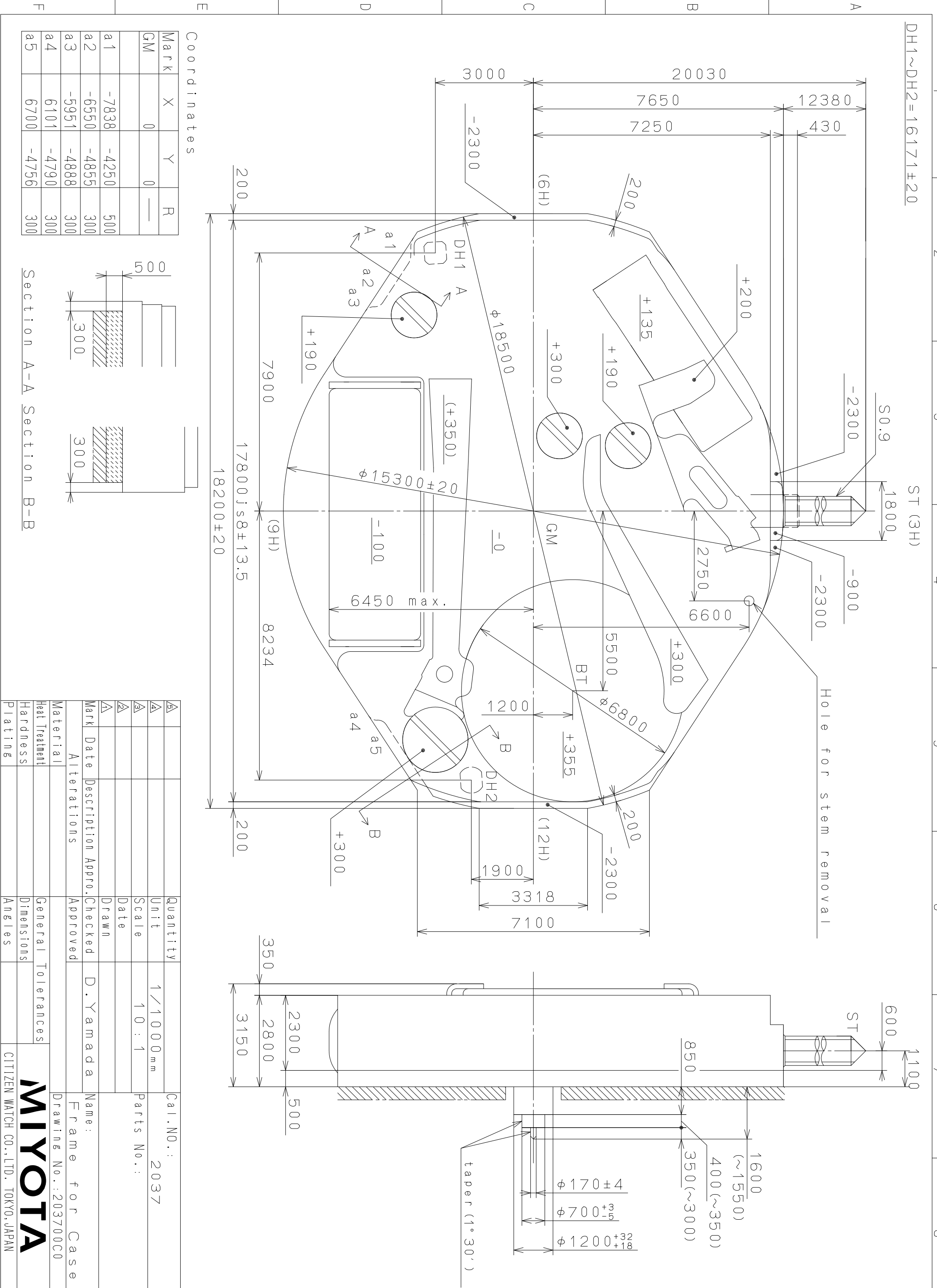
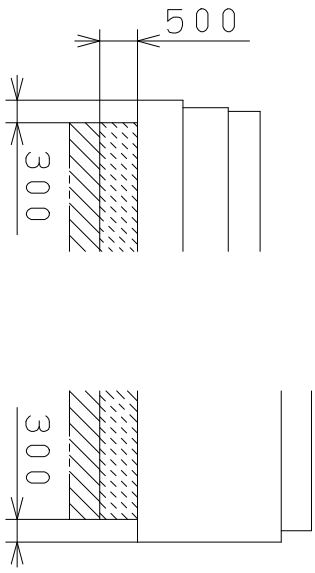


This drawing is provisional and subject to our reconfirmation and/or revision without notice.



Coordinates

| Mark | X | Y | R |
|------|-------|-------|-----|
| GM | 0 | 0 | — |
| a1 | -7838 | -4250 | 500 |
| a2 | -6550 | -4855 | 300 |
| a3 | -5951 | -4888 | 300 |
| a4 | 6101 | -4790 | 300 |
| a5 | 6700 | -4756 | 300 |



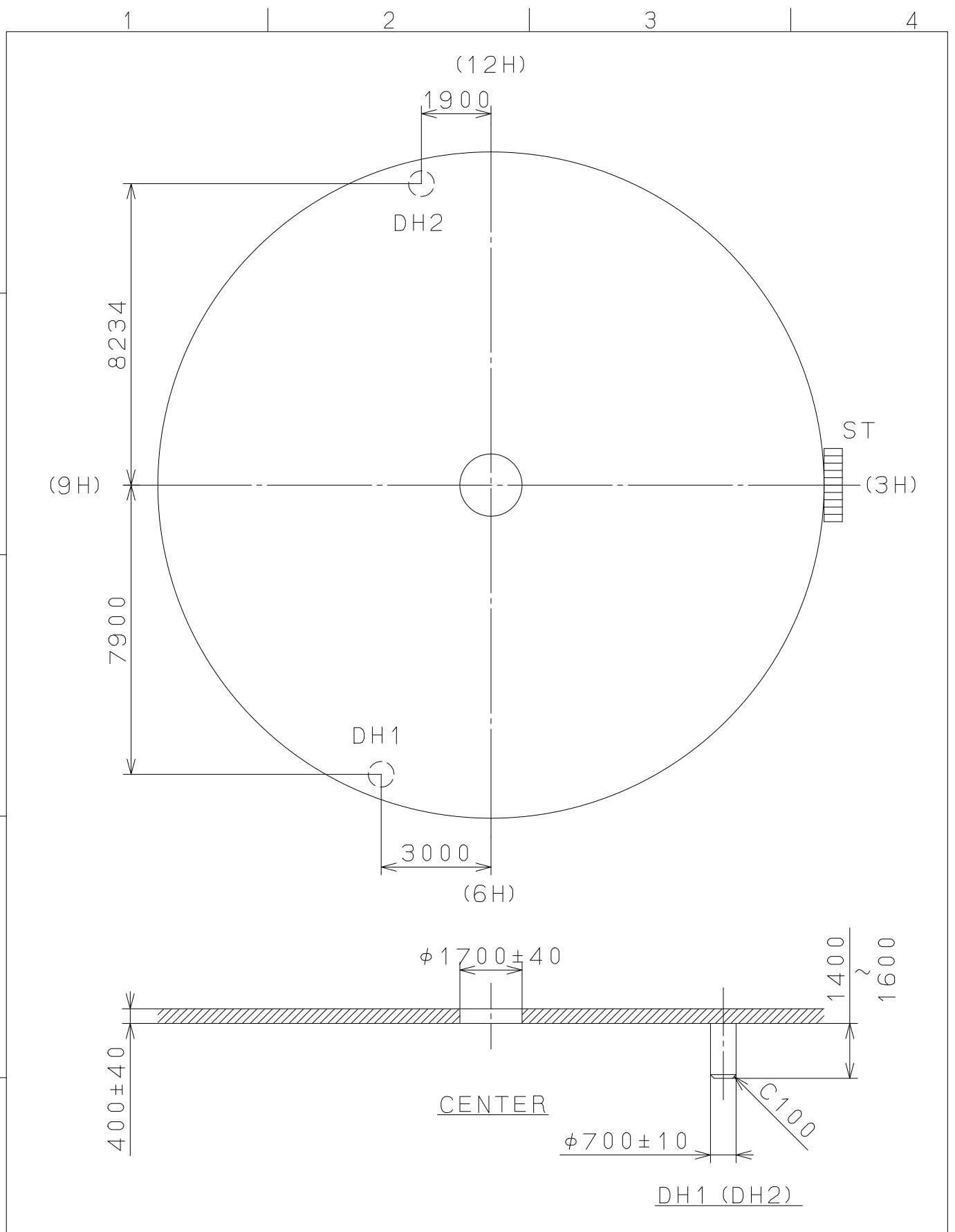
Section A-A Section B-B

| | | | |
|----------------|----------|-----------|-----------------------|
| Alterations | Quantity | Unit | Cal. NO.: |
| Material | 1 | 1/1000 mm | 2037 |
| Heat Treatment | Scale | 10 : 1 | Parts No.: |
| Hardness | Date | | |
| Plating | Drawn | | |
| | Checked | | |
| | Approved | D. Yamada | Name: |
| | | | Frame for Case |
| | | | Drawing No.: 203700C0 |
| | | | General Tolerances |
| | | | Dimensions |
| | | | Angles |

MIYOTA
CITIZEN WATCH CO., LTD. TOKYO, JAPAN

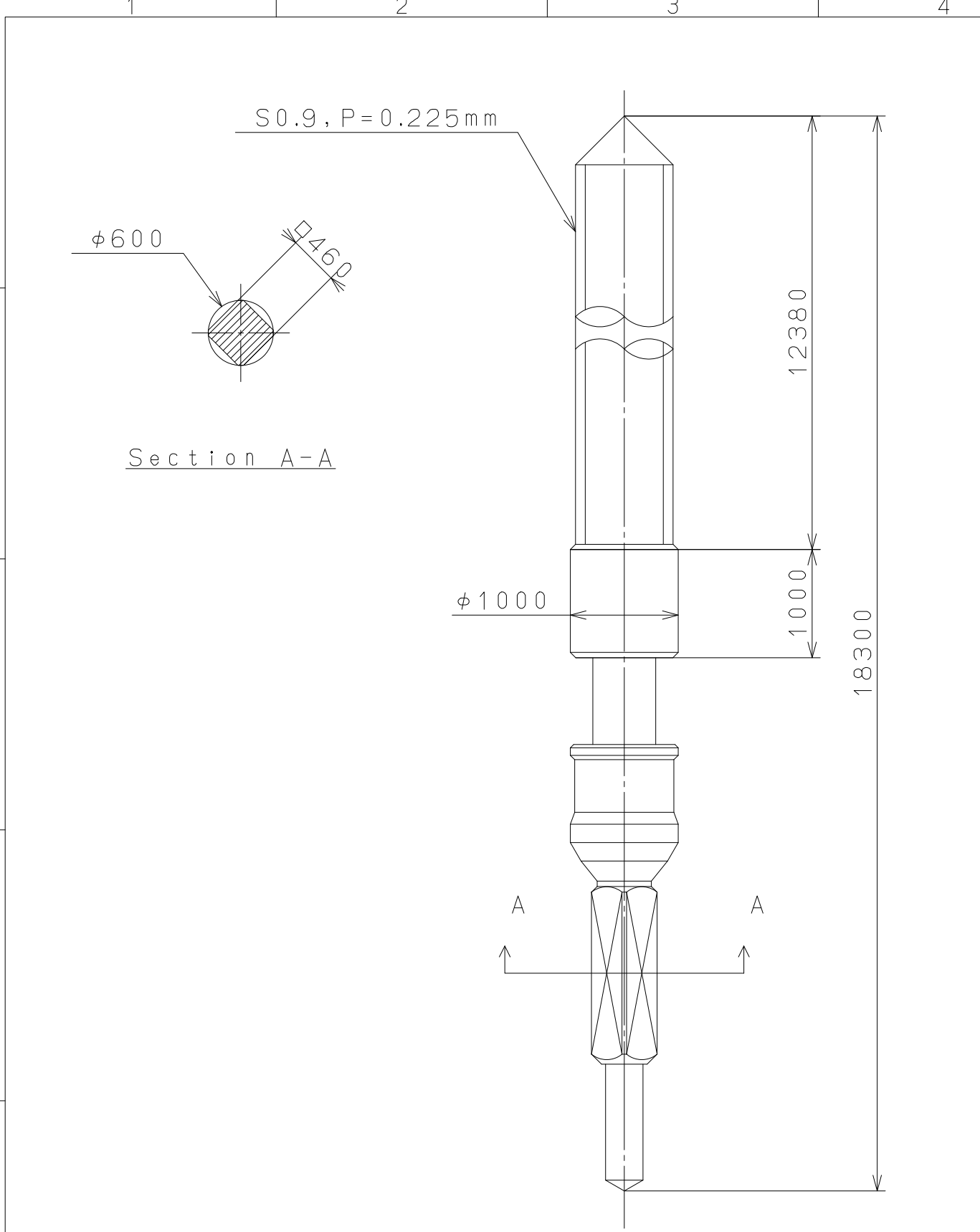
CONFIDENTIAL 2023/03/24 (13:58:51)

This drawing is provisional and subject to our reconfirmation and/or revision without notice.



| | | | | | |
|----------------|------|-------------|--------------------|-------------|--------------------------------------|
| △ | | | Quantity | | Cal.NO.: |
| △ | | | Unit | 1 / 1000 mm | 2037-00A |
| △ | | | Scale | 7 : 1 | Parts No.: |
| △ | | | Date | | |
| △ | | | Drawn | | |
| Mark | Date | Description | Appro. | Checked | Name: |
| | | Alterations | | Approved | D. Yamada |
| Material | | | | | Indications for Dial |
| Heat Treatment | | | | | Drawing No.: 203700D0 |
| Hardness | | | General Tolerances | | MIYOTA |
| Plating | | | Dimensions | | |
| | | | Angles | | CITIZEN WATCH CO., LTD. TOKYO, JAPAN |

This drawing is provisional and subject to our reconfirmation and/or revision without notice.



| | | | | | |
|----------------|------|-------------|--------------|-------------|---|
| △5 | | | Quantity | | Cal.NO.: |
| △4 | | | Unit | 1 / 1000 mm | |
| △3 | | | Scale | 20 : 1 | Parts No.: |
| △2 | | | Date | | 065-299 |
| △1 | | | Drawn | | |
| Mark | Date | Description | Appr. | Checked | D. Yamada |
| Alterations | | | Approved | Name: | |
| | | | SETTING STEM | | |
| Material | | | | | Drawing No.: 299000S0 |
| Heat Treatment | | | | | MIYOTA CITIZEN WATCH CO., LTD. TOKYO, JAPAN |
| Hardness | | | | | |
| Plating | | | | | |