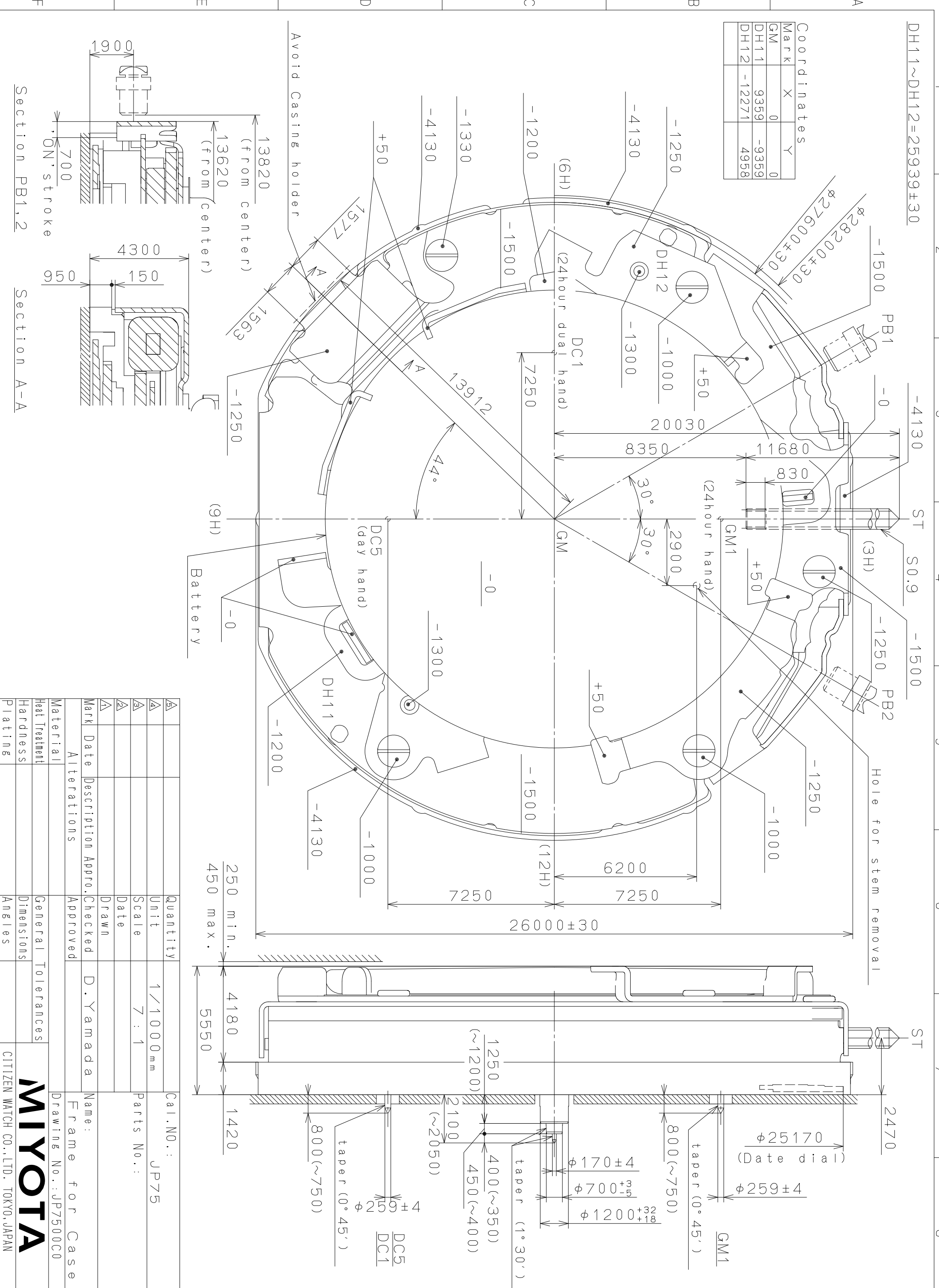


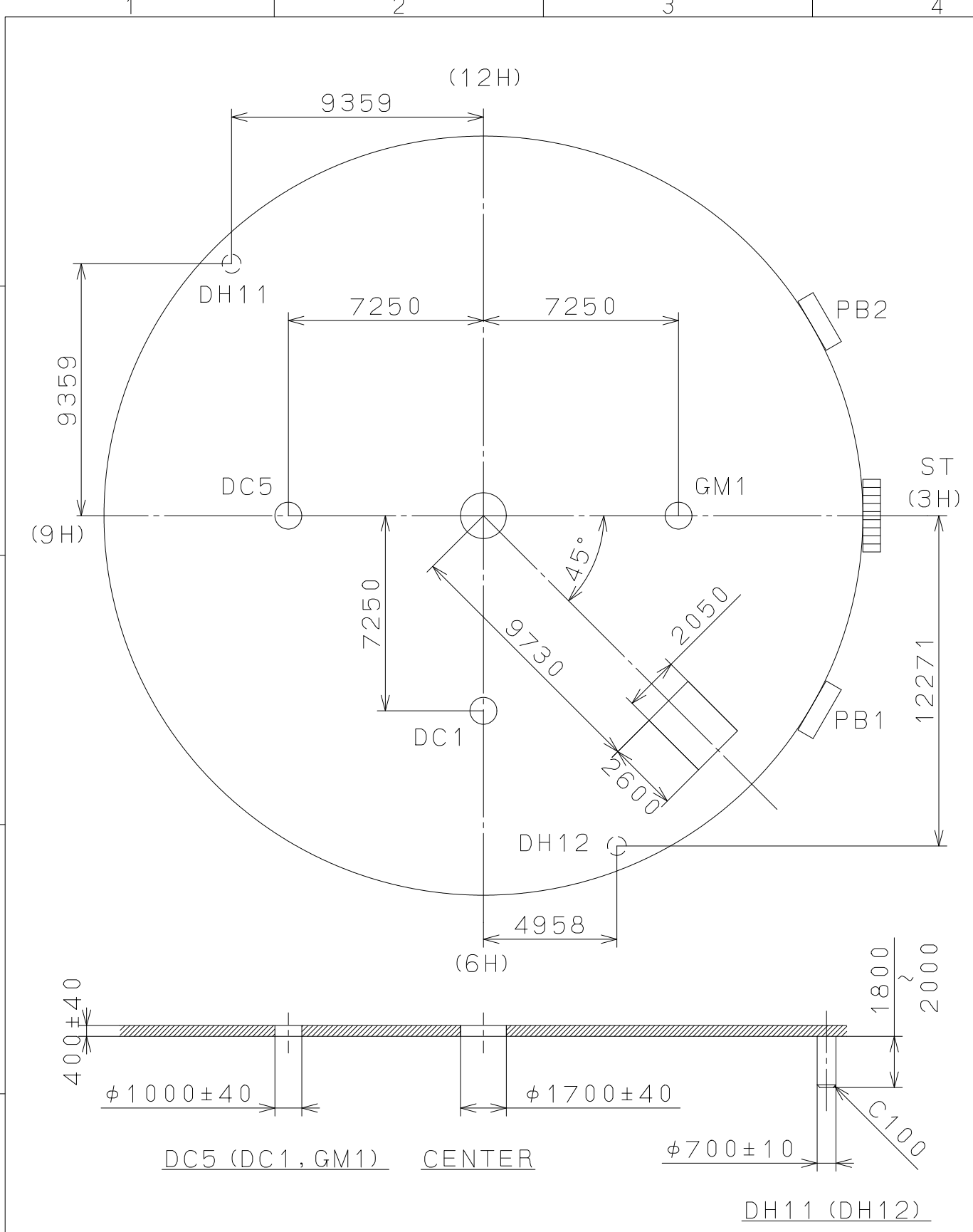
This drawing is provisional and subject to our reconfirmation and/or revision without notice.



| | | | | | | |
|----------------|-------------|--------------------|----------|------------|--------------|----------------|
| Material | Alterations | Quantity | Unit | 1/1000 mm | Cal. NO.: | JP75 |
| Heat Treatment | Date | Scale | 7:1 | Parts No.: | | |
| Hardness | Mark | Description | Checked | D. Yamada | Name: | Frame for Case |
| Plating | | Alterations | Approved | | Drawing No.: | JP7500C0 |
| | | General Tolerances | | | | |
| | | Dimensions | | | | |
| | | Angles | | | | |

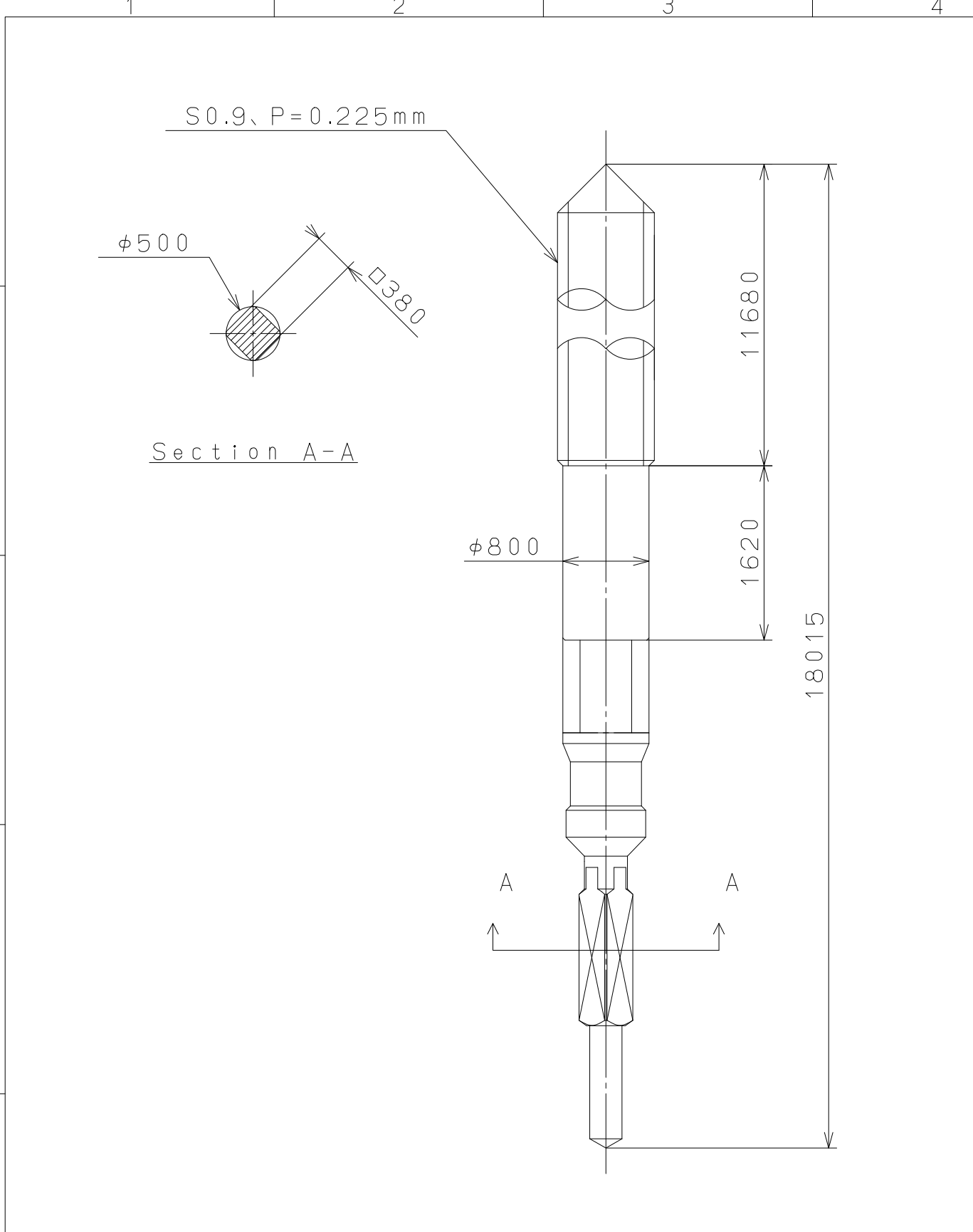
MIYOTA
CITIZEN WATCH CO., LTD. TOKYO, JAPAN

This drawing is provisional and subject to our reconfirmation and/or revision without notice.



| | | | | | |
|----------------|------|-------------|--------------------|-------------|--------------------------------------|
| △ | | | Quantity | | Cal.NO.: |
| △ | | | Unit | 1 / 1000 mm | JP75-00C |
| △ | | | Scale | 5 : 1 | Parts No.: |
| △ | | | Date | | |
| △ | | | Drawn | | |
| Mark | Date | Description | Appr. | Checked | Name: |
| | | Alterations | Approved | D. Yamada | Indications for Dial |
| Material | | | | | Drawing No.: JP7500D0 |
| Heat Treatment | | | General Tolerances | | MIYOTA |
| Hardness | | | Dimensions | | |
| Plating | | | Angles | | |
| | | | | | CITIZEN WATCH CO., LTD. TOKYO, JAPAN |

This drawing is provisional and subject to our reconfirmation and/or revision without notice.



| | | | | | |
|--------------------|------|-------------|----------|--------------------|--------------------------------------|
| ⑤ | | | Quantity | | Cal.NO.: |
| ④ | | | Unit | 1 / 1000 mm | |
| ③ | | | Scale | 20 : 1 | Parts No.: |
| ② | | | Date | | 065-505 |
| ① | | | Drawn | | |
| Mark | Date | Description | Appro. | Checked | D. Yamada |
| Alterations | | | Approved | Name: SETTING STEM | |
| Material | | | | | Drawing No.: 505000S0 |
| Heat Treatment | | | | | MIYOTA |
| Hardness | | | | | |
| Plating | | | | | |
| General Tolerances | | | | | CITIZEN WATCH CO., LTD. TOKYO, JAPAN |
| Dimensions | | | | | |
| Angles | | | | | |