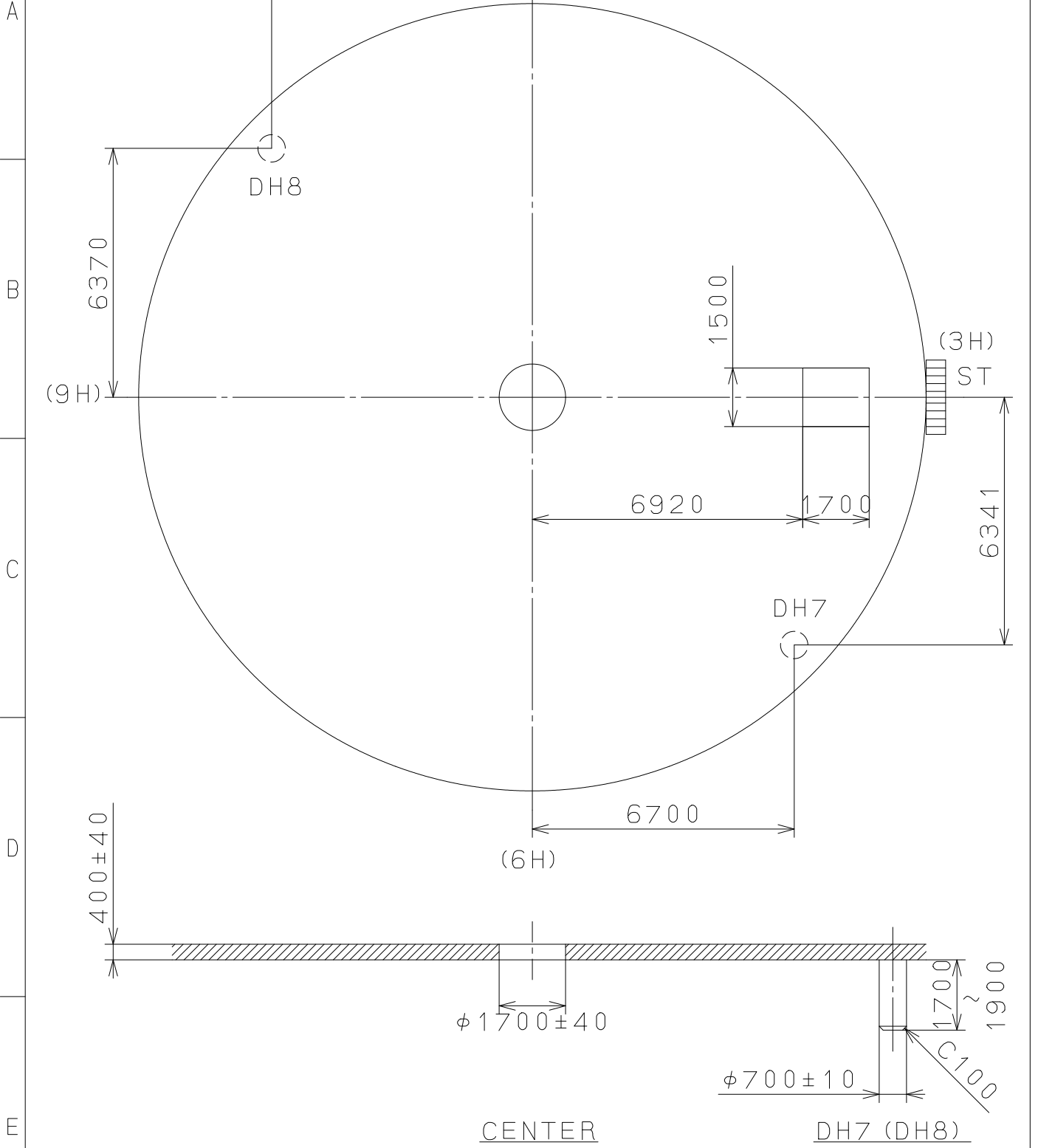


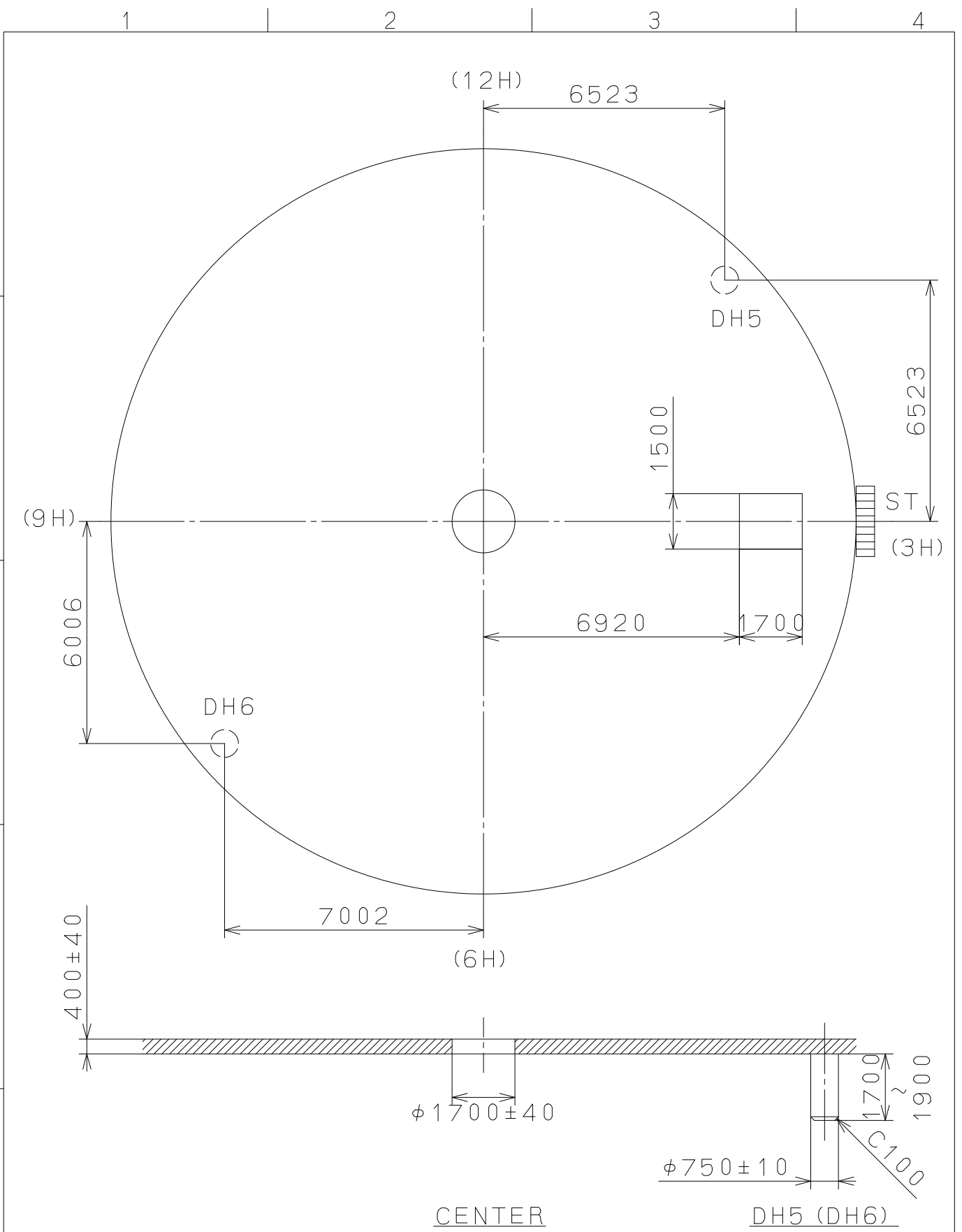
This drawing is provisional and subject to our reconfirmation and/or revision without notice.



| | | | | | |
|----------------|------|-------------|----------|-------------|--|
| △ | | | Quantity | | Cal.NO.: |
| △ | | | Unit | 1 / 1000 mm | GN12-10A |
| △ | | | Scale | 7 : 1 | Parts No.: |
| △ | | | Date | | |
| △ | | | Drawn | | |
| Mark | Date | Description | Appro. | Checked | Name: |
| | | Alterations | | Approved | D. Yamada |
| Material | | | | | Indications for Dial |
| Heat Treatment | | | | | Drawing No.: GN1201D0 |
| Hardness | | | | | <div style="text-align: center;">MIYOTA</div> |
| Plating | | | | | |

CONFIDENTIAL 2023/03/23 (09:25:08)

This drawing is provisional and subject to our reconfirmation and/or revision without notice.



| | | | | | | |
|----------------|------|-------------|----------|--|-------|--|
| ⑤ | | | Quantity | Cal.NO.: GN12-10A | | |
| ④ | | | Unit | 1 / 1000 mm | | |
| ③ | | | Scale | 7 : 1 | | |
| ② | | | Date | | | |
| ① | | | Drawn | D.Yamada | | |
| Mark | Date | Description | Appro. | Checked | Name: | |
| Alterations | | | Approved | Indications for Dial | | |
| Material | | | | Drawing No.: GN1200D0 | | |
| Heat Treatment | | | | <div style="font-size: 2em; font-weight: bold; margin-bottom: 5px;">MIYOTA</div> <small>CITIZEN WATCH CO., LTD. TOKYO, JAPAN</small> | | |
| Hardness | | | | | | |
| Plating | | | | | | |