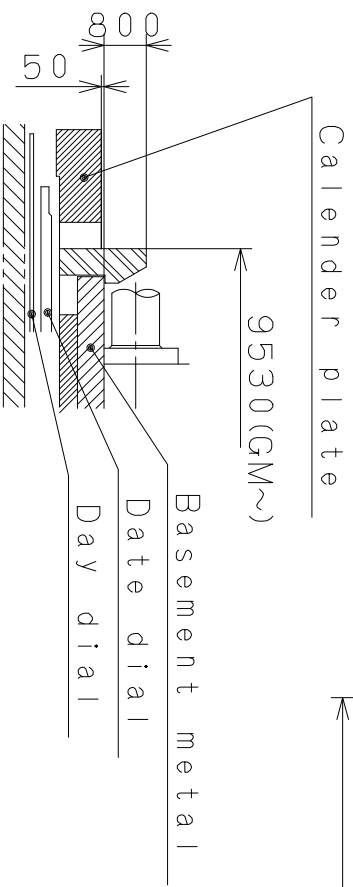
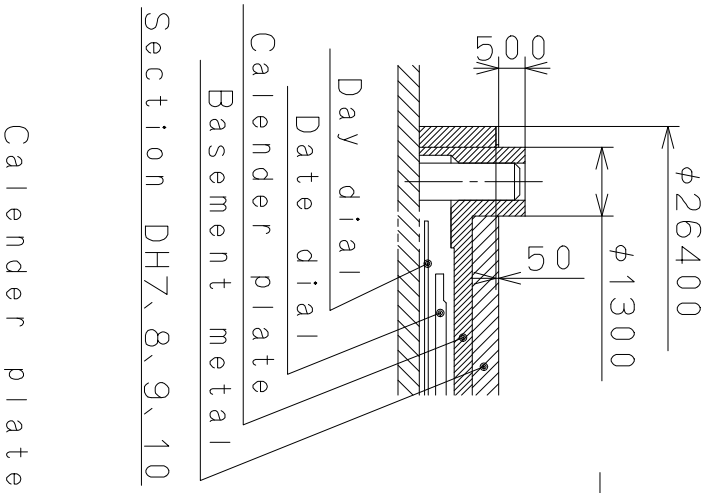
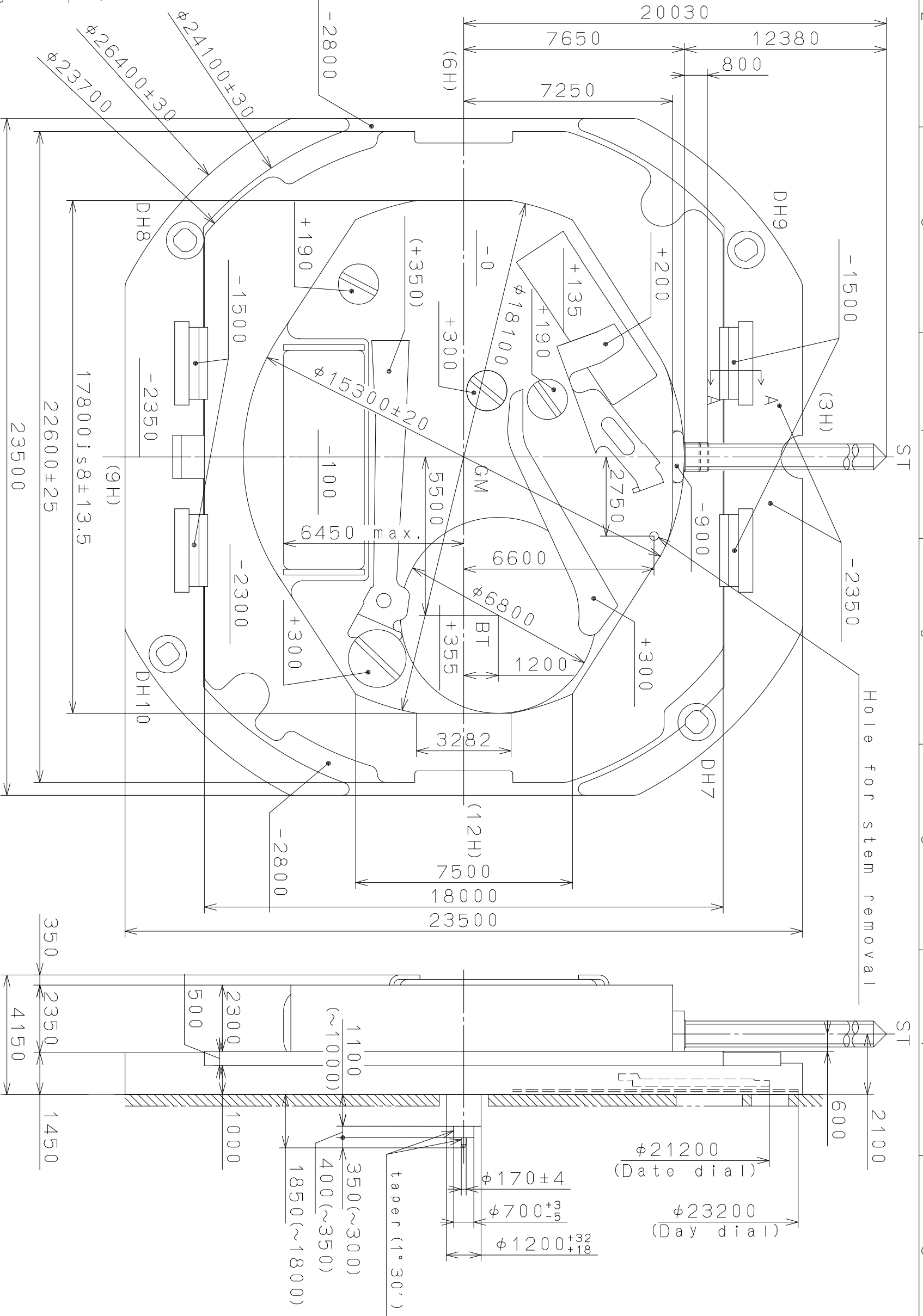


DH7~DH8=24390±20  
DH9~DH10=24493±20

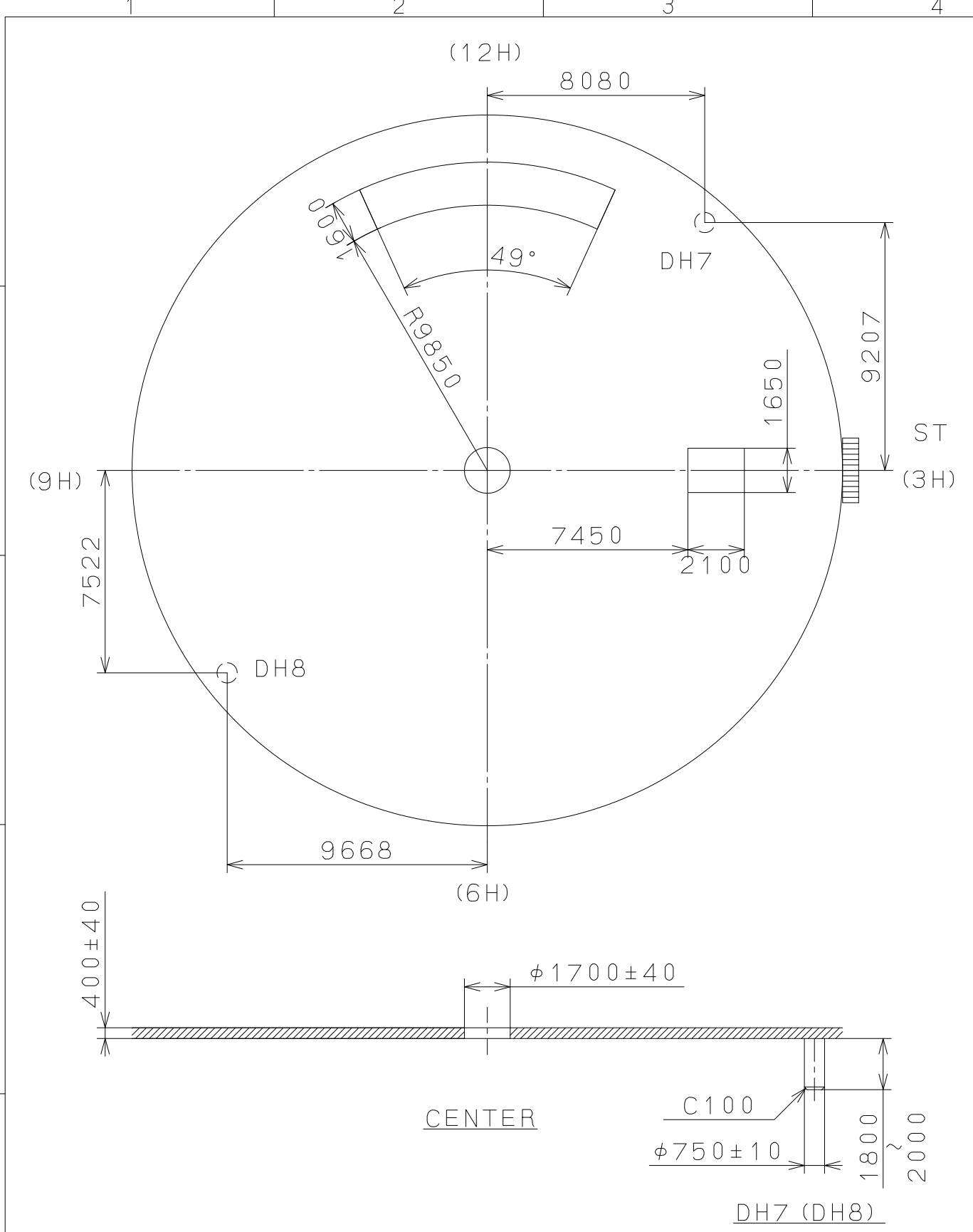
Coordinates		
Mark	X	Y
GM	0	0
DH7	9207	8080
DH8	-7522	-9668
DH9	-7193	9800
DH10	6848	-10269



Material	Alterations	Quantity	Cal. NO.:
Heat Treatment	Date	Unit	1/1000 mm
Hardness	Description	Scale	7 : 1
Plating	Appro.	Drawn	Parts No.:
	Checked	D. Yamada	2350
	Approved	Name:	Frame for Case
		Drawing No.:	235000C0

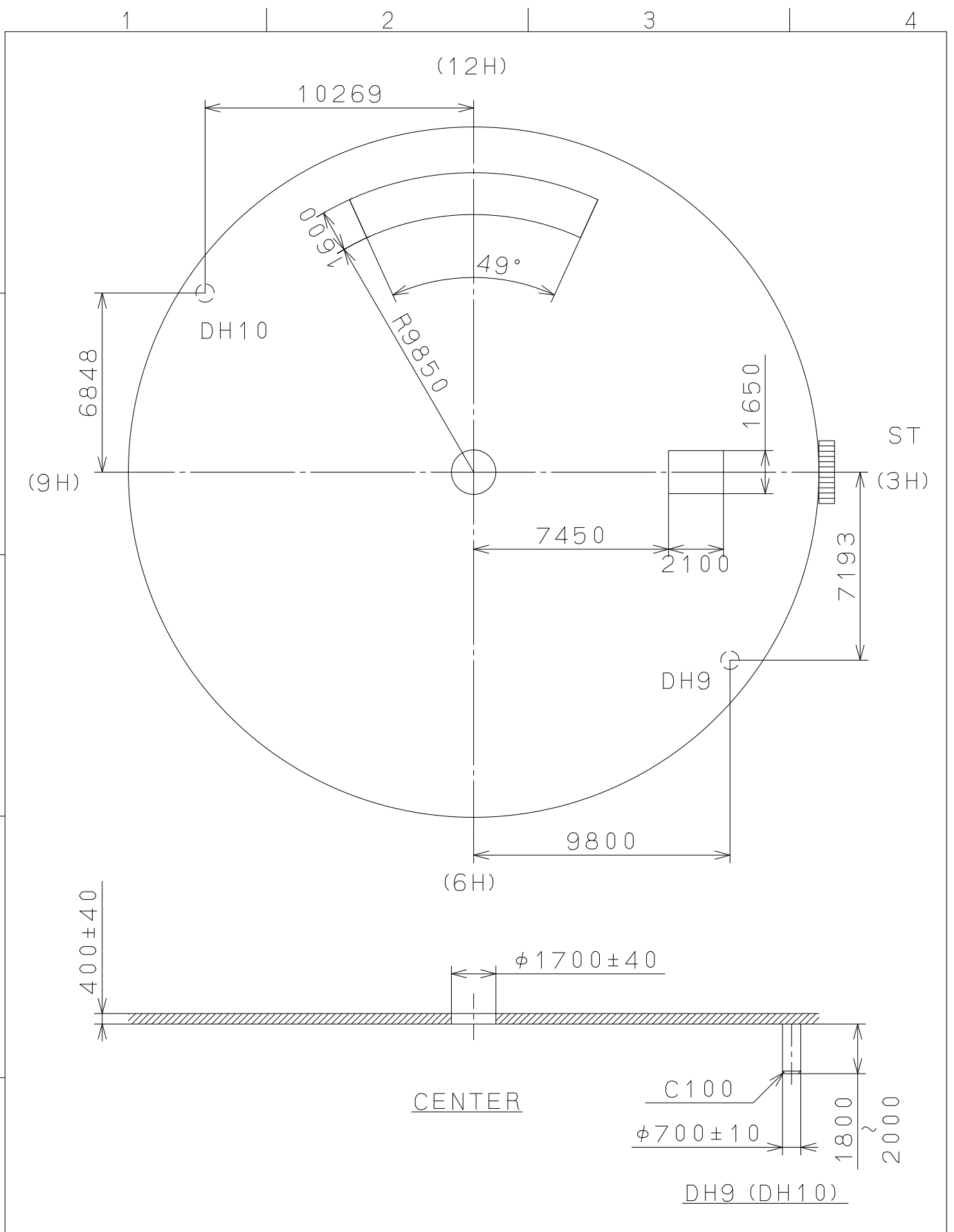
**MİYOTA**  
CITIZEN WATCH CO., LTD. TOKYO, JAPAN

This drawing is provisional and subject to our reconfirmation and/or revision without notice.



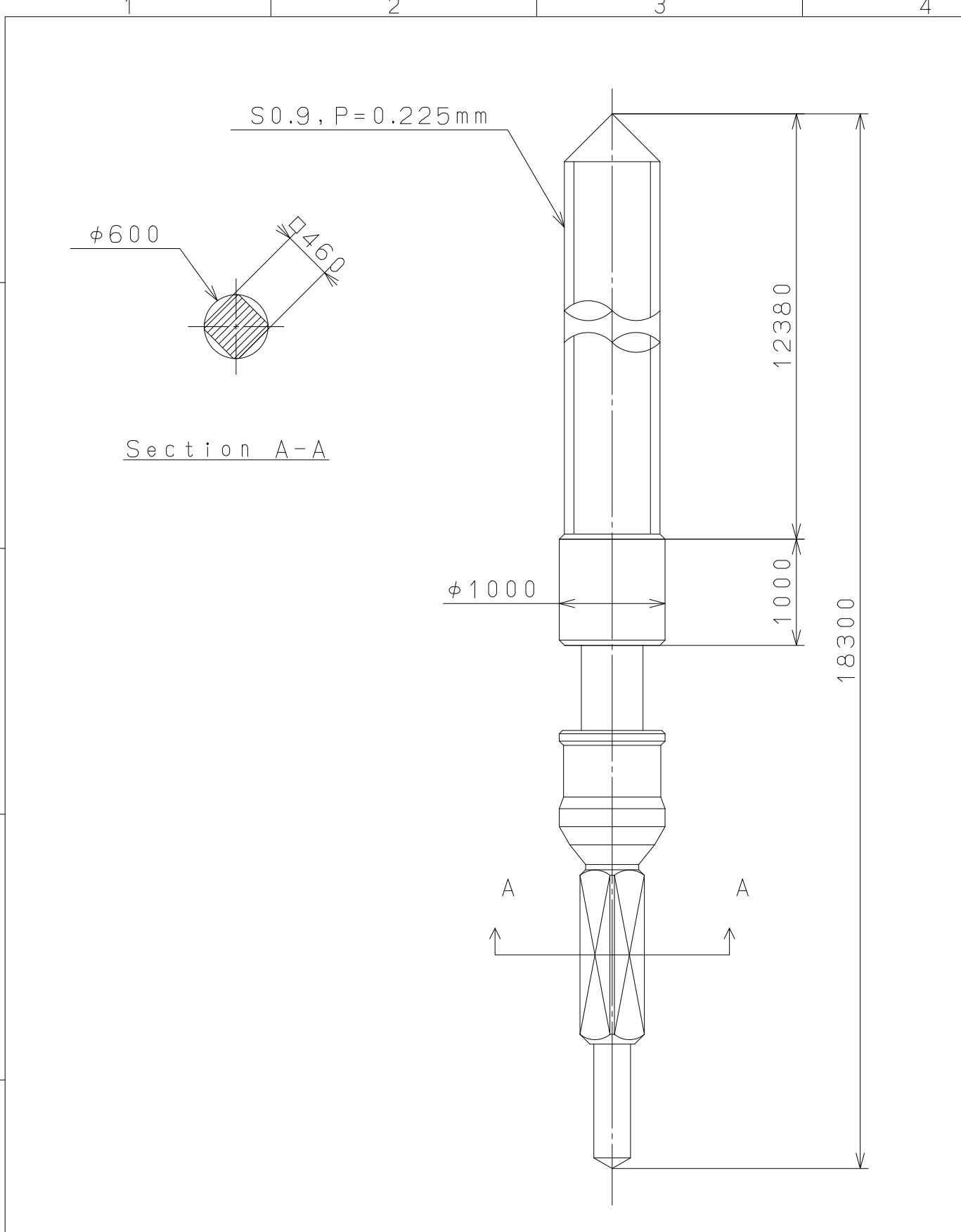
△			Quantity		Cal.NO.:
△			Unit	1 / 1000 mm	2350-20A
△			Scale	5 : 1	Parts No.:
△			Date		
△			Drawn		
Mark	Date	Description	Appr.	Checked	Name:
		Alterations	Approved	D. Yamada	Indications for Dial
Material					Drawing No.: 235000D0
Heat Treatment			General Tolerances		<b>MIYOTA</b>
Hardness			Dimensions		
Plating			Angles		
					CITIZEN WATCH CO., LTD. TOKYO, JAPAN

This drawing is provisional and subject to our reconfirmation and/or revision without notice.



△			Quantity		Cal.NO.:	
△			Unit	1 / 1000 mm		2350-20A
△			Scale	5 : 1	Parts No.:	
△			Date			
△			Drawn			
Mark	Date	Description	Appro.	Checked	D. Yamada	Name:
Alterations			Approved			Indications for Dial
Material					Drawing No.: 235001D0	
Heat Treatment					<b>MIYOTA</b> CITIZEN WATCH CO., LTD. TOKYO, JAPAN	
Hardness						
Plating						

This drawing is provisional and subject to our reconfirmation and/or revision without notice.



△5			Quantity		Cal.NO.:
△4			Unit	1 / 1000 mm	
△3			Scale	20 : 1	Parts No.:
△2			Date		065-299
△1			Drawn		
Mark	Date	Description	Appro.	Checked	D. Yamada
Alterations			Approved	Name:	
			SETTING STEM		
Material					Drawing No.: 299000S0
Heat Treatment					<b>MIYOTA</b> CITIZEN WATCH CO., LTD. TOKYO, JAPAN
Hardness					
Plating					