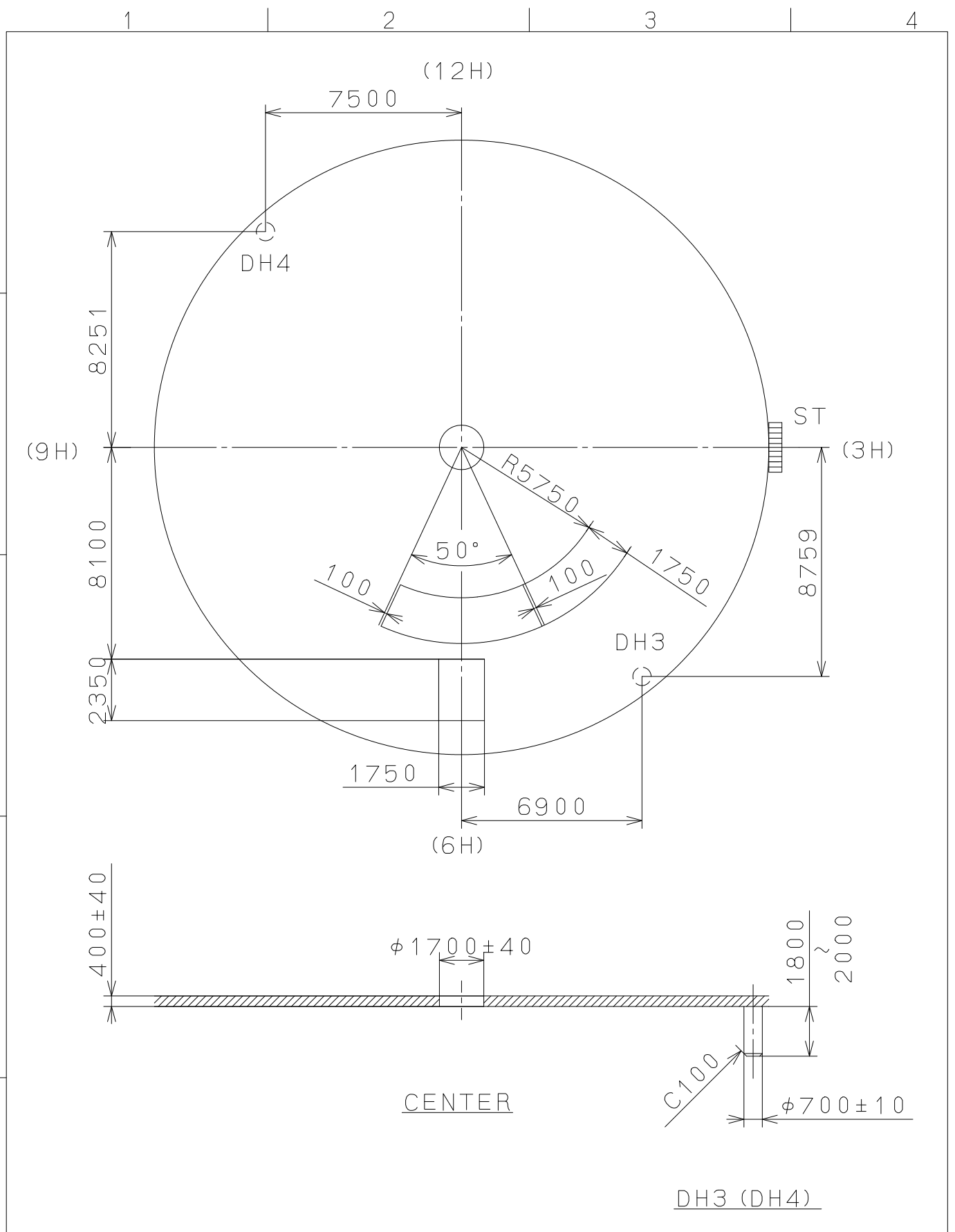


CONFIDENTIAL 2023/03/22 (16:03:48)

This drawing is provisional and subject to our reconfirmation and/or revision without notice.



⑤			Quantity		Cal. NO.:
④			Unit	1 / 1000 mm	GM02-1XX
③			Scale	5 : 1	Parts No.:
②			Date		
①			Drawn		
Mark	Date	Description	Appro.	Checked	Name:
		Alterations		Approved	D. Yamada
					Indications for Dial
Material					Drawing No.: GM0208D0
Heat Treatment			General Tolerances		MIYOTA
Hardness			Dimensions		
Plating			Angles		

CITIZEN WATCH CO., LTD. TOKYO, JAPAN