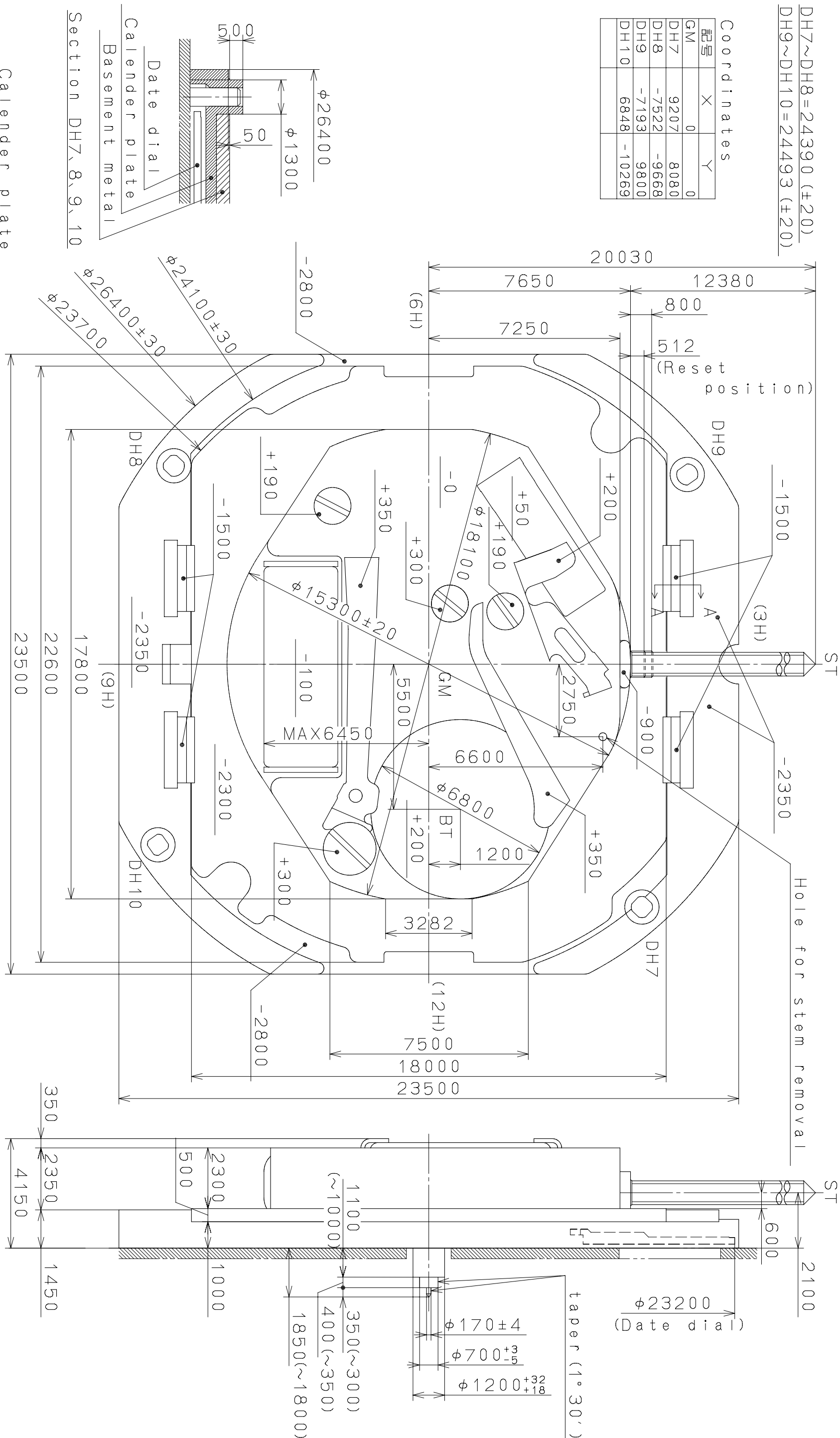


DH7~DH8=24390 (±20)  
 DH9~DH10=24493 (±20)

| Coordinates |       |        |
|-------------|-------|--------|
| 記号          | X     | Y      |
| GM          | 0     | 0      |
| DH7         | 9207  | 8080   |
| DH8         | -7522 | -9668  |
| DH9         | -7193 | 9800   |
| DH10        | 6848  | -10269 |



Section DH7, 8, 9, 10

Calendar plate

Basement metal

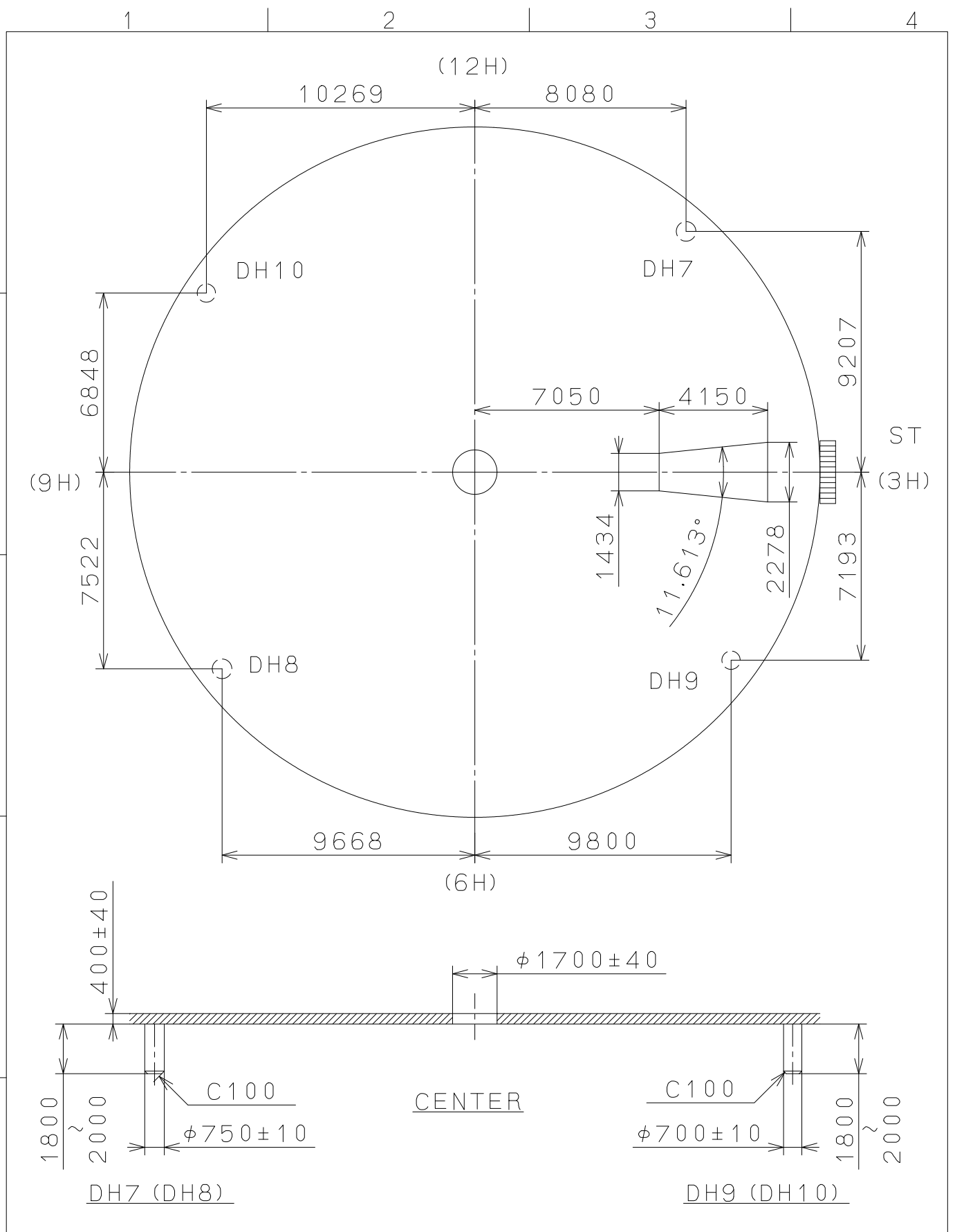
Date dial

Section A-A (other hook)

|                |             |            |                       |
|----------------|-------------|------------|-----------------------|
| Material       | Alterations | Quantity   | Cal. NO.:             |
| Heat Treatment | Date        | Unit       | 2353                  |
| Hardness       | Drawn       | Scale      | 1/1000 mm             |
| Plating        | Checked     | Dimensions | 7:1                   |
|                | Approved    | Angles     |                       |
|                |             |            | Parts No.:            |
|                |             |            | M. Fukuda             |
|                |             |            | Name:                 |
|                |             |            | Frame for Case        |
|                |             |            | Drawing No.: 2353C000 |

**MIYOTA**  
 CITIZEN WATCH CO., LTD. TOKYO, JAPAN

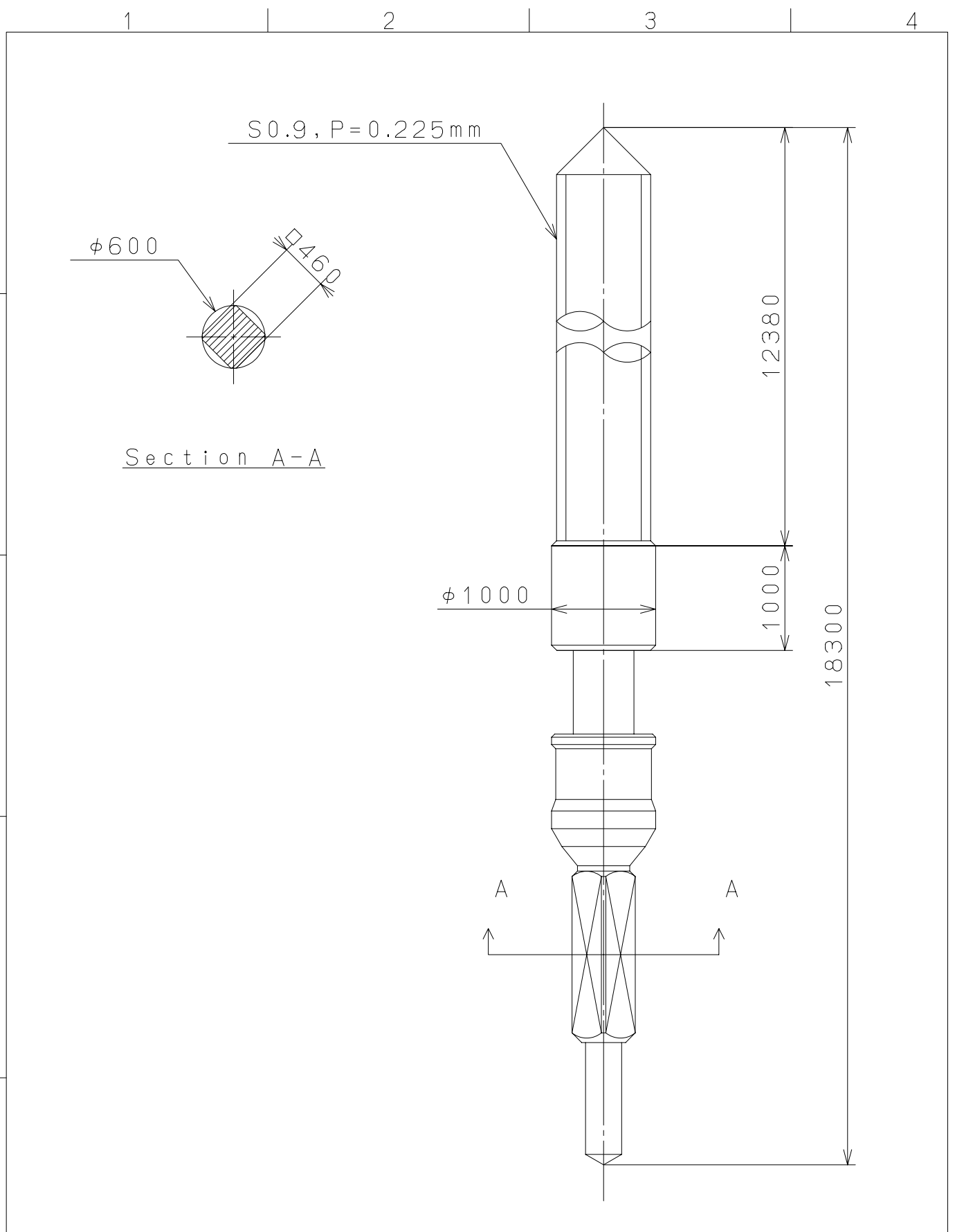
This drawing is provisional and subject to our reconfirmation and/or revision without notice.



|                |      |             |          |          |                      |
|----------------|------|-------------|----------|----------|----------------------|
| △              |      |             | Quantity |          | Cal.NO.:             |
| △              |      |             | Unit     | 1/1000mm | 2353-20A             |
| △              |      |             | Scale    | 5:1      | Parts No.:           |
| △              |      |             | Date     |          |                      |
| △              |      |             | Drawn    |          |                      |
| Mark           | Date | Description | Appr.    | Checked  | M. Kobayashi         |
| Alterations    |      |             | Approved | Name:    |                      |
| Material       |      |             |          |          | Indications for Dial |
| Heat Treatment |      |             |          |          | Drawing No.:2353D001 |
| Hardness       |      |             |          |          | <b>MIYOTA</b>        |
| Plating        |      |             |          |          |                      |

2007/03/16 (09:59:29)

This drawing is provisional and subject to our reconfirmation and/or revision without notice.



|                |      |             |          |                                      |            |
|----------------|------|-------------|----------|--------------------------------------|------------|
| △              |      |             | Quantity |                                      | Cal.NO.:   |
| △              |      |             | Unit     | 1 / 1000 mm                          |            |
| △              |      |             | Scale    | 20 / 1                               | Parts No.: |
| △              |      |             | Date     |                                      | 065-299    |
| △              |      |             | Drawn    |                                      | Name:      |
| Mark           | Date | Description | Appr.    | Checked                              | T. Hiruta  |
| Alterations    |      |             | Approved | SETTING STEM                         |            |
| Material       |      |             |          | Drawing No.: 2990S000                |            |
| Heat Treatment |      |             |          | General Tolerances                   |            |
| Hardness       |      |             |          | Dimensions                           |            |
| Plating        |      |             |          | Angles                               |            |
|                |      |             |          | <b>MIYOTA</b>                        |            |
|                |      |             |          | CITIZEN WATCH CO., LTD. TOKYO, JAPAN |            |