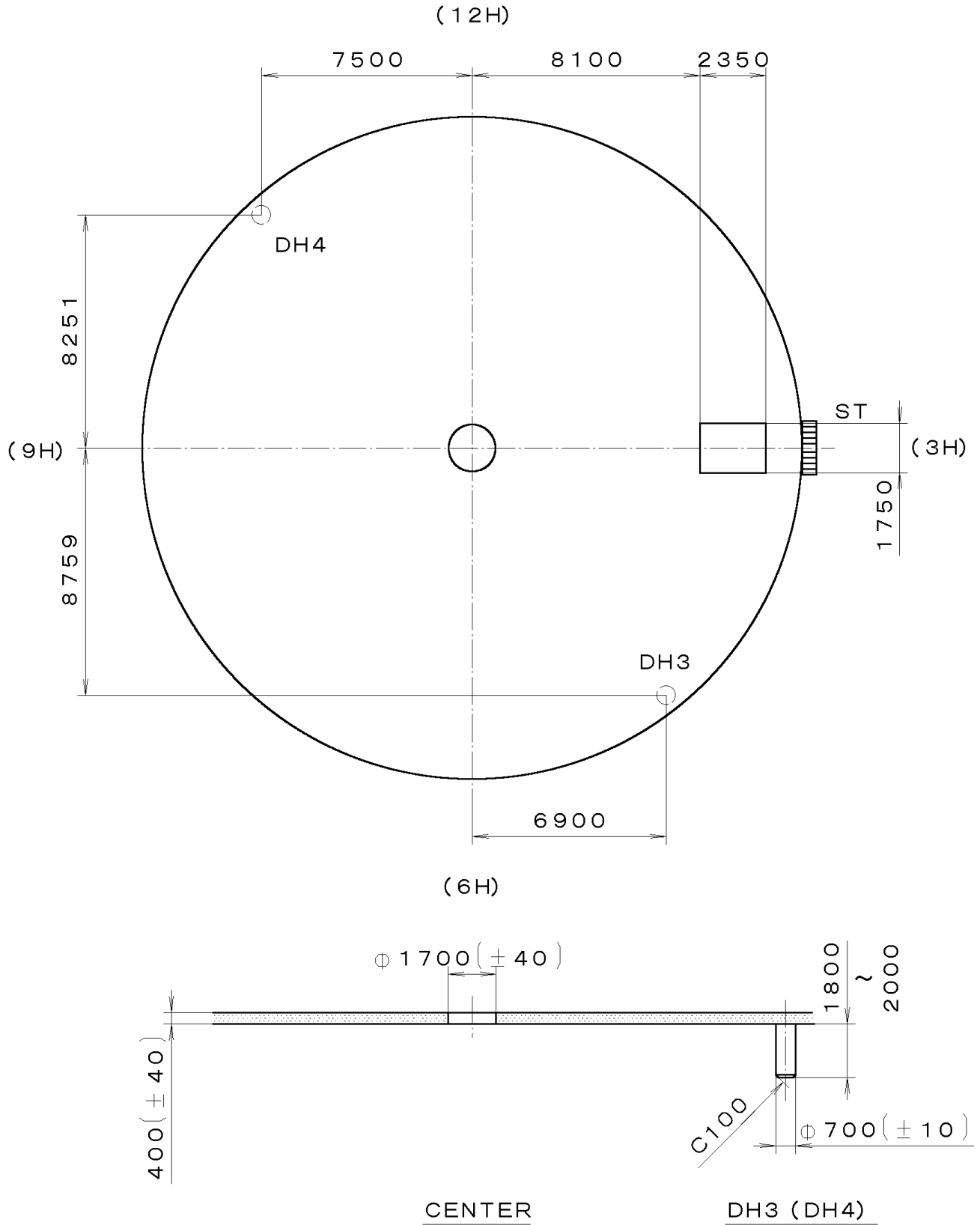




This drawing is provisional and subject to our reconfirmation and/or revision without notice.

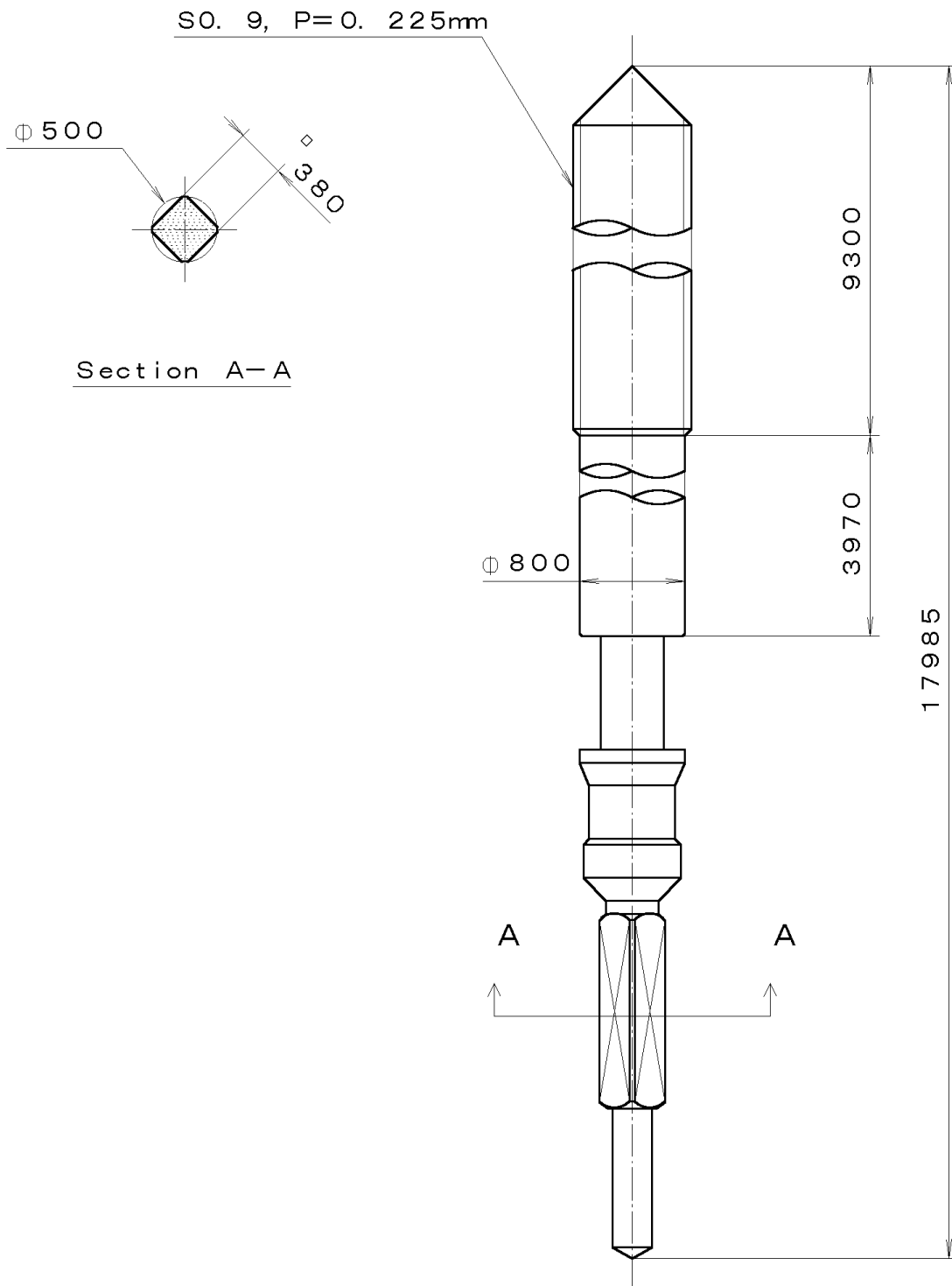
\*\*\* T I P W 2S60-00A (01) \*\*\* (2100 1121) 00-06-29



7		Quantity		Cal. No. :	2S60-00A
6		Unit	1/1000 mm	Parts:	
5		Scale	5:1	Name:	Indications for Dial
4		Date		Drawing No. :	
3		Drawn			
2		Checked	T. Hiruta		
1		Approved			
Material					
Heat Treatment		General Tolerances			
Hardness		Dimensions			
Plating		Angles			

This drawing is provisional and subject to our reconfirmation and/or revision without notice.

065-501 (01) \*\*\* (2100 1121 A-01 A-01 ) 00-06-22



7			Quantity		Cal. No. :
6			Unit	1/1000 mm	Parts:
5			Scale	20:1	
4			Date		065-501
3			Drawn		
2			Checked	T. Hiruta	Name:
1			Approved		SETTING STEM
Material					Drawing No. : 5010S000
Heat Treatment			General Tolerances		
Hardness			Dimensions		
Plating			Angles		