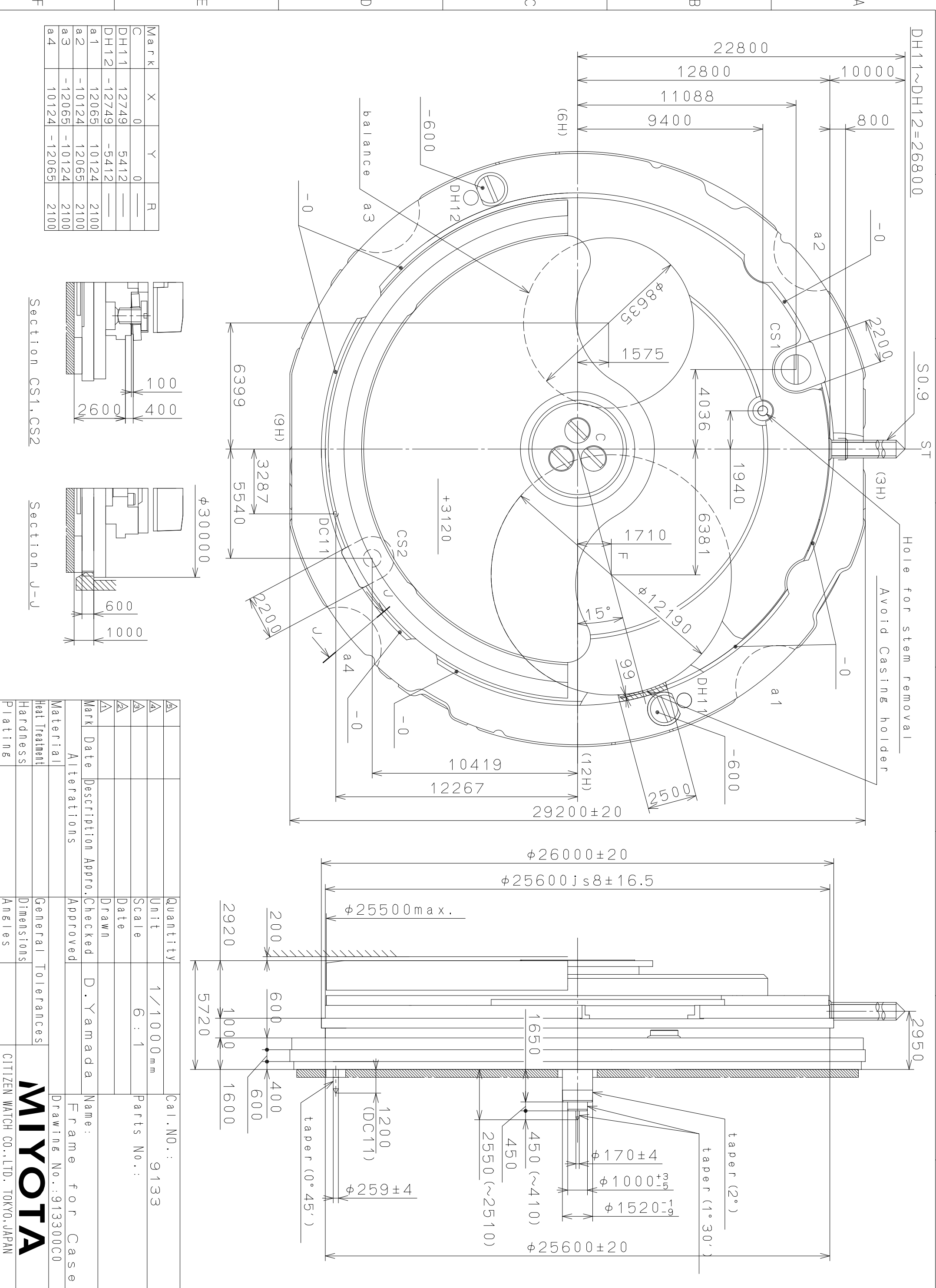
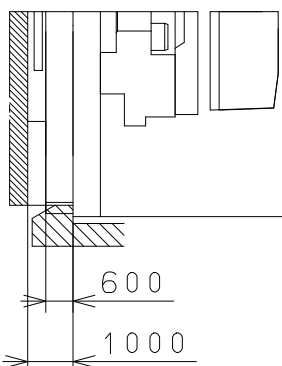
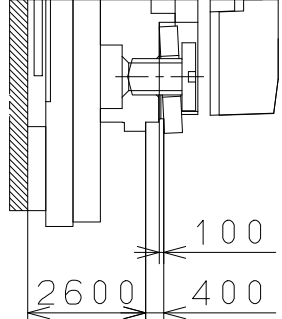


This drawing is provisional and subject to our reconfirmation and/or revision without notice.



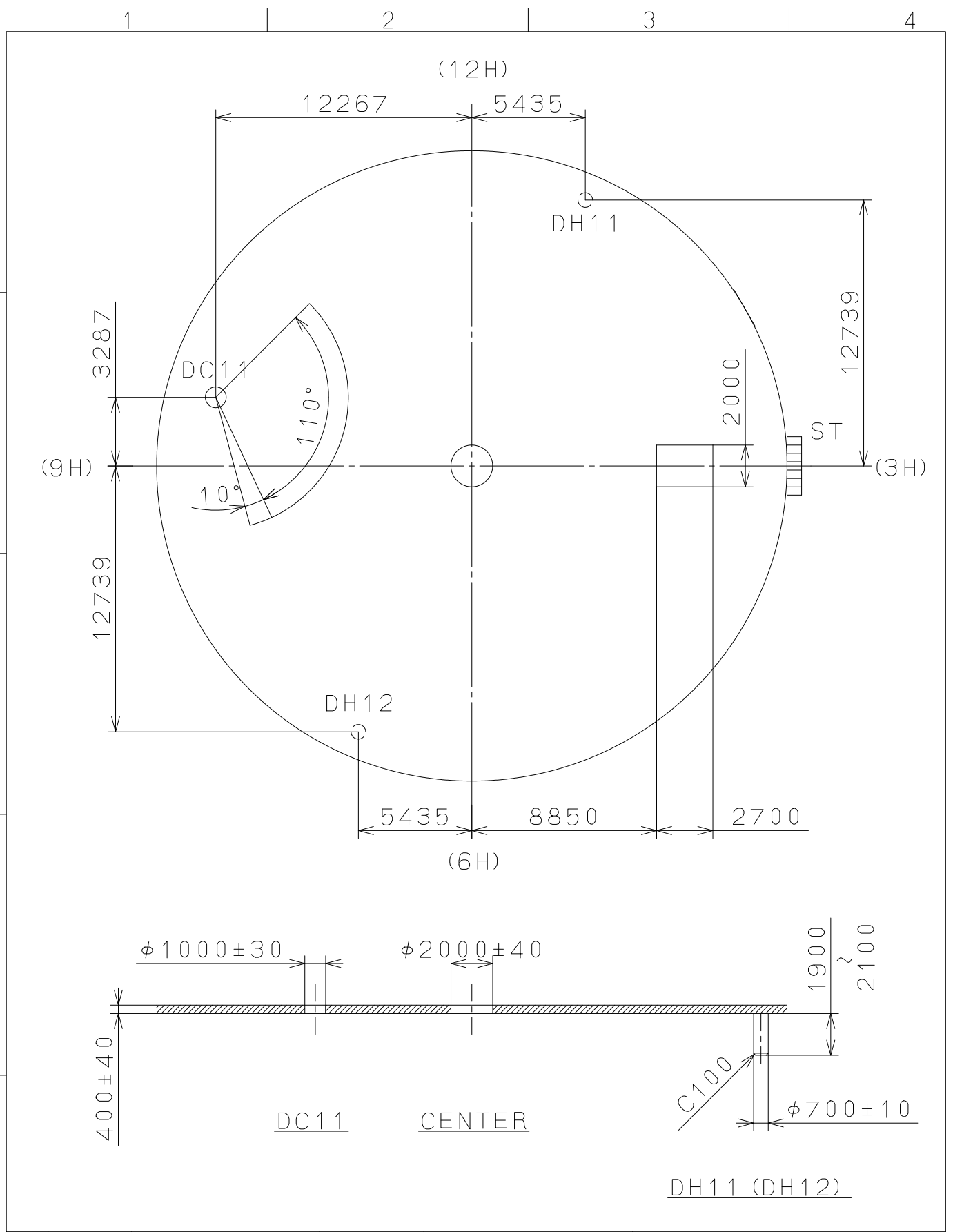
Mark	X	Y	R
C	0	0	—
DH11	12749	5412	—
DH12	-12749	-5412	—
a1	12065	10124	2100
a2	-10124	12065	2100
a3	-12065	-10124	2100
a4	10124	-12065	2100



Quantity	Unit	1/1000 mm	Cal. NO.:	9133
Scale	Date	6:1	Parts No.:	
Drawn	Checked		Name:	Frame for Case
Approved	Approved		D. Yamada	Drawing No.: 913300C0
Material	Alterations			
Heat Treatment				
Hardness				
Plating				
General Tolerances				
Dimensions				
Angles				

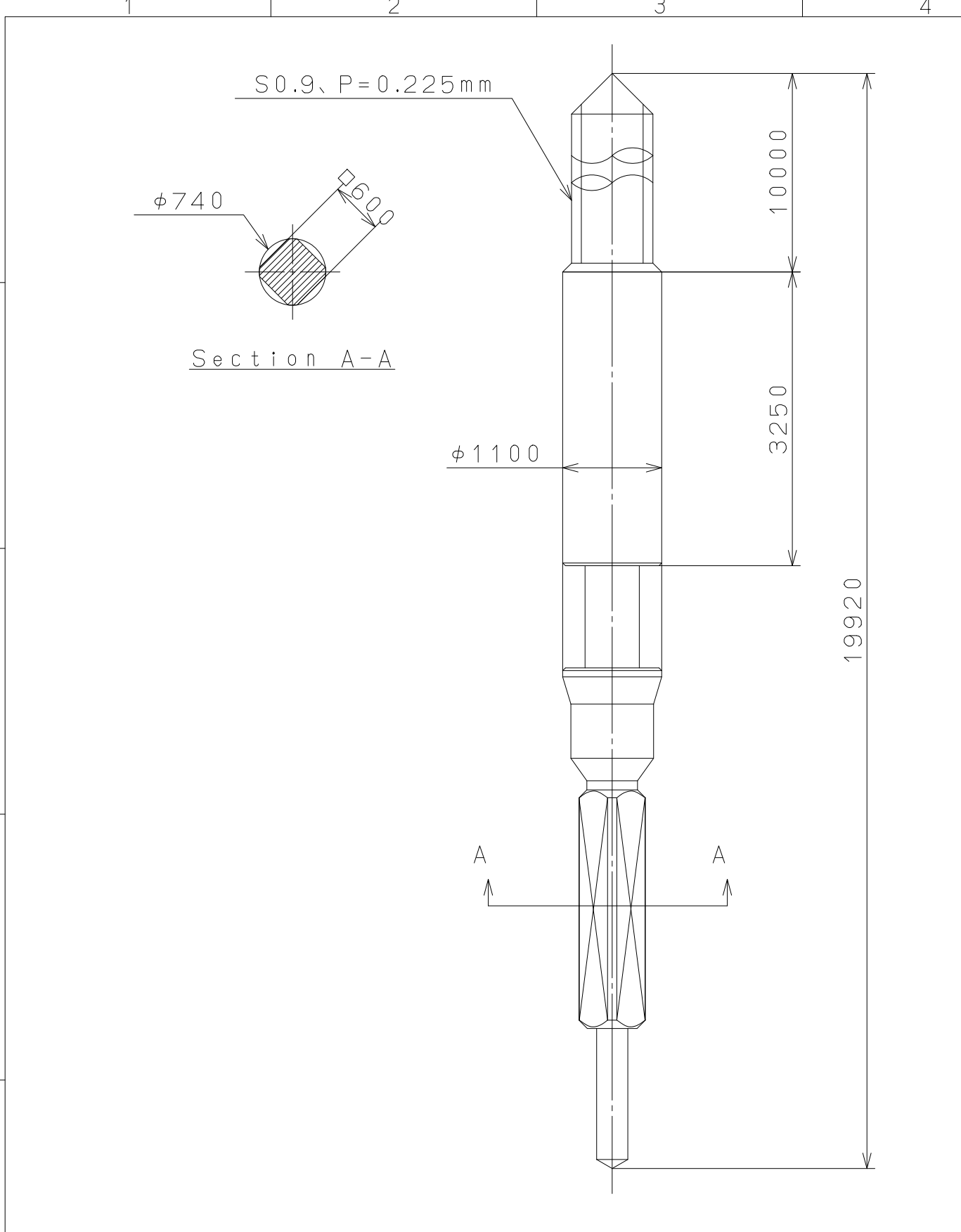
MIYOTA
CITIZEN WATCH CO., LTD. TOKYO, JAPAN

This drawing is provisional and subject to our reconfirmation and/or revision without notice.



△			Quantity		Cal.NO.:
△			Unit	1 / 1000 _{mm}	9133-20A
△			Scale	4 : 1	Parts No.:
△			Date		
△			Drawn		
Mark	Date	Description	Appr.	Checked	Name:
		Alterations	Approved	D. Yamada	
Material					Indications for Dial
Heat Treatment					Drawing No.: 913300D0
Hardness					MIYOTA
Plating					

This drawing is provisional and subject to our reconfirmation and/or revision without notice.



△			Quantity		Cal.NO.:
△			Unit	1 / 1000 mm	
△			Scale	17 : 1	Parts No.:
△			Date		065-A05
△			Drawn		Name:
Mark	Date	Description	Appr.	Checked	D. Yamada
Alterations			Approved	SETTING STEM	
Material					Drawing No.: A05000S0
Heat Treatment	General Tolerances				MIYOTA
Hardness	Dimensions				
Plating	Angles				
					CITIZEN WATCH CO., LTD. TOKYO, JAPAN