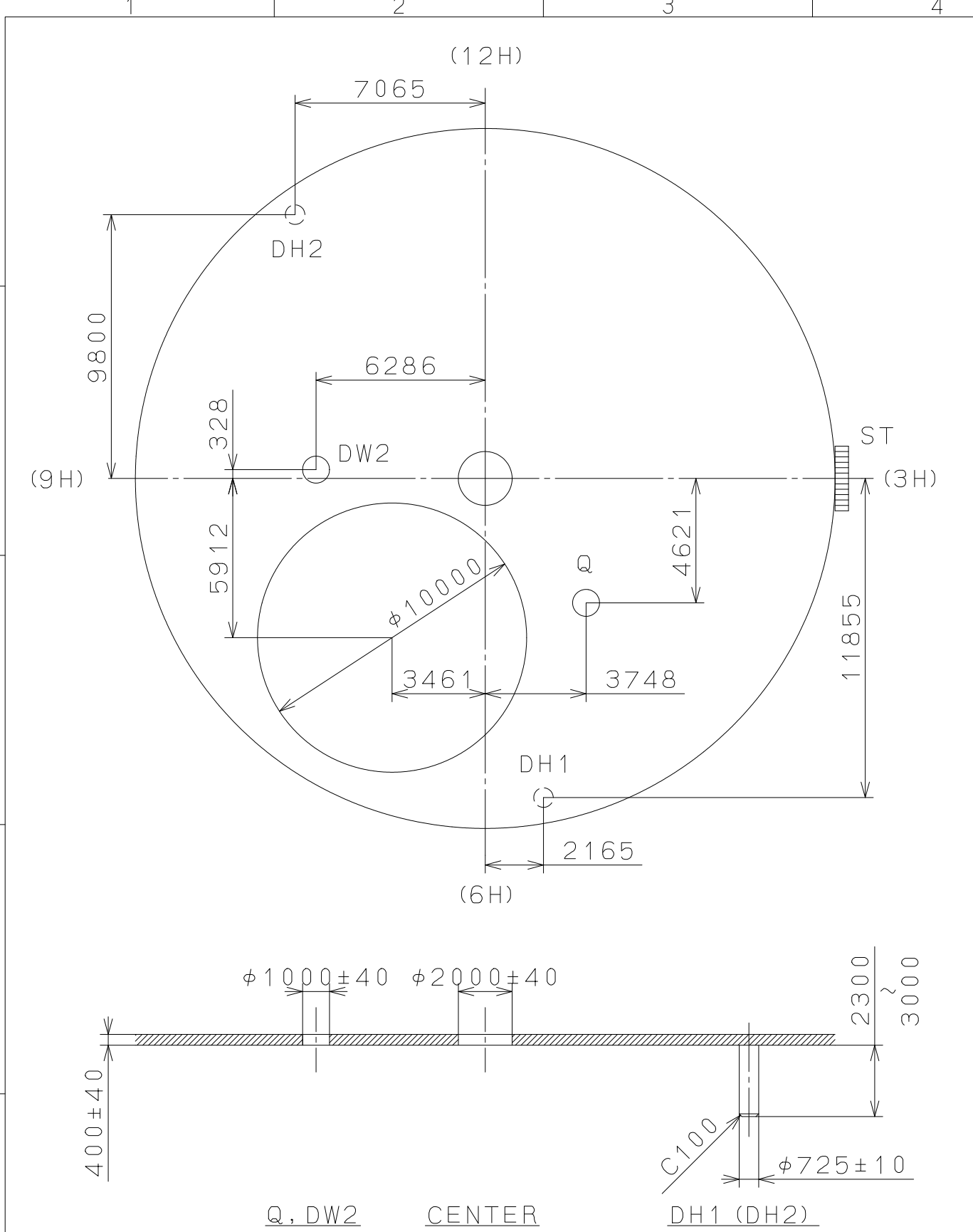


Section CS1, CS2

View A-A

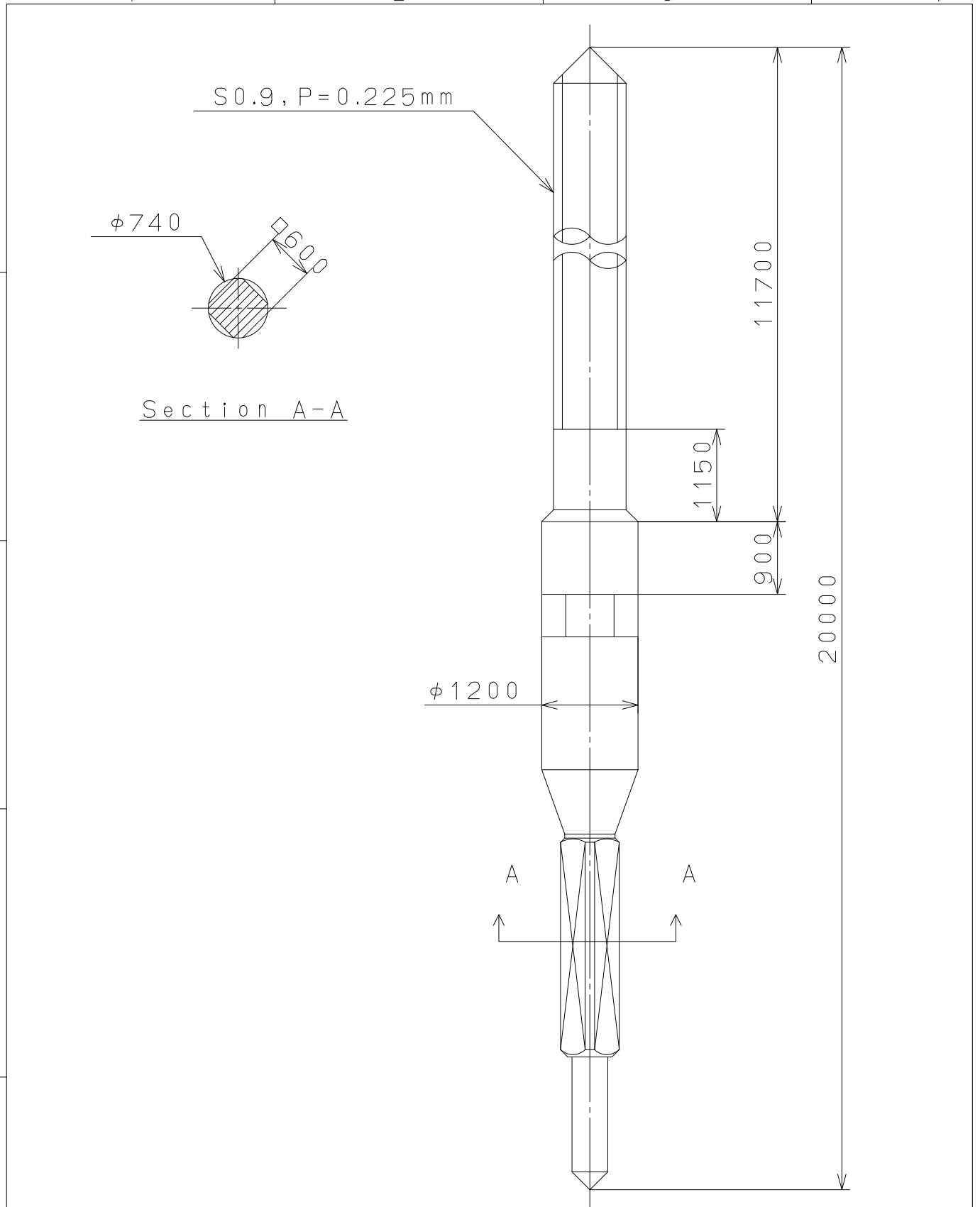
Material	Alterations	Mark	Date	Description	Appro.	Checked	Drawn	D. Yamada	Name:	Frame for Case
Heat Treatment										Drawing No.: 82S700C1
Hardness										
Plating										
Quantity	Unit	Scale	Date	Drawn	Checked	Appro.	Name: Frame for Case			
1	1/1000 mm	7:1					Drawing No.: 82S700C1			
Cal. NO.:		82S7								
Parts No.:										
General Tolerances		Miyota								
Dimensions		CITIZEN WATCH CO., LTD. TOKYO, JAPAN								
Angles										

This drawing is provisional and subject to our reconfirmation and/or revision without notice.



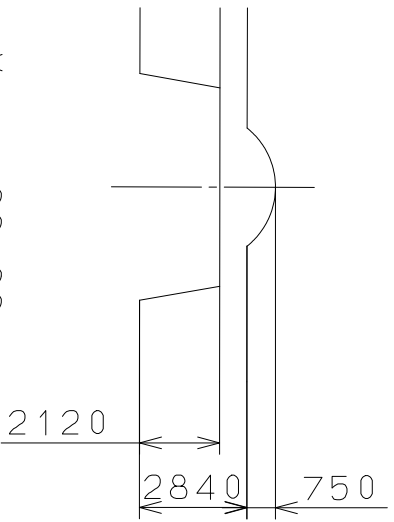
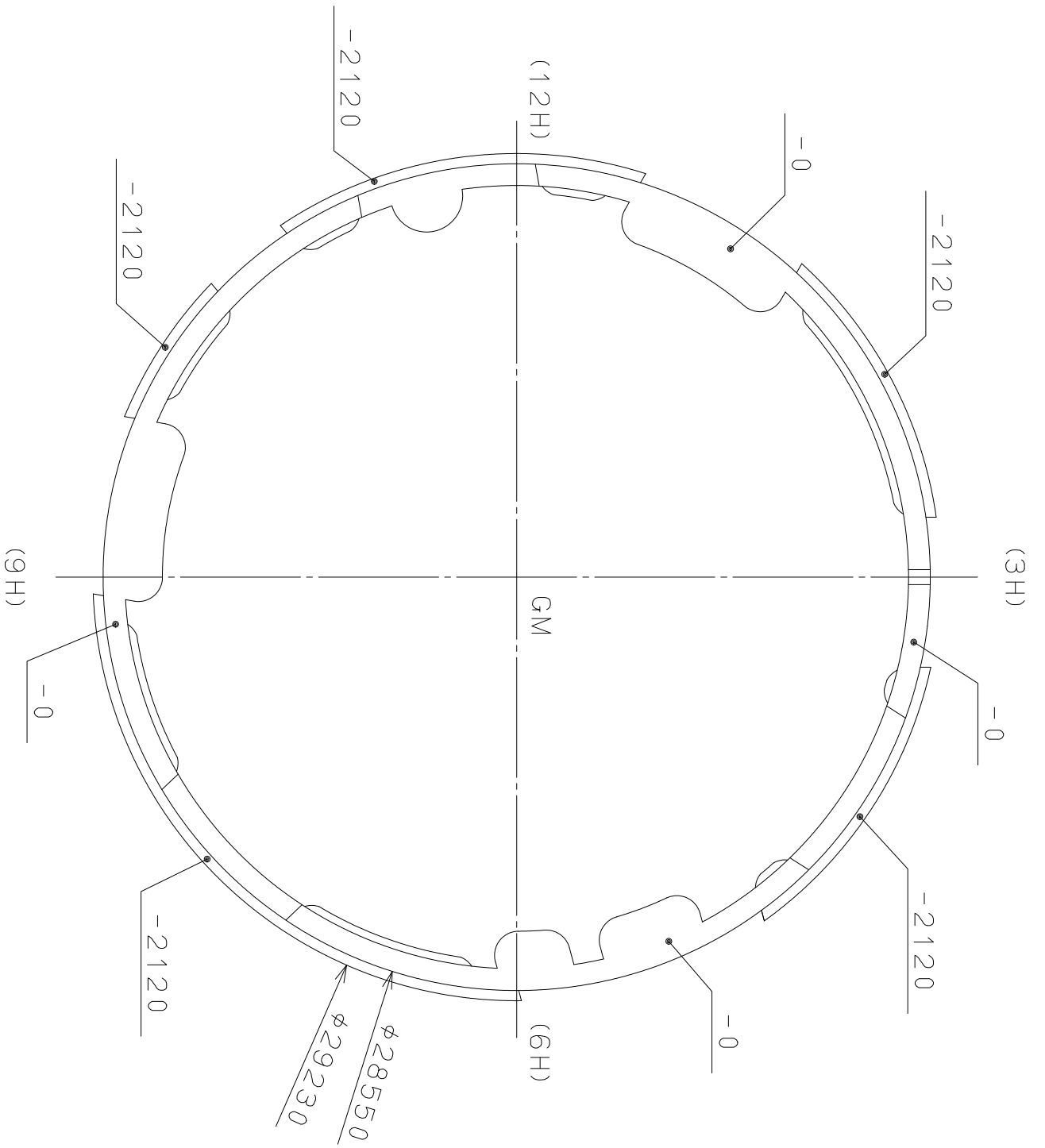
△			Quantity		Cal.NO.:
△			Unit	1 / 1000 mm	82S7-43A
△			Scale	5 : 1	Parts No.:
△			Date		
△			Drawn		
Mark	Date	Description	Appro.	Checked	Name:
		Alterations	Approved	D. Yamada	Indications for Dial
Material					Drawing No.: 82S700D0
Heat Treatment			General Tolerances		<b>MIYOTA</b>
Hardness			Dimensions		
Plating			Angles		
					CITIZEN WATCH CO., LTD. TOKYO, JAPAN

This drawing is provisional and subject to our reconfirmation and/or revision without notice.

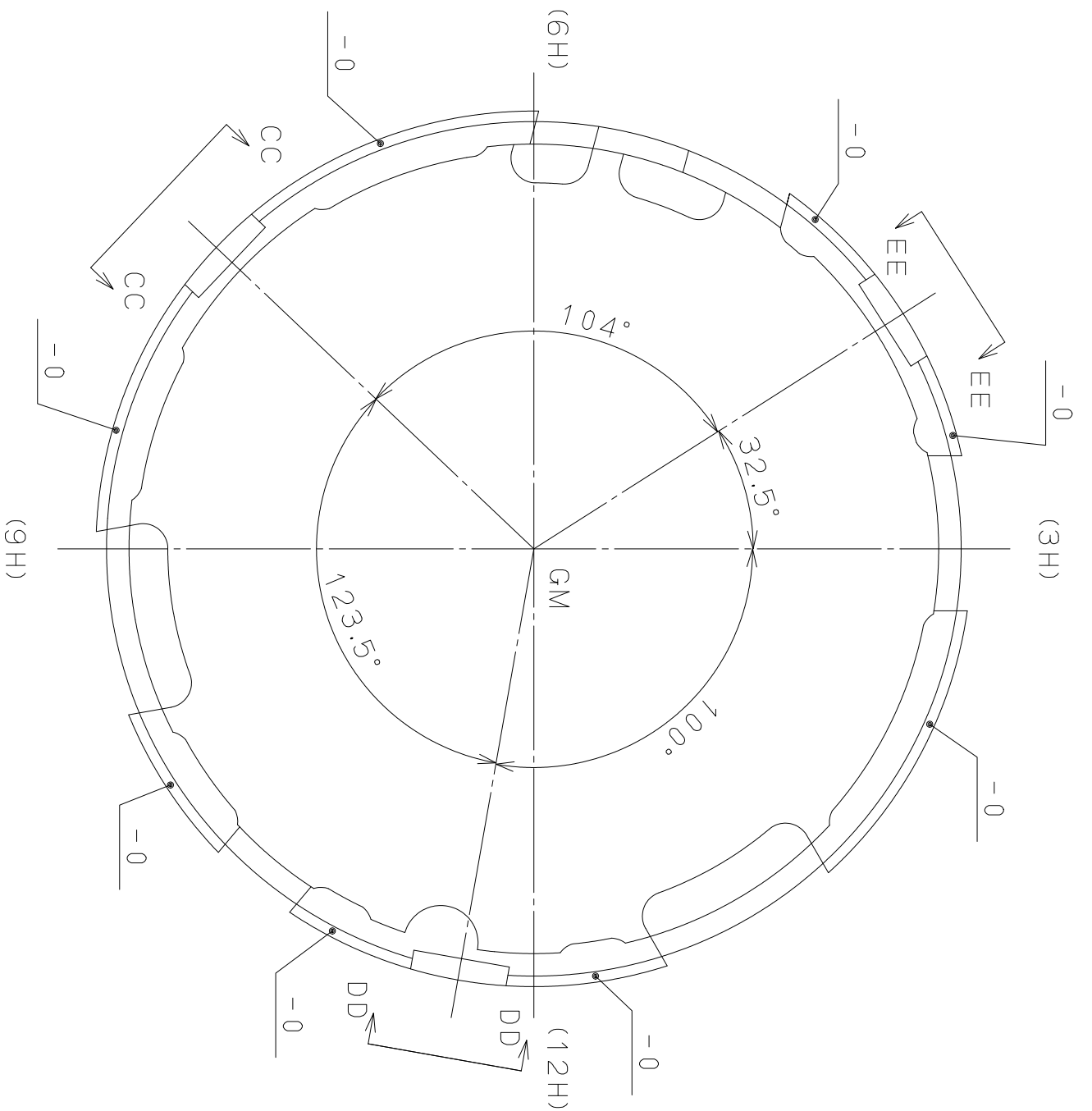


△5			Quantity		Cal.NO.:
△4			Unit	1/1000mm	
△3			Scale	15:1	Parts No.:
△2			Date		065-212
△1			Drawn		Name:
Mark	Date	Description	Appr.	Checked	D. Yamada
Alterations			Approved	SETTING STEM	
Material					Drawing No.: 212000S0
Heat Treatment					<b>MIYOTA</b> CITIZEN WATCH CO., LTD. TOKYO, JAPAN
Hardness					
Plating					

This drawing is provisional and subject to our reconfirmation and/or revision without notice.



View CC-CC  
DD-DD, EE-EE



Quantity	Unit	1 / 1000 mm	Cal. NO. :
Scale	5 : 1	Parts No. :	
Date	Drawn	500-710	
Date	Checked	D. Yamada	Name :
Date	Approved	Casing Holder	Drawing No. : 820500E0
Material		General Tolerances	<b>MIYOTA</b> CITIZEN WATCH CO., LTD. TOKYO, JAPAN
Heat Treatment		Dimensions	
Hardness		Angles	
Plating			