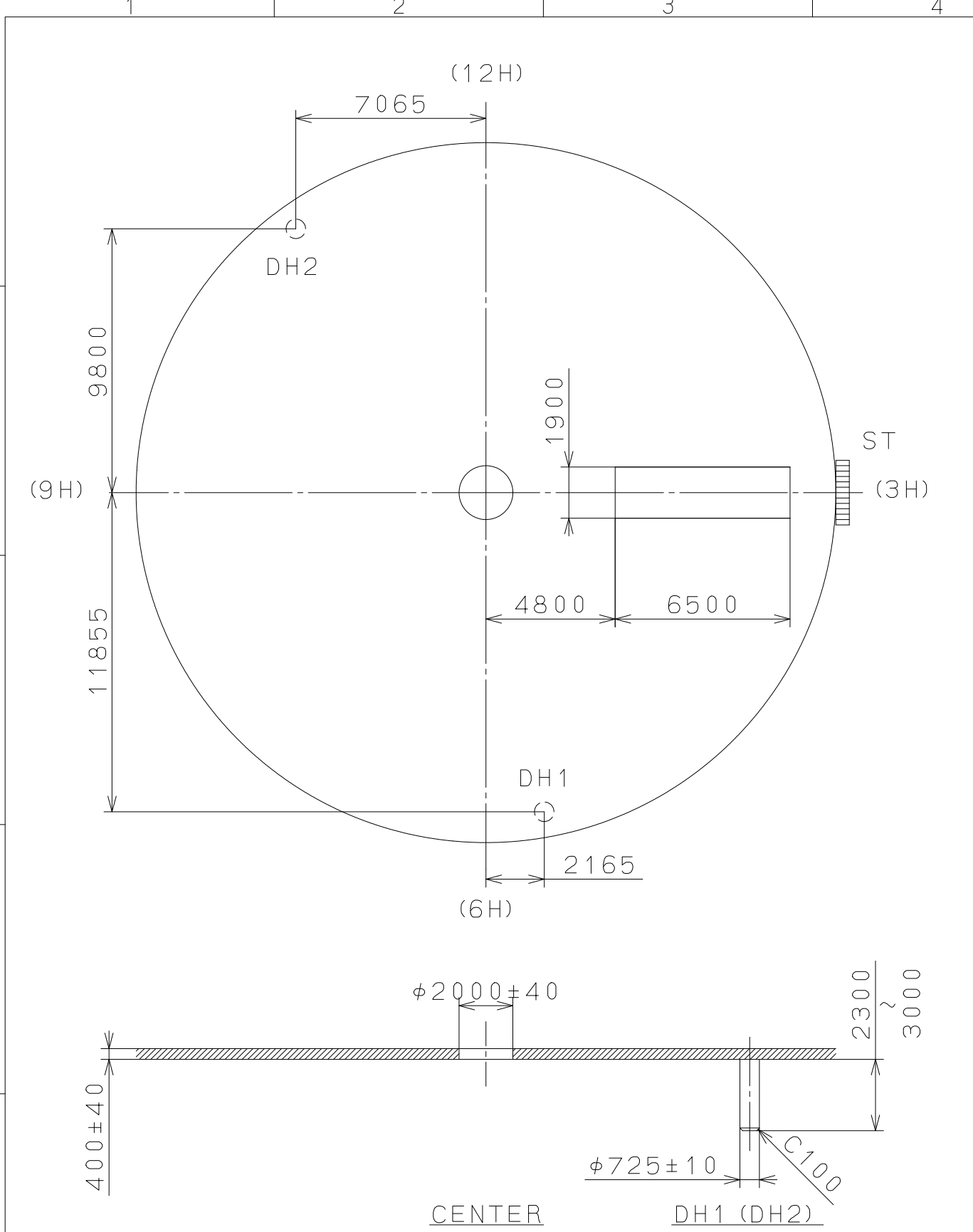


This drawing is provisional and subject to our reconfirmation and/or revision without notice.



△			Quantity		Cal.NO.:
△			Unit	1 / 1000 mm	8205-3CD
△			Scale	5 : 1	Parts No.:
△			Date		
△			Drawn		
Mark	Date	Description	Appro.	Checked	Name:
		Alterations	Approved	D. Yamada	Indications for Dial
Material					Drawing No.: 820504D0
Heat Treatment			General Tolerances	<div style="text-align: center;"> <h1>MIYOTA</h1> <p>CITIZEN WATCH CO., LTD. TOKYO, JAPAN</p> </div>	
Hardness			Dimensions		
Plating			Angles		