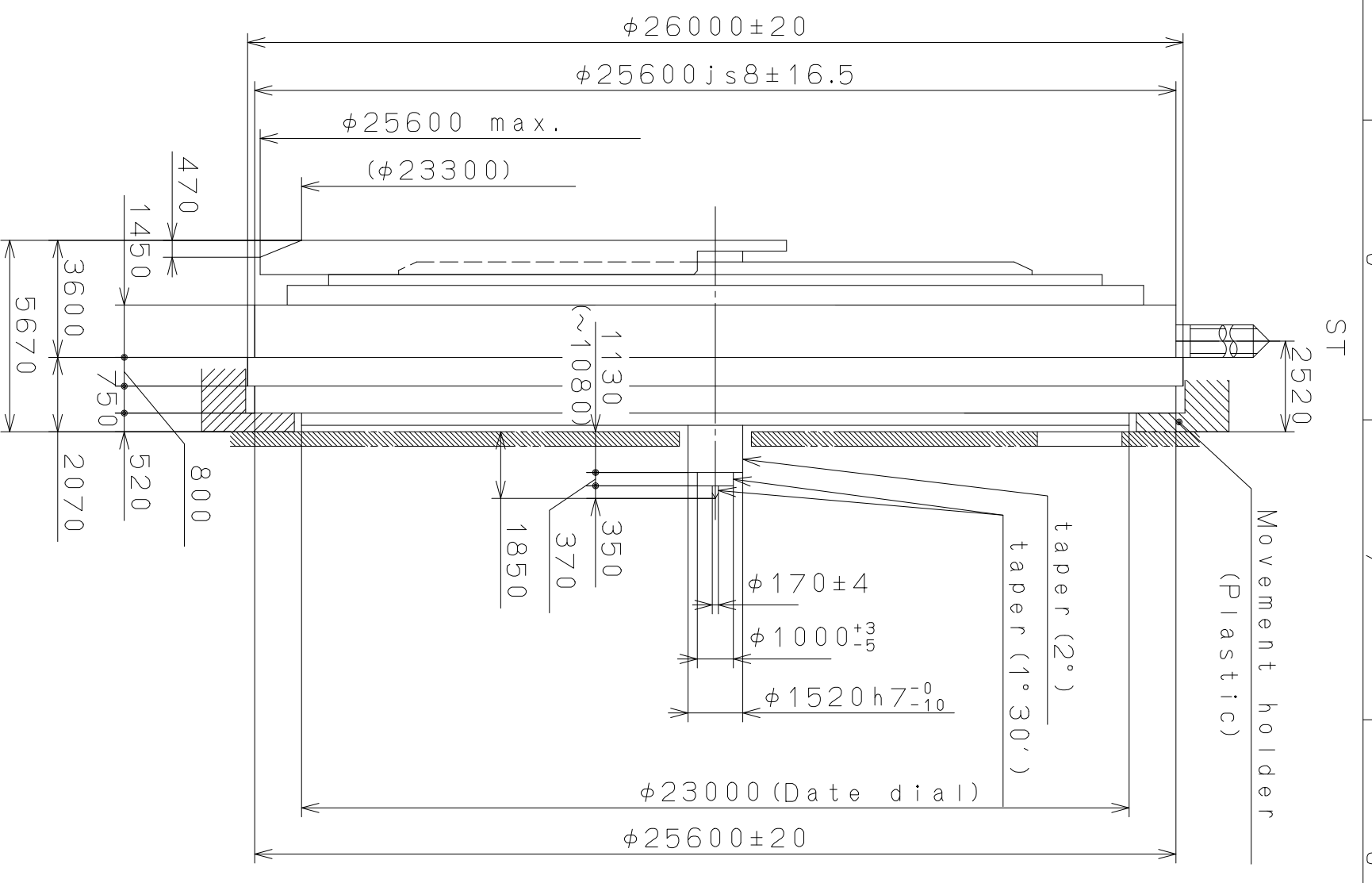
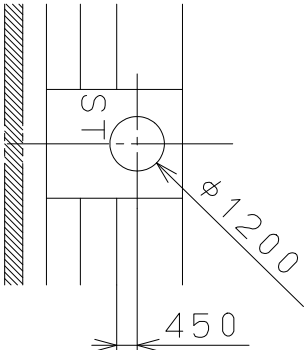
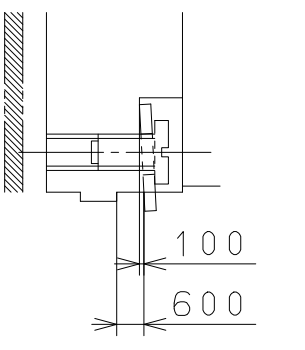
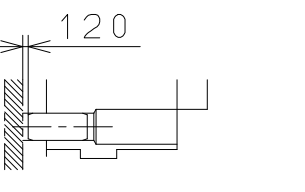
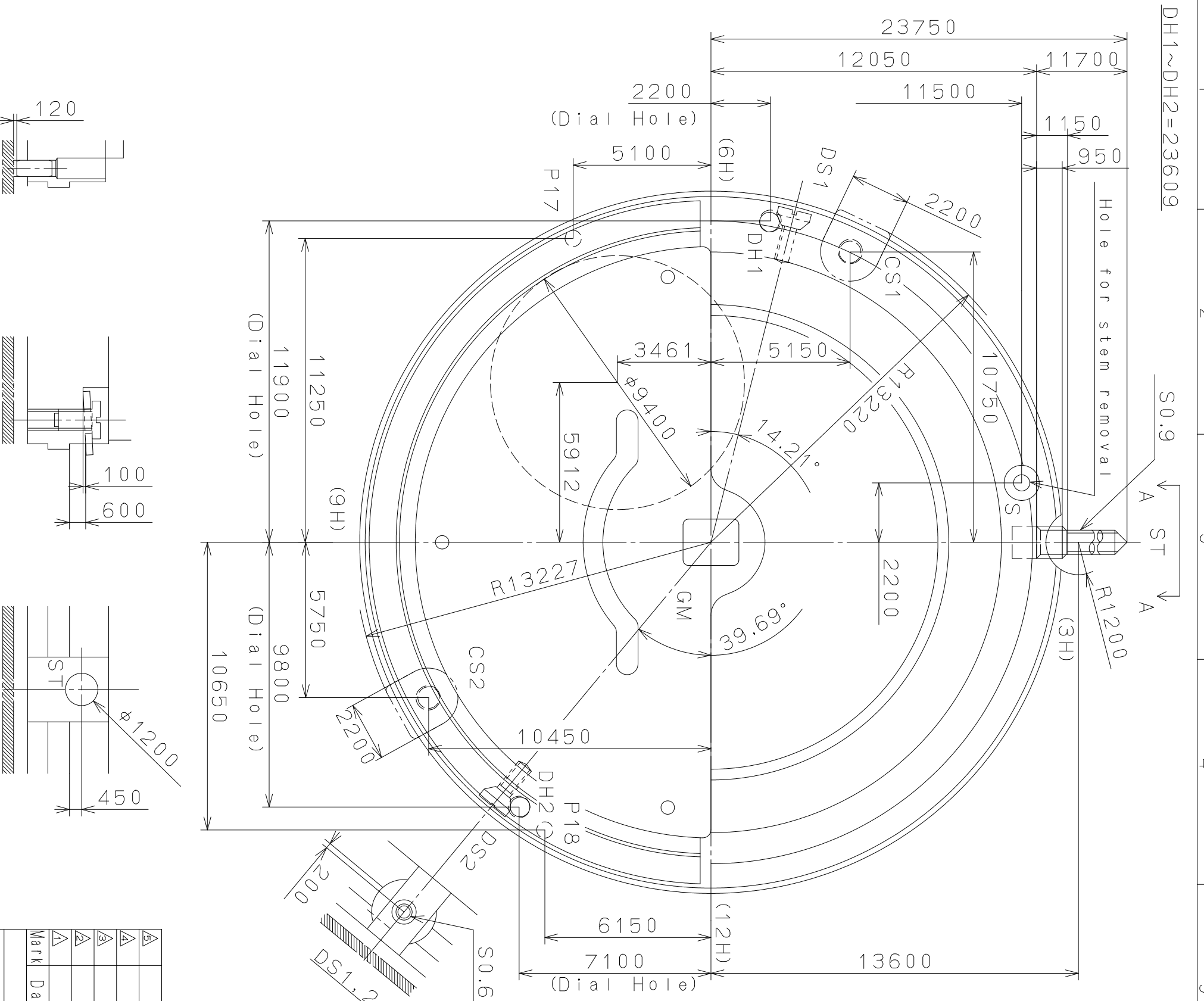
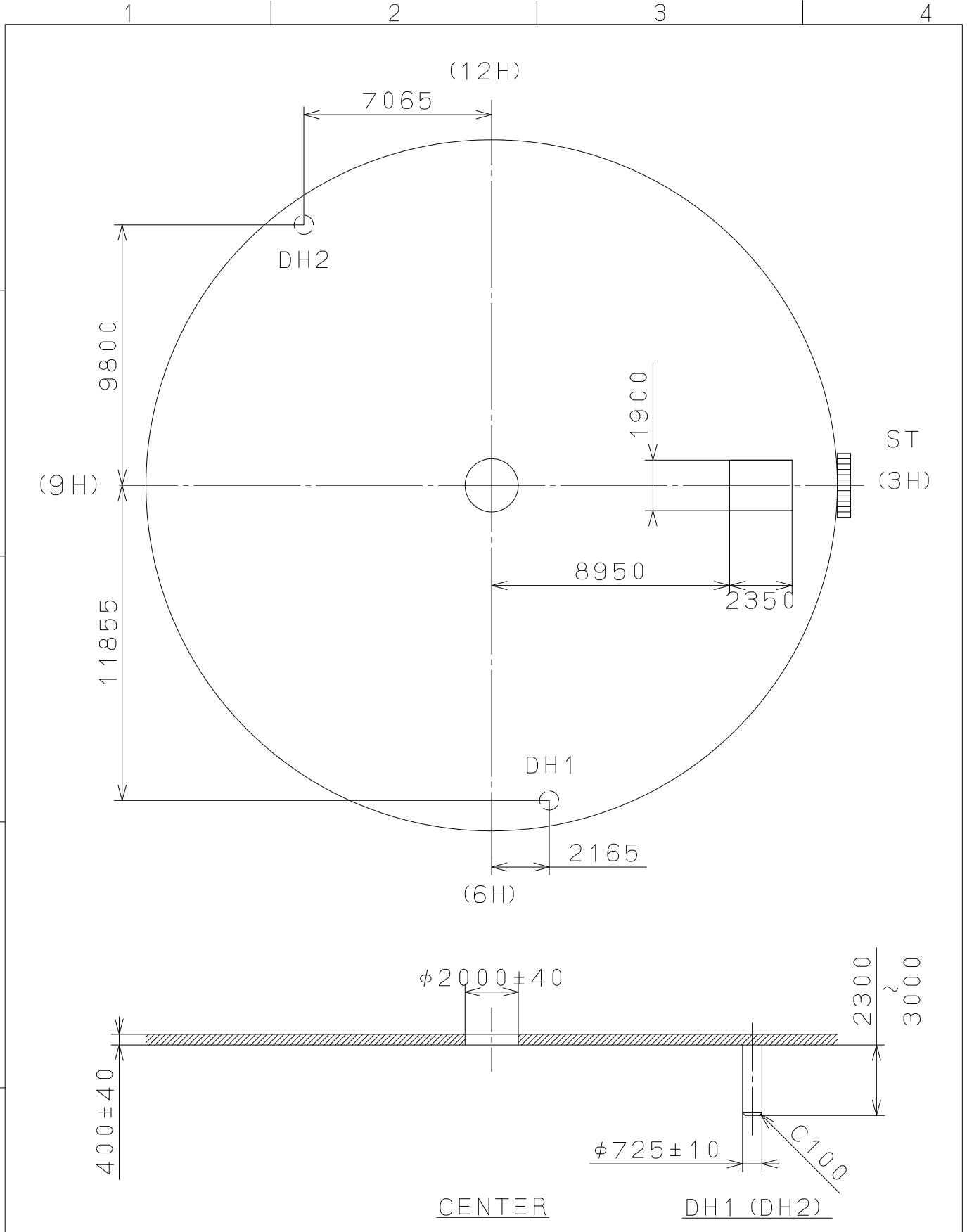


This drawing is provisional and subject to our reconfirmation and/or revision without notice.



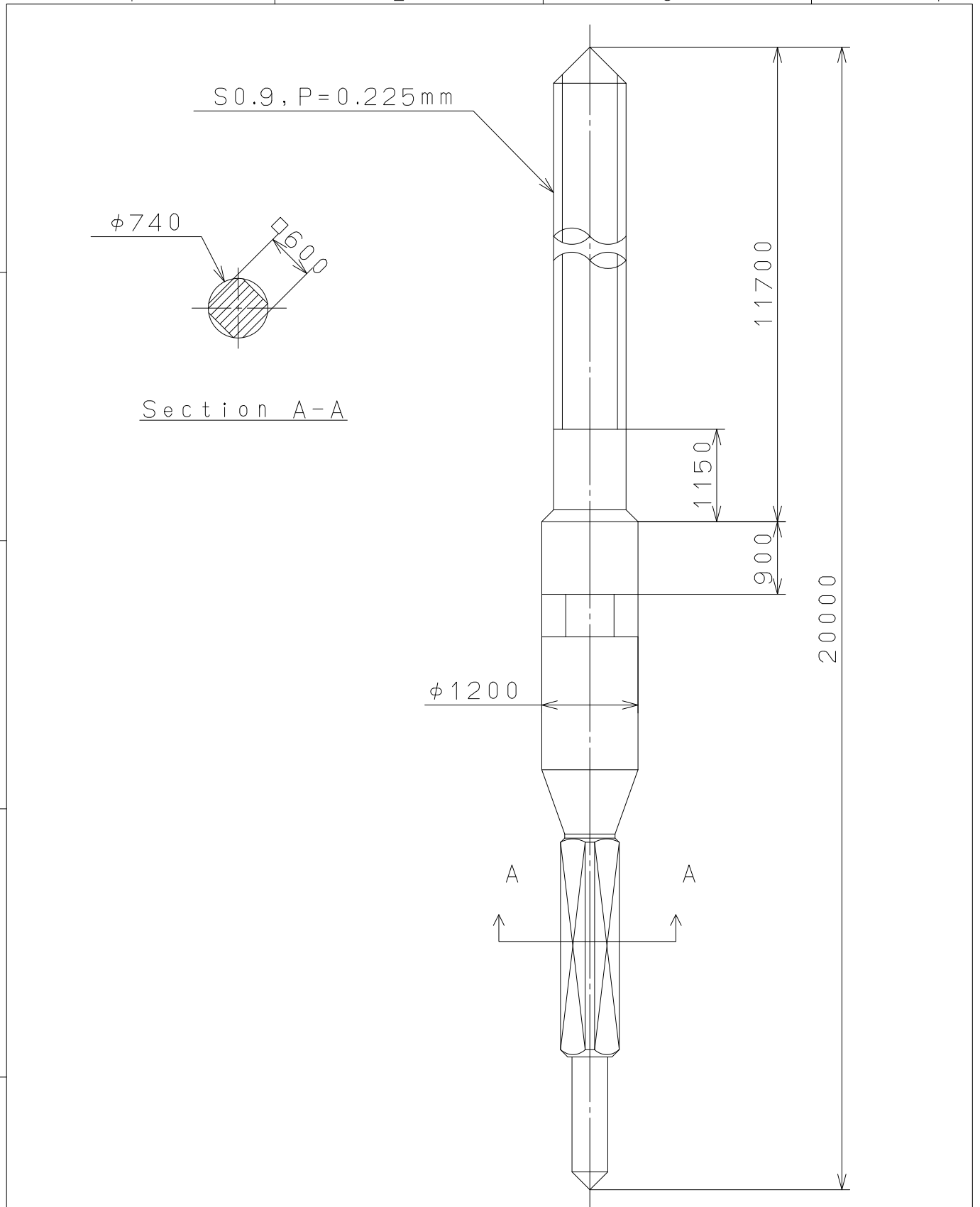
Material	Alterations	Date	Check	Approved	Material	Dimensions	Angles	Quantity	Unit	Scale	Date	Drawn	Checked	Approved	Name:	Frame for Case
				D. Yamada				1/1000 mm	6:1							Drawing No.: 821500C1
													Cal. NO.:	8215		
													Parts No.:			

This drawing is provisional and subject to our reconfirmation and/or revision without notice.

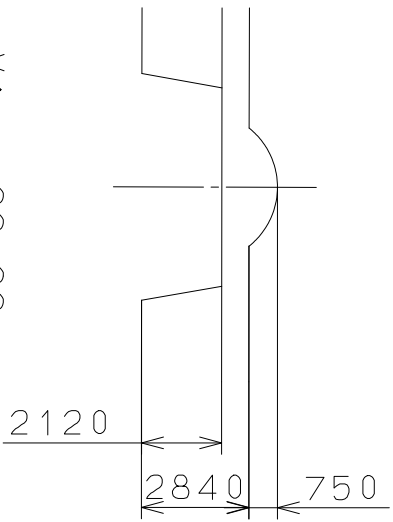
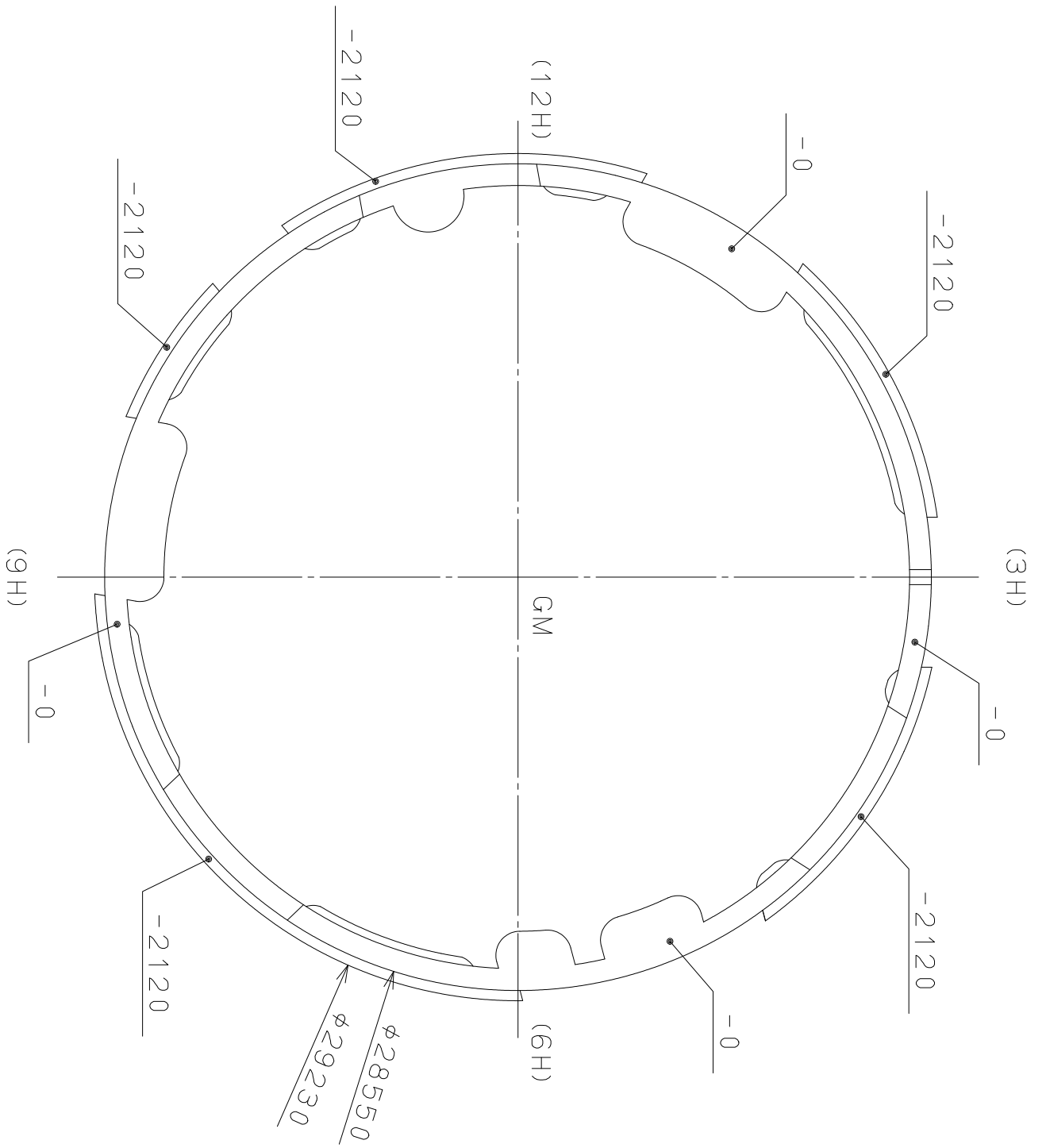


△			Quantity		Cal.NO.:
△			Unit	1 / 1000 mm	8215-33E
△			Scale	5 : 1	Parts No.:
△			Date		
△			Drawn		
Mark	Date	Description	Appro.	Checked	Name:
		Alterations	Approved	D. Yamada	Indications for Dial
Material					Drawing No.: 821500D0
Heat Treatment				General Tolerances	MIYOTA
Hardness				Dimensions	
Plating				Angles	
					CITIZEN WATCH CO., LTD. TOKYO, JAPAN

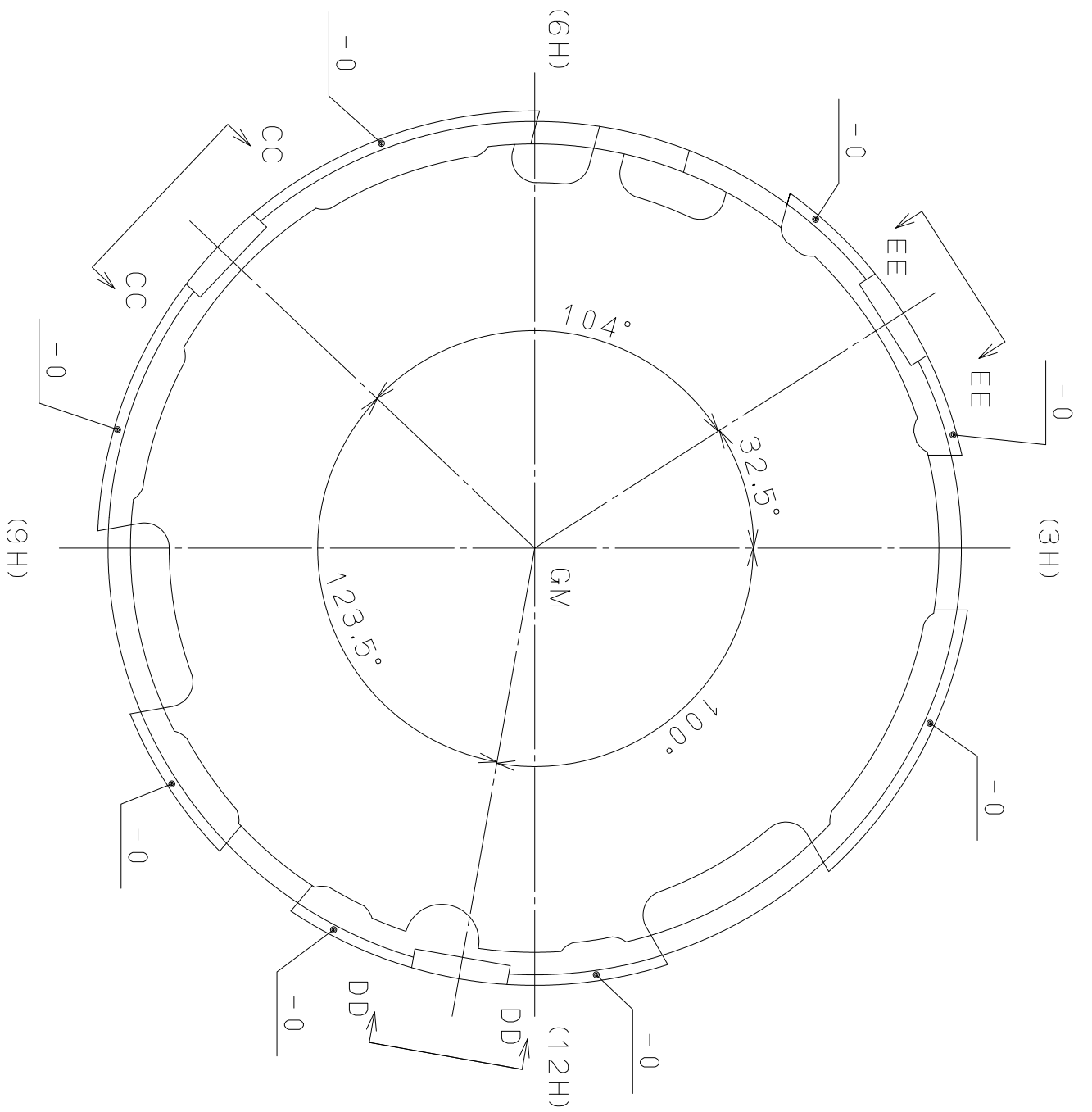
This drawing is provisional and subject to our reconfirmation and/or revision without notice.



△			Quantity		Cal.NO.:
△			Unit	1/1000mm	
△			Scale	15:1	Parts No.:
△			Date		065-212
△			Drawn		Name:
Mark	Date	Description	Appr.	Checked	D. Yamada
Alterations			Approved	SETTING STEM	
Material					Drawing No.: 212000S0
Heat Treatment					MIYOTA CITIZEN WATCH CO., LTD. TOKYO, JAPAN
Hardness					
Plating					



View CC-CC
DD-DD, EE-EE



△	Quantity	1/1000 mm	Cal. NO.:
△	Unit	5 : 1	Parts No.:
△	Scale	Drawn	500-710
△	Date	Checked	Name:
△	Date	Approved	Casings Holder
Material	Alterations	Approved	D. Yamada
Heat Treatment			
Hardness			
Plating			
	General Tolerances		
	Dimensions		
	Angles		

MIYOTA

CITIZEN WATCH CO., LTD. TOKYO, JAPAN

Drawing No.: 820500E0