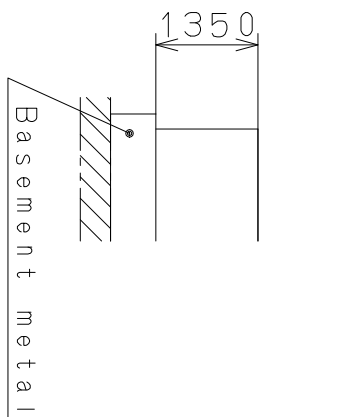
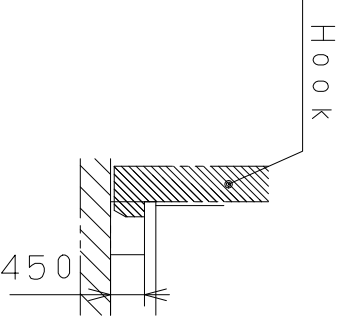
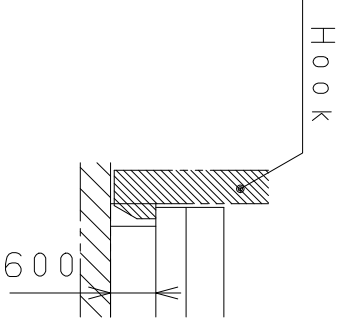
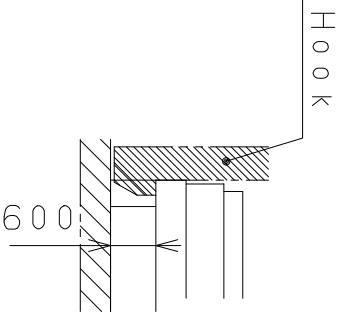
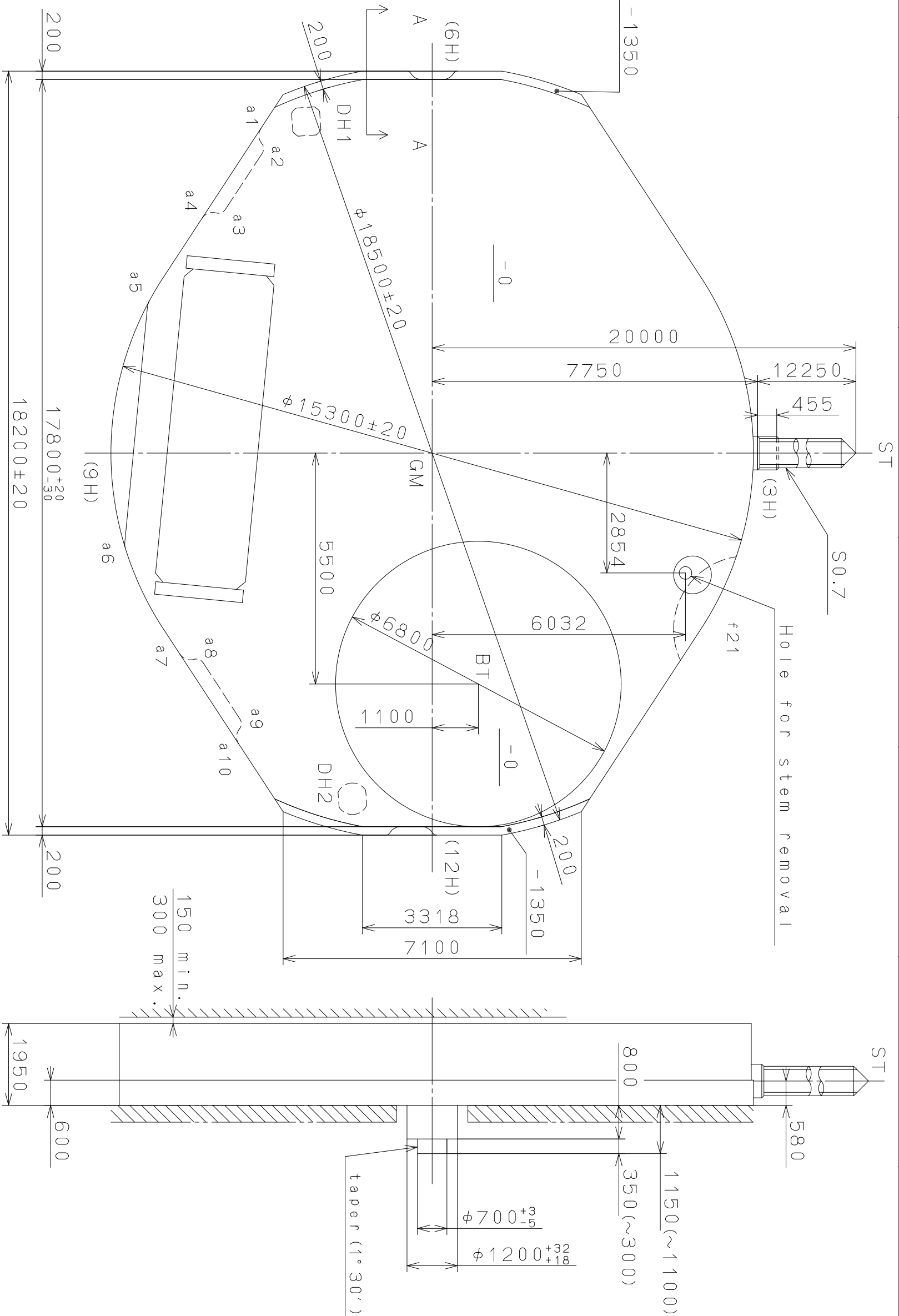


This drawing is provisional and subject to our reconfirmation and/or revision without notice.

DH1~DH2=16171±20

Coordinates

Mark	X	Y	R
GM	0	0	1750
f21	4200	7500	1750
DH1	-7900	-3000	—
DH2	8234	-1900	—
a1	-7569	-3828	300
a2	-7252	-4215	200
a3	-5914	-5092	200
a4	-5433	-5228	300
a5	-3437	-6383	400
a6	2156	-6922	400
a7	4625	-5757	300
a8	5106	-5621	200
a9	6444	-4745	200
a10	6761	-4358	300



Section a1~4

Section a7~10

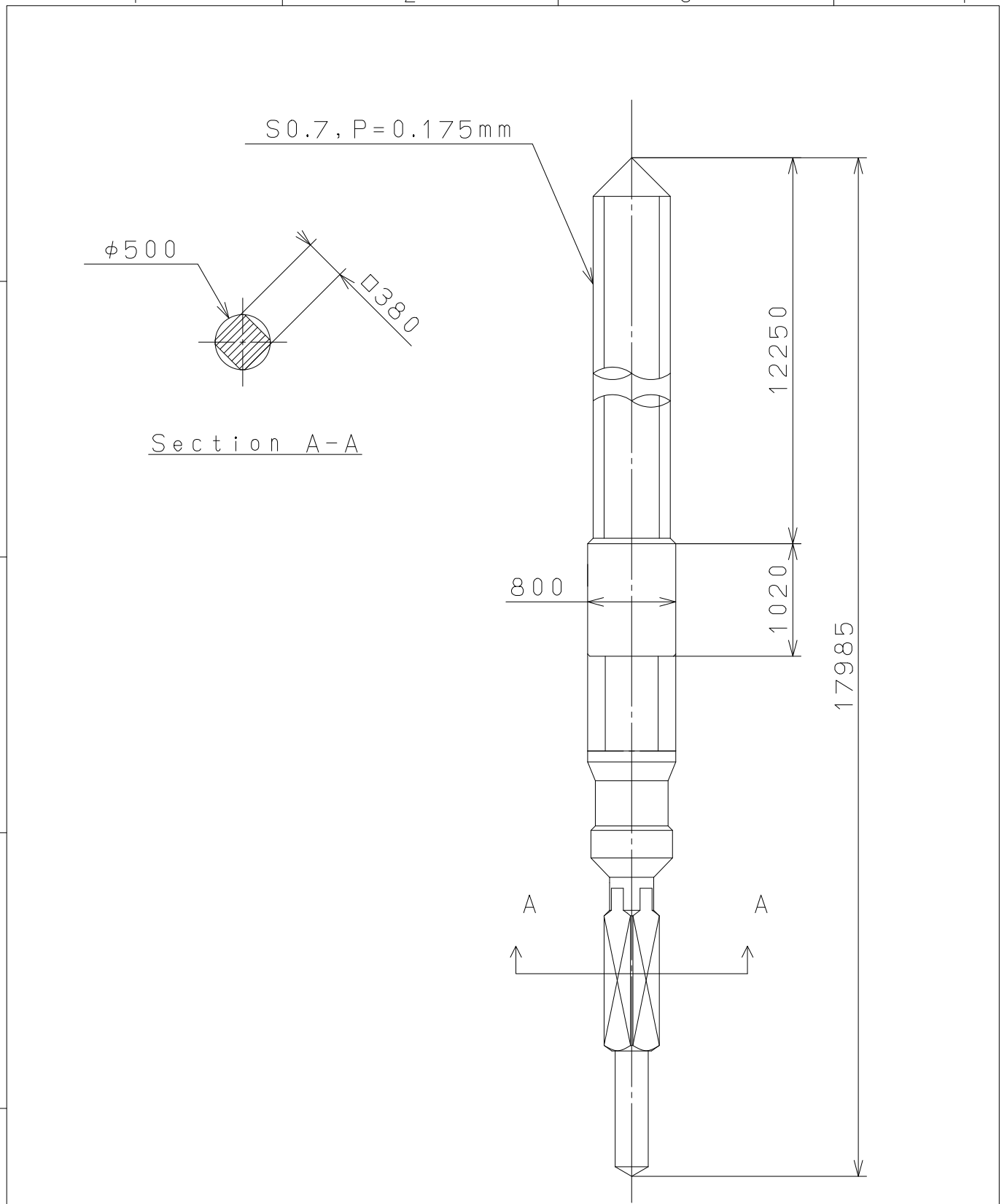
Section f21

Section A-A

Mark	Date	Description	Appro.	Checked	Drawn
Material					
Heat Treatment					
Hardness					
Plating					
Alterations					
Quantity	Unit	1/1000 mm			
Scale	10:1				
Date					
Drawn					
Checked					
Approved					
General Tolerances					
Dimensions					
Angles					
Cal. NO.:	9T25				
Parts No.:					
Name:	Frame for Case				
Drawing No.:	9T2500C0				

MIYOTA
CITIZEN WATCH CO., LTD. TOKYO, JAPAN

This drawing is provisional and subject to our reconfirmation and/or revision without notice.



△5			Quantity		Cal.NO.:
△4			Unit	1/1000mm	
△3			Scale	20:1	Parts No.:
△2			Date		065-495
△1			Drawn		
Mark	Date	Description	Appro.	Checked	D.Yamada
Alterations			Approved	Name: SETTING STEM	
Material					Drawing No.: 495000S0
Heat Treatment	General Tolerances				MIYOTA
Hardness	Dimensions				
Plating	Angles				
					CITIZEN WATCH CO.,LTD. TOKYO,JAPAN