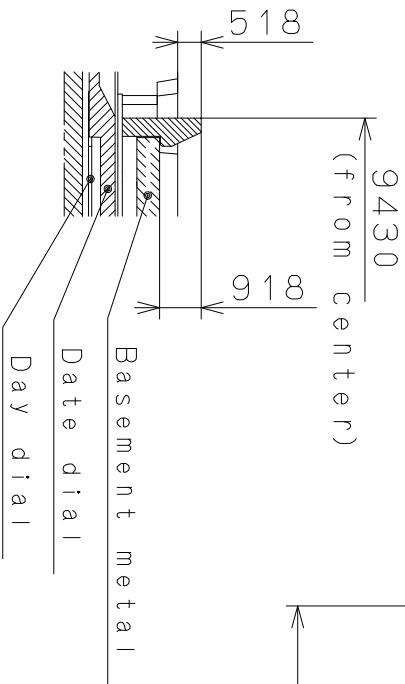
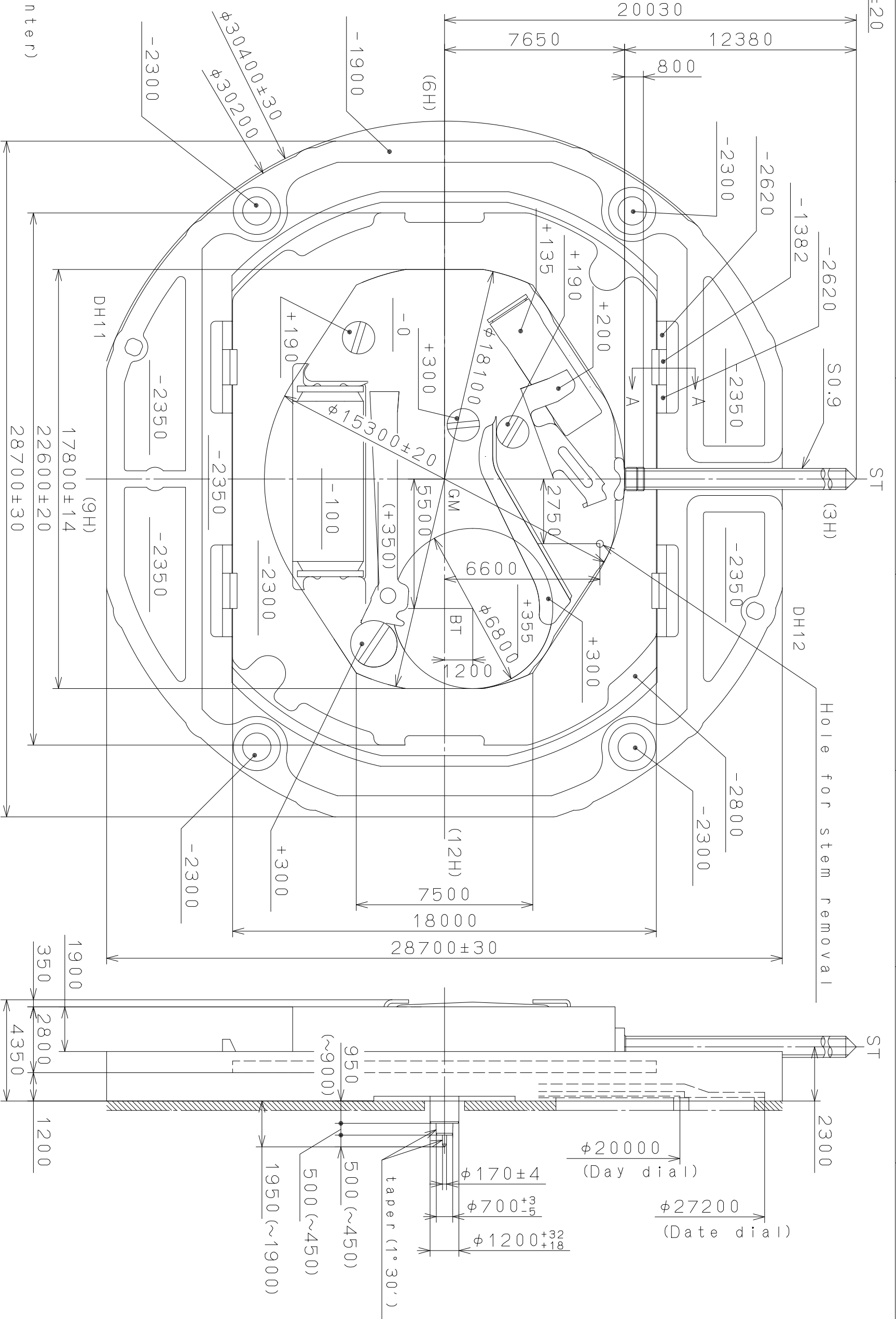


This drawing is provisional and subject to our reconfirmation and/or revision without notice.

Coordinates		
Mark	X	Y
GM	0	0
DH11	-5600	-13200
DH12	5600	13200

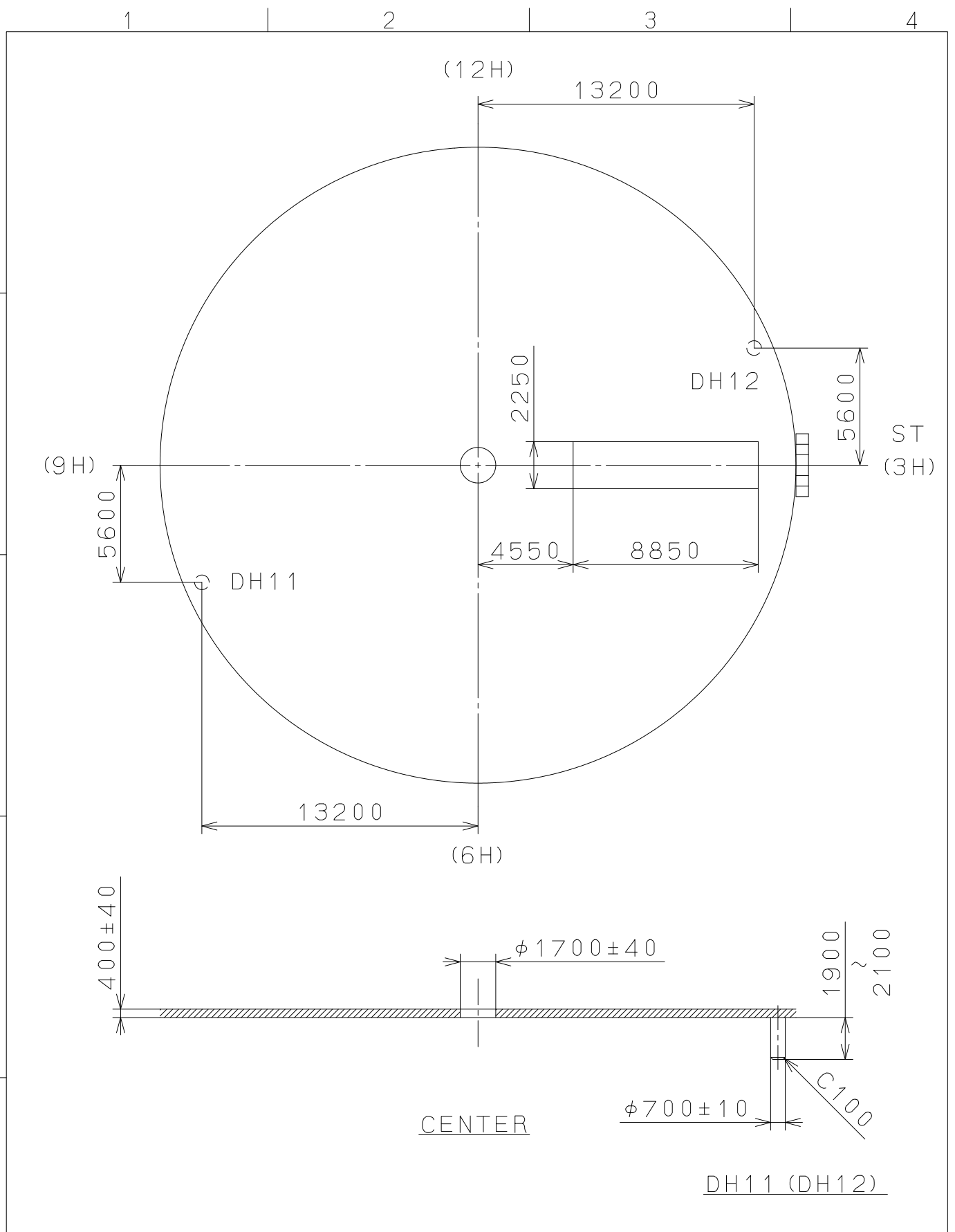


Section A-A (other hook)

△	Quantity		Cal. NO.:	2405
△	Unit	1/1000 mm	Parts No.:	
△	Scale	6 : 1	Name:	Frame for Case
△	Date		Drawing No.:	240500C0
△	Drawn			
△	Checked			
△	Approved	D. Yamada		
Material		Alterations		
Heat Treatment		Approved		
Hardness		General Tolerances		
Plating		Dimensions		
		Angles		

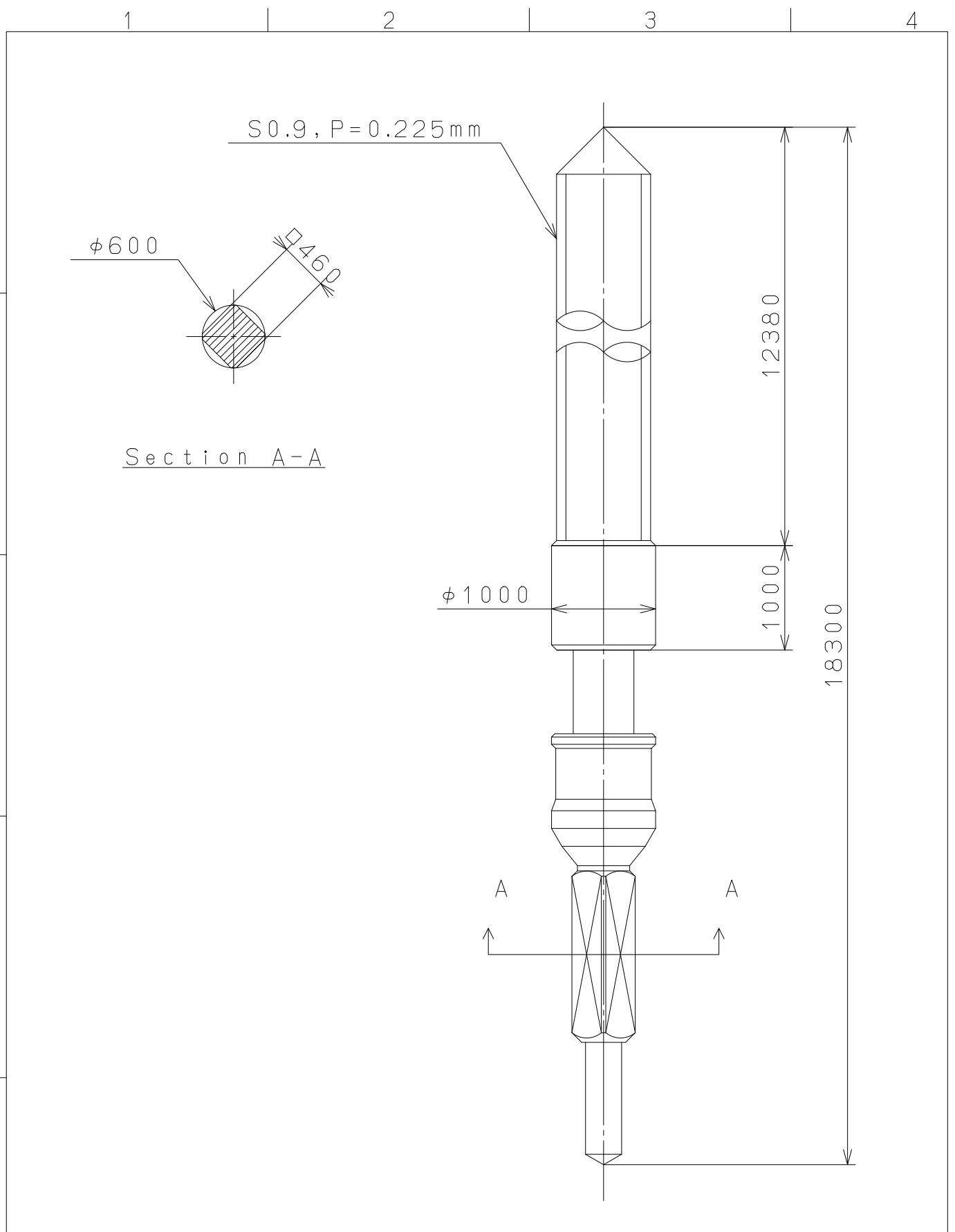
**Miyota**  
CITIZEN WATCH CO., LTD. TOKYO, JAPAN

This drawing is provisional and subject to our reconfirmation and/or revision without notice.



△			Quantity		Cal.NO.:
△			Unit	1 / 1000 mm	2405-30A
△			Scale	4 : 1	Parts No.:
△			Date		
△			Drawn		
Mark	Date	Description	Appro.	Checked	Name:
		Alterations	Approved	D. Yamada	Indications for Dial
Material					Drawing No.: 240500D1
Heat Treatment			General Tolerances		<b>MIYOTA</b>
Hardness			Dimensions		
Plating			Angles		
					CITIZEN WATCH CO., LTD. TOKYO, JAPAN

This drawing is provisional and subject to our reconfirmation and/or revision without notice.



△5			Quantity		Cal.NO.:
△4			Unit	1 / 1000 mm	
△3			Scale	20 : 1	Parts No.:
△2			Date		065-299
△1			Drawn		
Mark	Date	Description	Appr.	Checked	D. Yamada
Alterations			Approved	Name:	
			SETTING STEM		
Material					Drawing No.: 299000S0
Heat Treatment					<b>MIYOTA</b> CITIZEN WATCH CO., LTD. TOKYO, JAPAN
Hardness					
Plating					