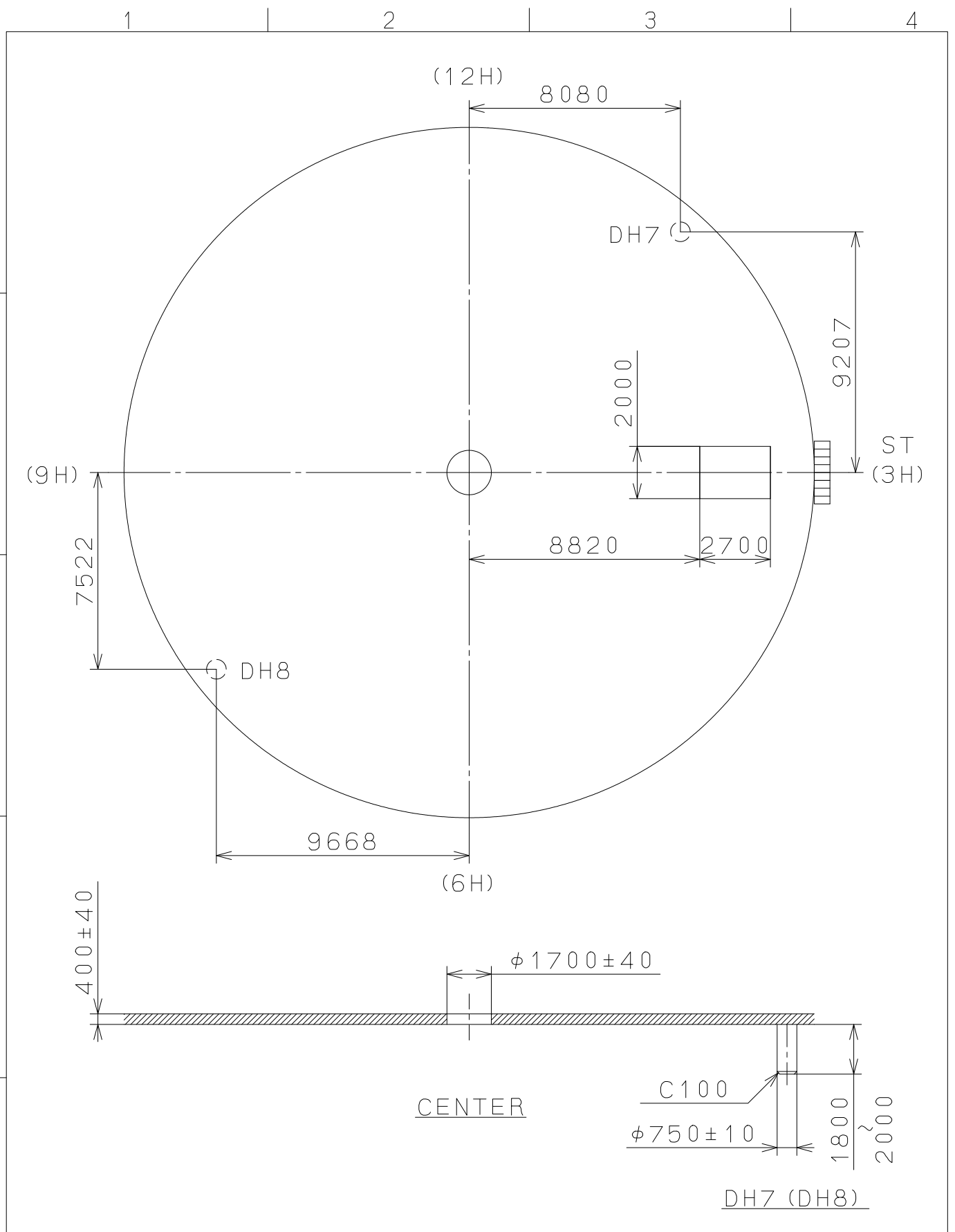
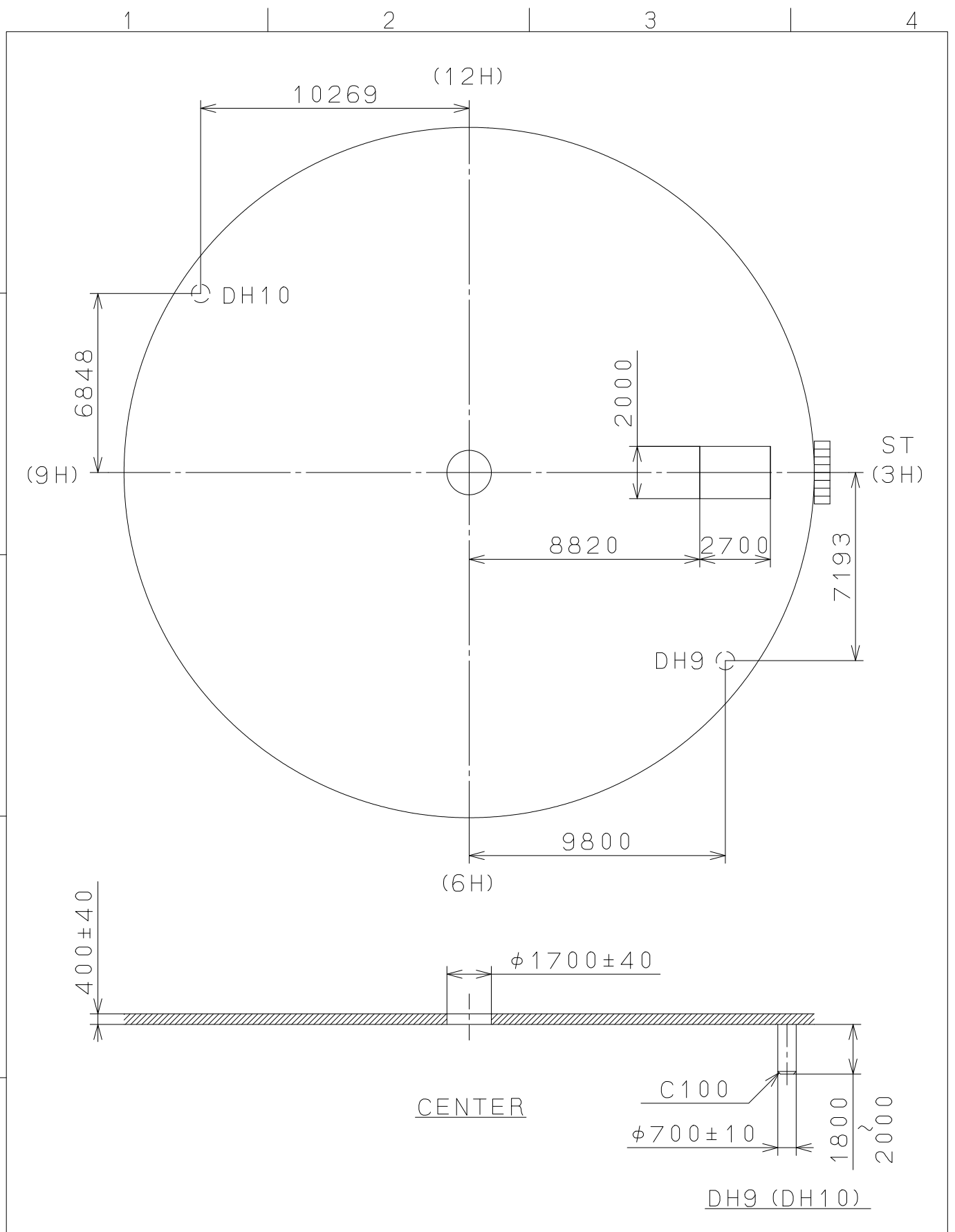


This drawing is provisional and subject to our reconfirmation and/or revision without notice.



△			Quantity		Cal. NO.:
△			Unit	1 / 1000 mm	2315-30A
△			Scale	5 : 1	Parts No.:
△			Date		
△			Drawn		
Mark	Date	Description	Appro.	Checked	D. Yamada
Alterations			Approved	Name:	
Material					Indications for Dial
Heat Treatment					Drawing No.: 231500D1
Hardness					<b>MIYOTA</b>
Plating					

This drawing is provisional and subject to our reconfirmation and/or revision without notice.



△			Quantity		Cal.NO.:
△			Unit	1 / 1000 mm	2315-30A
△			Scale	5 : 1	Parts No.:
△			Date		
△			Drawn		
Mark	Date	Description	Appr.	Checked	D. Yamada
Alterations			Approved	Name:	
Material					Indications for Dial
Heat Treatment					Drawing No.: 231501D1
Hardness					<b>MIYOTA</b>
Plating					
					CITIZEN WATCH CO., LTD. TOKYO, JAPAN