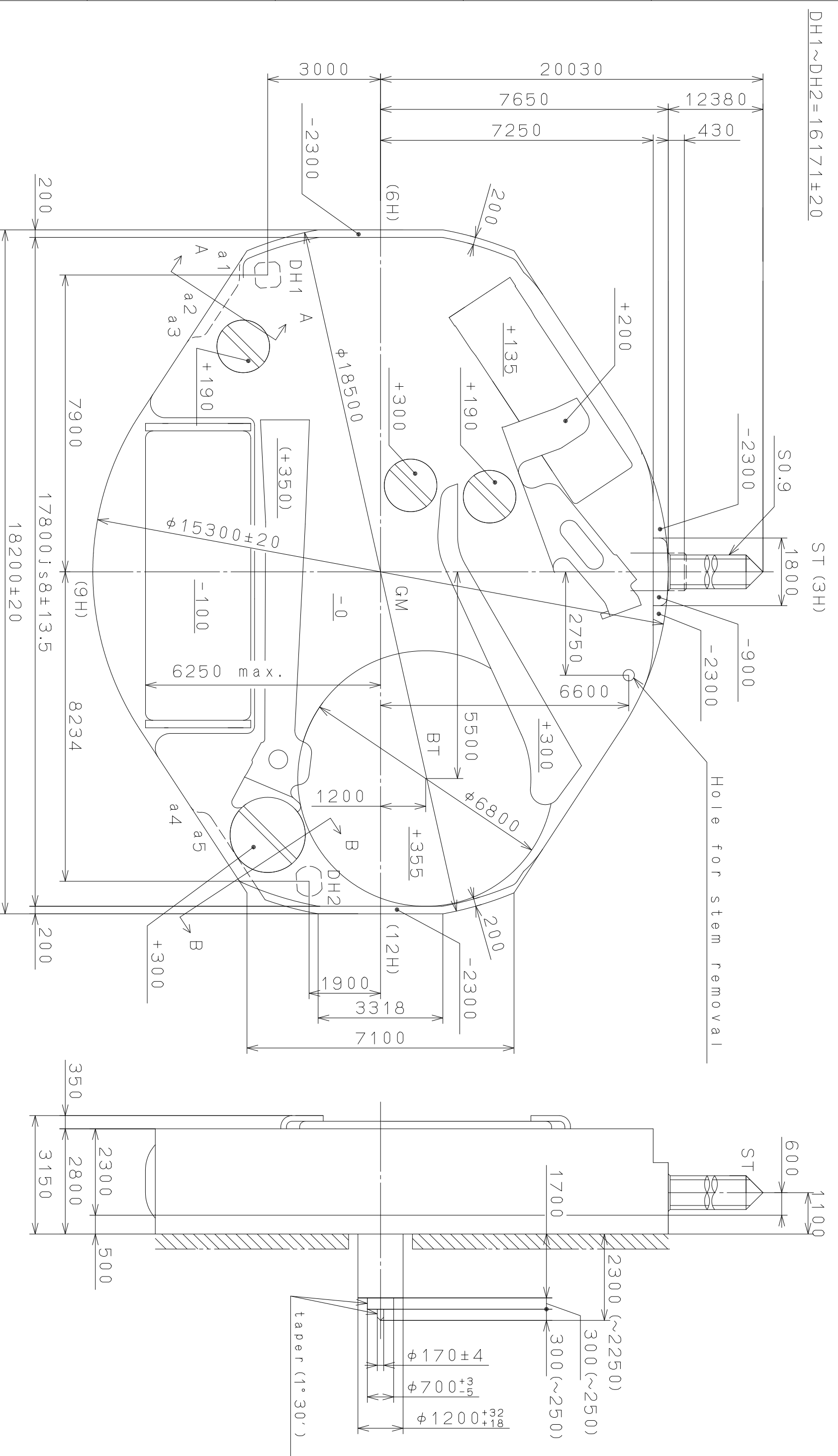
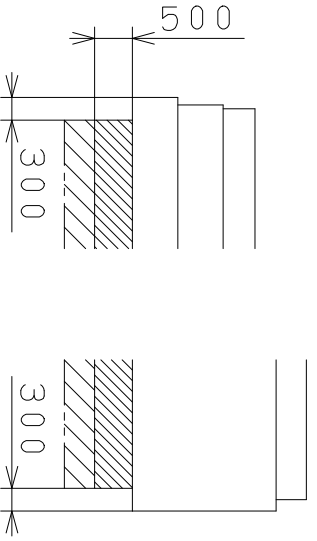


This drawing is provisional and subject to our reconfirmation and/or revision without notice.



Coordinates

Mark	X	Y	R
GM	0	0	—
a1	-7838	-4250	500
a2	-6550	-4855	300
a3	-5951	-4888	300
a4	6101	-4790	300
a5	6700	-4756	300



Section A-A

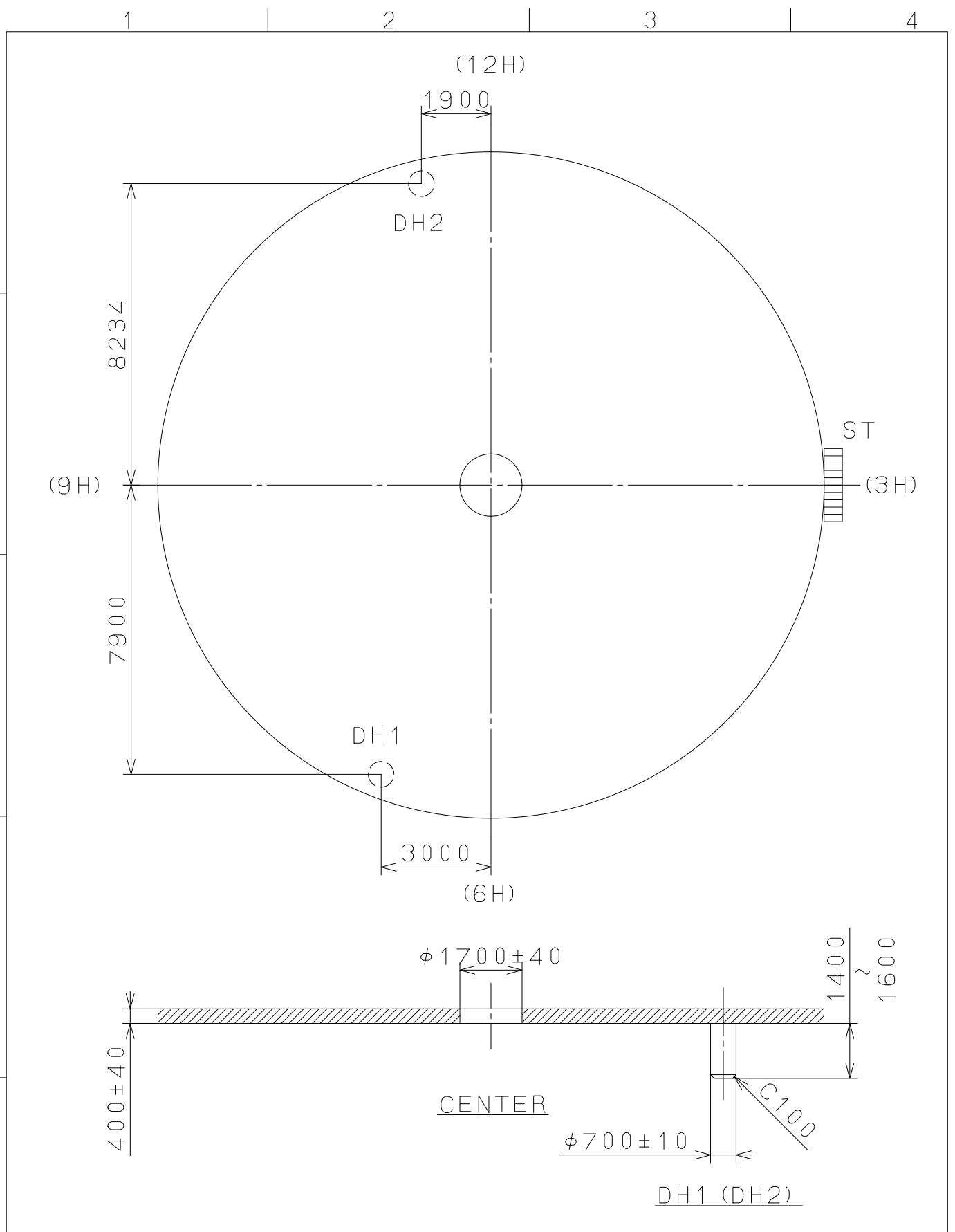
Section B-B

△	Quantity		Cal. NO.:	2039
△	Unit		Unit	1/1000 mm
△	Scale		Scale	10:1
△	Date		Date	
△	Drawn		Drawn	
△	Checked		Checked	D. Yamada
△	Approved		Approved	
△	Alterations		Alterations	
△	Date		Date	
△	Description		Description	
△	Appro.		Appro.	
△	Material		Material	
△	Heat Treatment		Heat Treatment	
△	Hardness		Hardness	
△	Plating		Plating	
△	General Tolerances		General Tolerances	
△	Dimensions		Dimensions	
△	Angles		Angles	

Name: Frame for Case  
Drawing No.: 203900C0

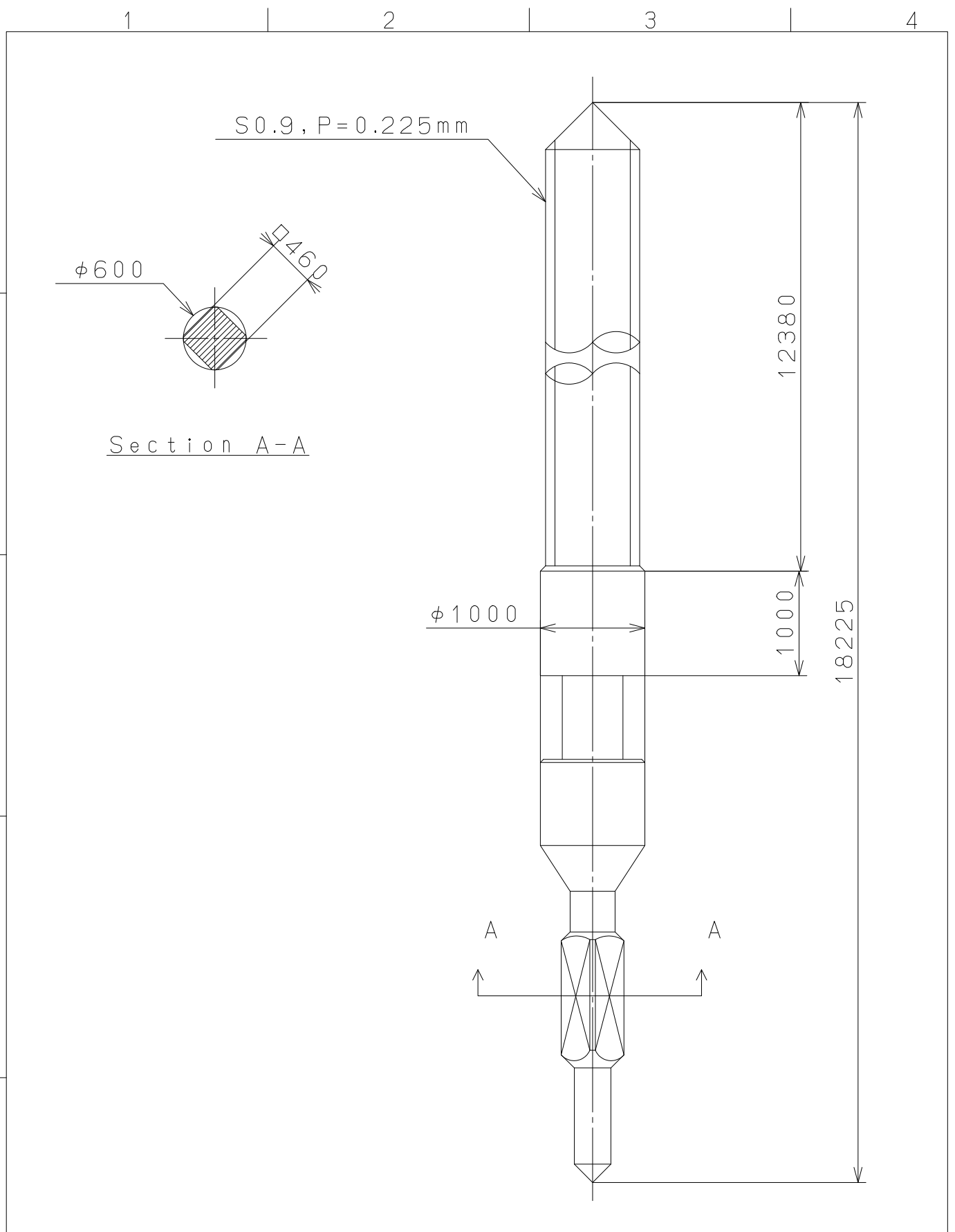
**MIYOTA**  
CITIZEN WATCH CO., LTD. TOKYO, JAPAN

This drawing is provisional and subject to our reconfirmation and/or revision without notice.



△			Quantity		Cal.NO.:
△			Unit	1 / 1000 mm	2039-50A
△			Scale	7 : 1	Parts No.:
△			Date		
△			Drawn		
Mark	Date	Description	Appr.	Checked	Name:
		Alterations	Approved	D. Yamada	Indications for Dial
Material					Drawing No.: 203900D1
Heat Treatment			General Tolerances		<b>MIYOTA</b>
Hardness			Dimensions		
Plating			Angles		
					CITIZEN WATCH CO., LTD. TOKYO, JAPAN

This drawing is provisional and subject to our reconfirmation and/or revision without notice.



⑤			Quantity		Cal.NO.:
④			Unit	1 / 1000 mm	
③			Scale	20 : 1	Parts No.:
②			Date		065-468
①			Drawn		
Mark	Date	Description	Appro.	Checked	D. Yamada
Alterations			Approved	Name:	
			SETTING STEM		
Material					Drawing No.: 468000S0
Heat Treatment					<b>MIYOTA</b> CITIZEN WATCH CO., LTD. TOKYO, JAPAN
Hardness					
Plating					