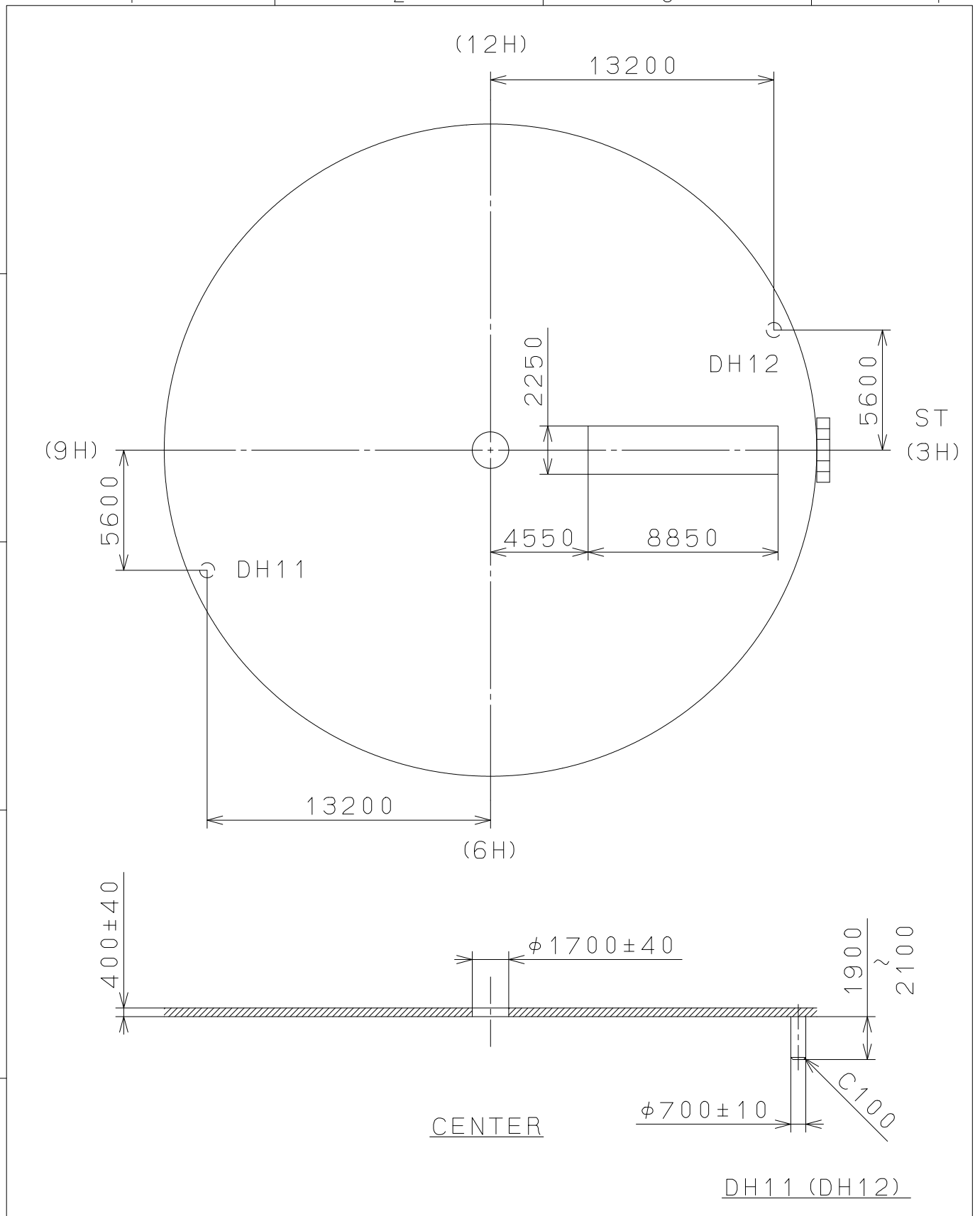


This drawing is provisional and subject to our reconfirmation and/or revision without notice.



| | | | | | |
|----------------|------|-------------|--------------------|-------------|--------------------------------------|
| △ | | | Quantity | | Cal.NO.: |
| △ | | | Unit | 1 / 1000 mm | 2405-2AU |
| △ | | | Scale | 4 : 1 | Parts No.: |
| △ | | | Date | | |
| △ | | | Drawn | | |
| Mark | Date | Description | Appro. | Checked | Name: |
| | | Alterations | Approved | D. Yamada | Indications for Dial |
| Material | | | | | Drawing No.: 240502D0 |
| Heat Treatment | | | General Tolerances | | MIYOTA |
| Hardness | | | Dimensions | | |
| Plating | | | Angles | | |
| | | | | | CITIZEN WATCH CO., LTD. TOKYO, JAPAN |