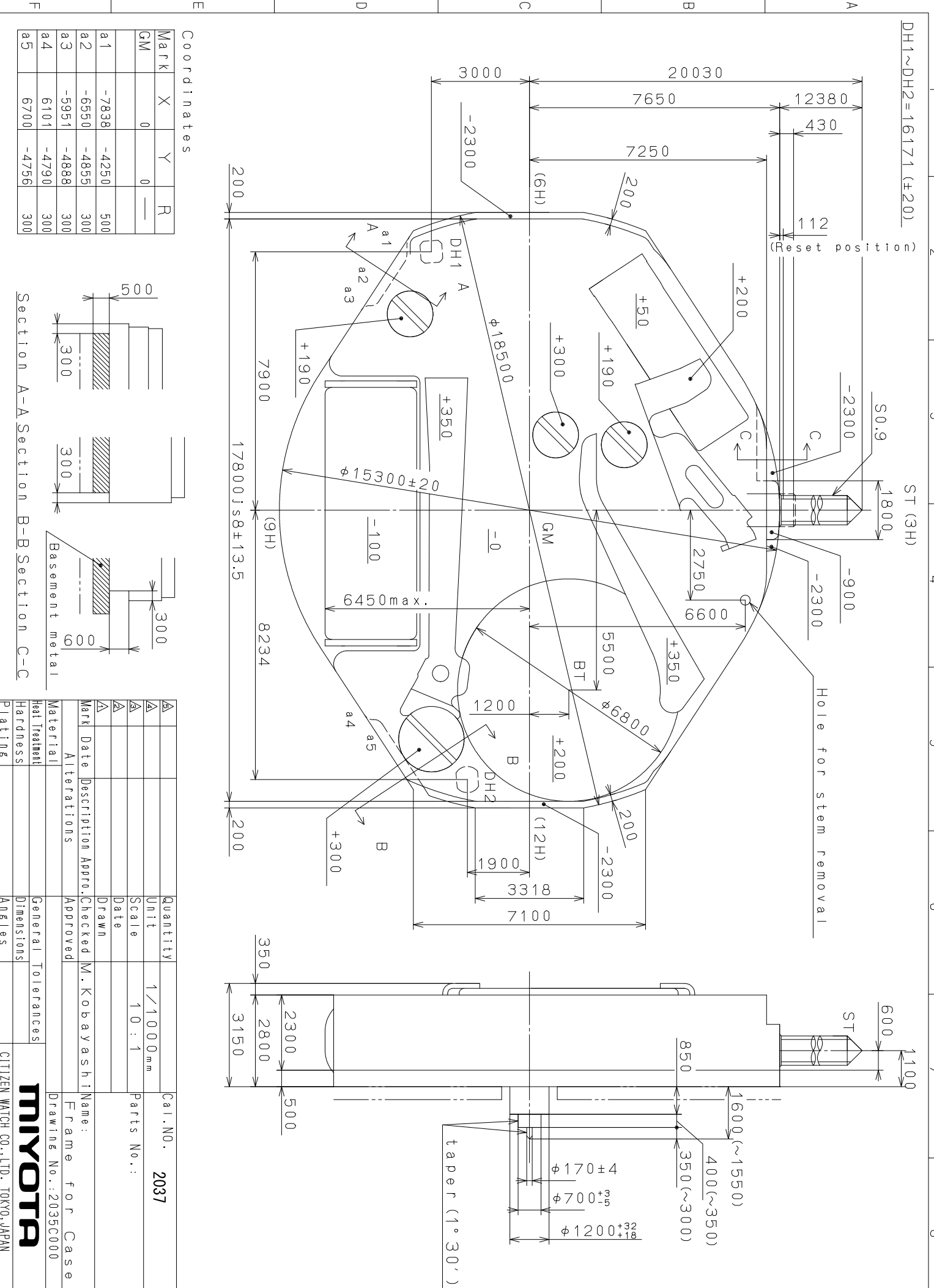
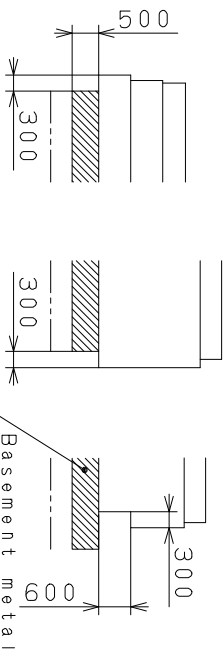


This drawing is provisional and subject to our reconfirmation and/or revision without notice.



Coordinates

Mark	X	Y	R
GM	0	0	—
a1	-7838	-4250	500
a2	-6550	-4855	300
a3	-5951	-4888	300
a4	6101	-4790	300
a5	6700	-4756	300



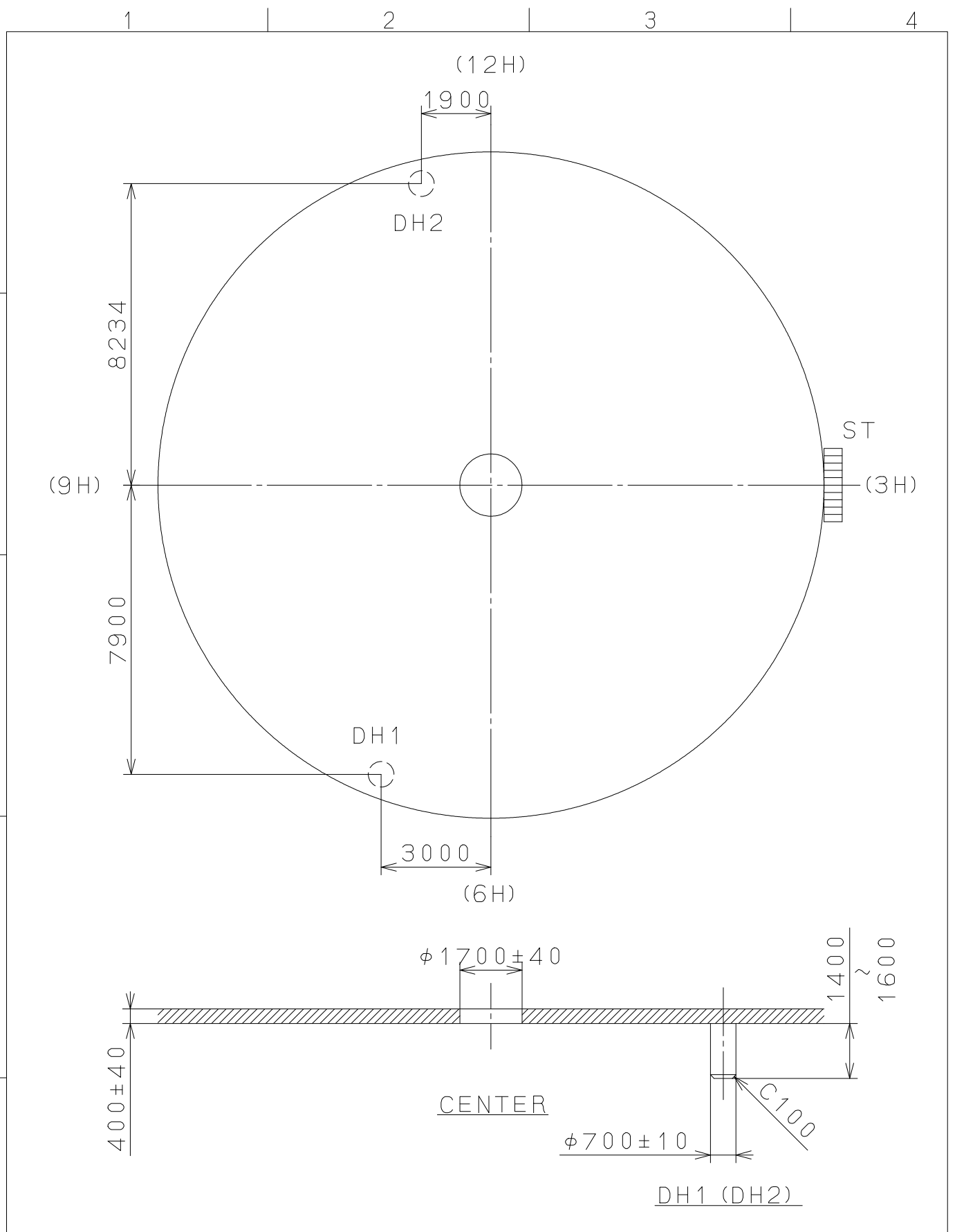
Material	Quantity	Unit	Cal. NO.
Material	1	1/1000 mm	2037
Heat Treatment		Scale	10 : 1
Hardness		Date	
Plating		Drawn	
		Checked	
		Approved	
Material Alterations		Name: M. Kobayashi	
General Tolerances		Frame for Case	
Dimensions		Drawing No.: 2035C000	
Angles		CITIZEN WATCH CO., LTD. TOKYO, JAPAN	

Section A-A Section B-B Section C-C

MIYOTA

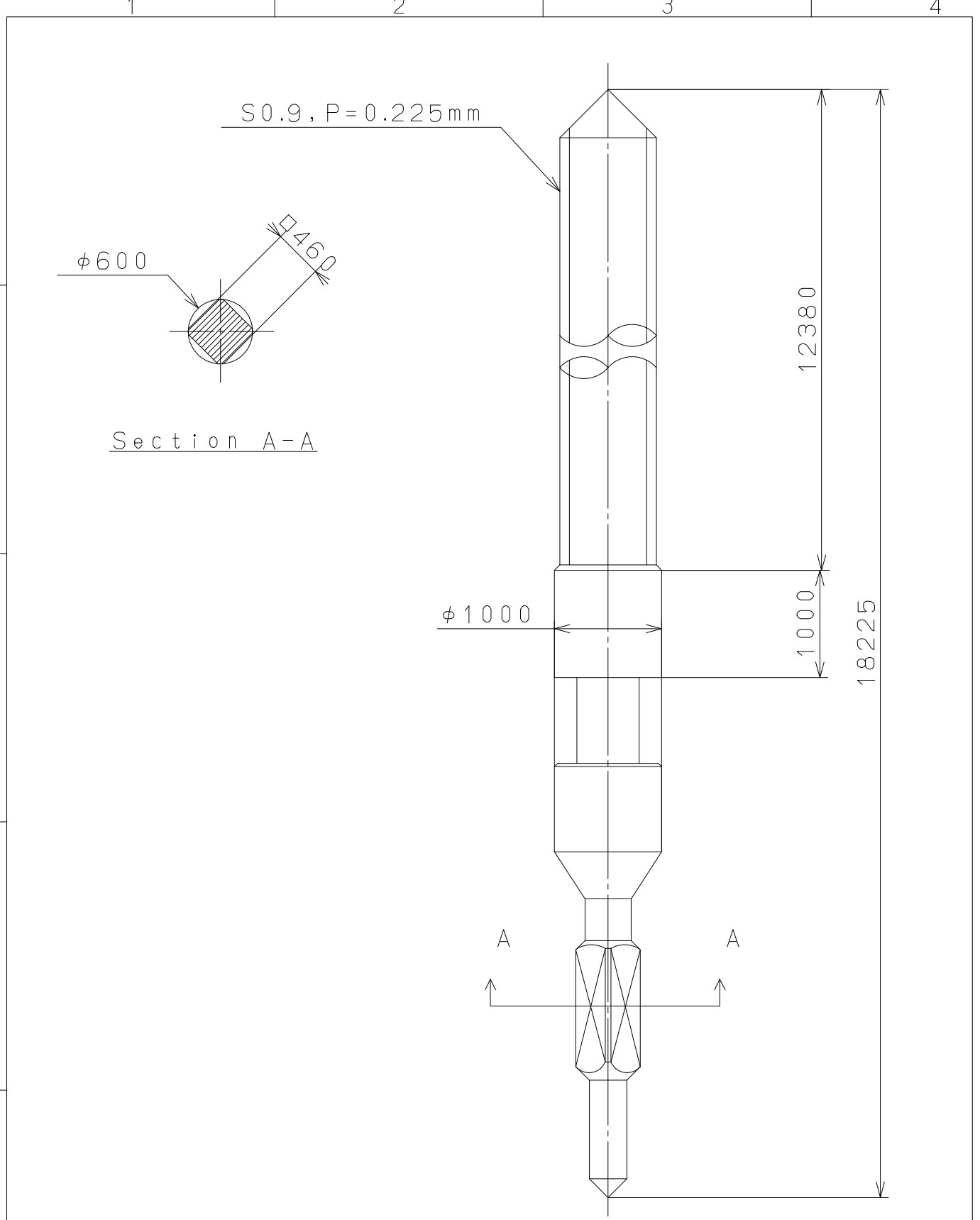
2009/08/21 (11:21:23)

This drawing is provisional and subject to our reconfirmation and/or revision without notice.



△5			Quantity		Cal. NO.	2037-00A
△4			Unit	1 / 1000 mm		
△3			Scale	7 : 1	Parts No.:	
△2			Date			
△1			Drawn			
Mark	Date	Description	Appr.	Checked	T. Hiruta	Name:
Alterations			Approved			Indications for Dial
Material					Drawing No.: 2035D000	
Heat Treatment					MIYOTA CITIZEN WATCH CO., LTD. TOKYO, JAPAN	
Hardness						
Plating						

This drawing is provisional and subject to our reconfirmation and/or revision without notice.



△5			Quantity		Cal.NO.:
△4			Unit	1 / 1000 mm	
△3			Scale	20 : 1	Parts No.:
△2			Date		065-468
△1			Drawn		
Mark	Date	Description	Appro.	Checked	M. Kobayashi
Alterations			Approved	Name:	
			SETTING STEM		
Material					Drawing No.: 4680S001
Heat Treatment					MIYOTA CITIZEN WATCH CO., LTD. TOKYO, JAPAN
Hardness	General Tolerances				
Plating	Dimensions				
	Angles				