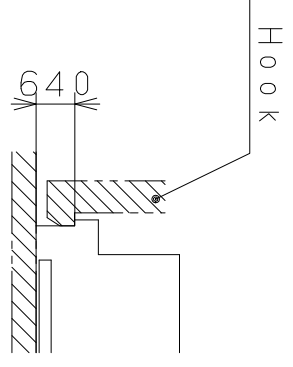
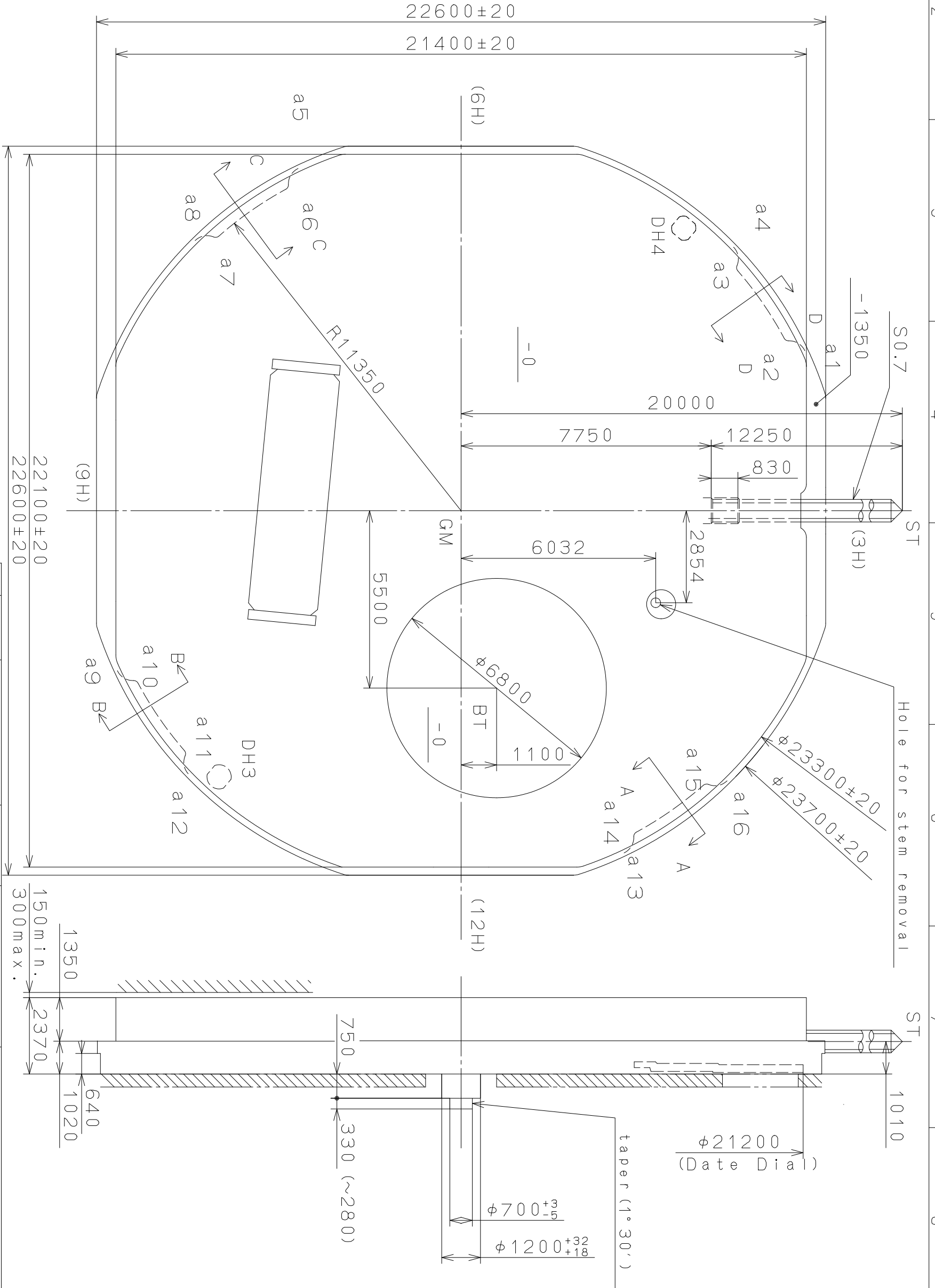


This drawing is provisional and subject to our reconfirmation and/or revision without notice.

DH3~DH4=22287±20

Coordinates

Mark	X	Y	R
GM	0	0	-
DH3	8251	-7500	-
DH4	-8759	6900	-
a1	-7996	7871	530
a2	-8624	7608	150
a3	-10099	5501	150
a4	-10131	4822	530
a5	-7803	-8063	530
a6	-7535	-8688	150
a7	-5416	-10145	150
a8	-4736	-10171	530
a9	7996	-7871	530
a10	8624	-7608	150
a11	10099	-5501	150
a12	10131	-4822	530
a13	7803	8063	530
a14	7535	8688	150
a15	5416	10145	150
a16	4736	10171	530



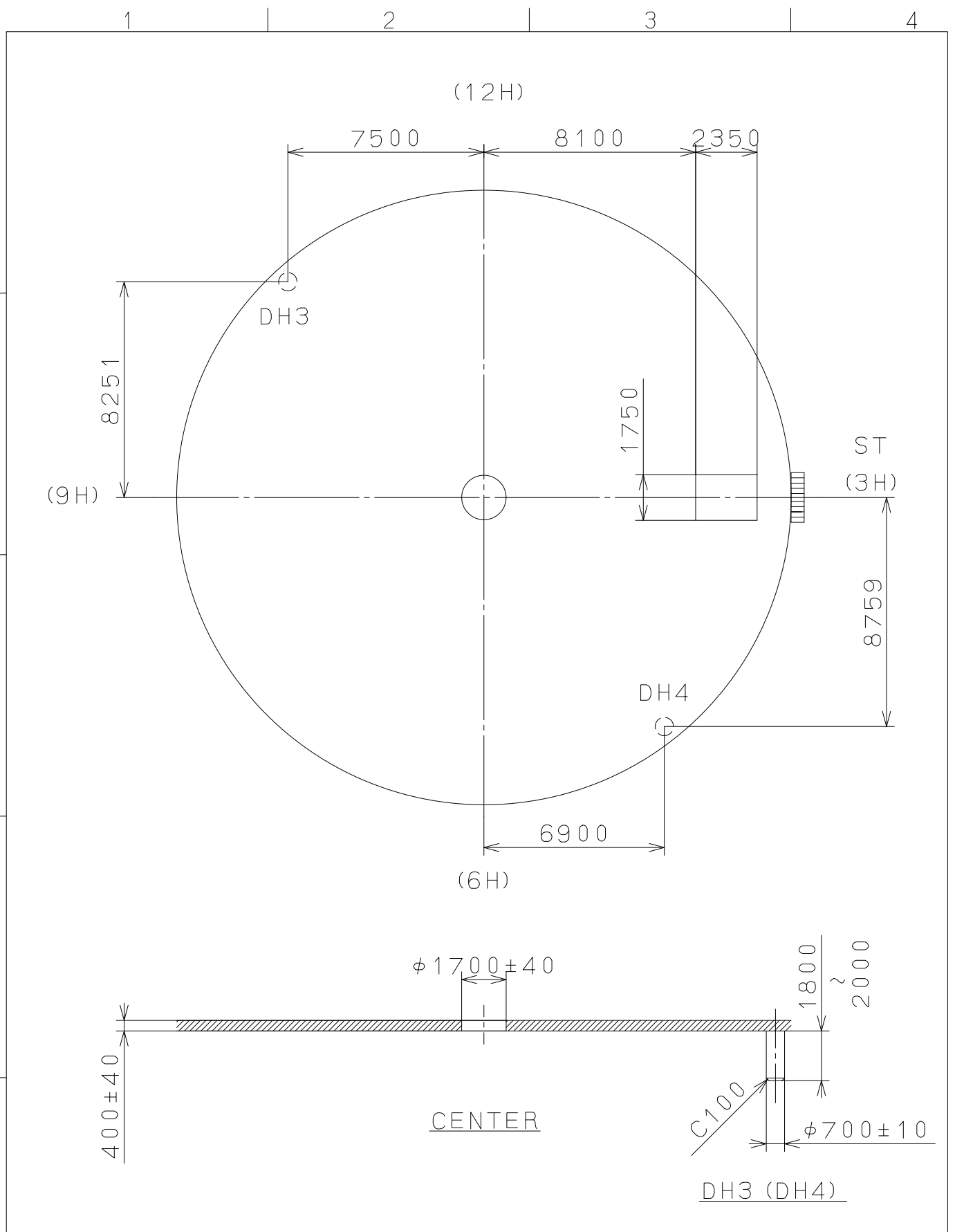
Section A-A, B-B, C-C, D-D

△	Quantity	Unit	1/1000 mm	Cal. NO.:	9U17
△	Scale	8 : 1	Parts No.:		
△	Date	Drawn		Name:	Frame for Case
△	Mark	Date	Description	Appro.	Checked
△	Alterations	Approved			
△	Material				
△	Heat Treatment				
△	Hardness				
△	Plating				
	General Tolerances				
	Dimensions				
	Angles				

MIYOTA
CITIZEN WATCH CO., LTD. TOKYO, JAPAN

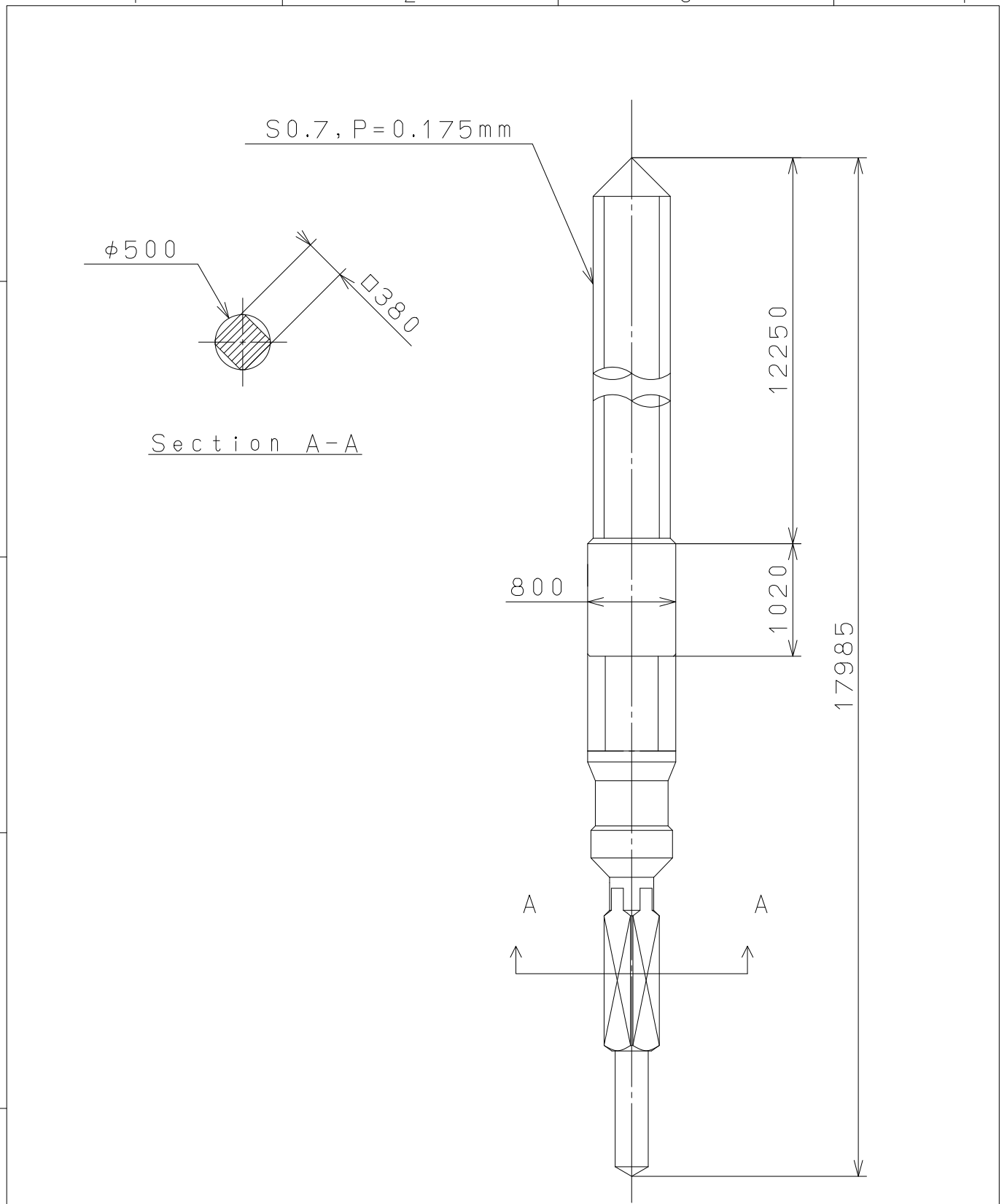
Drawing No.: 9U1700C0

This drawing is provisional and subject to our reconfirmation and/or revision without notice.



△			Quantity		Cal. NO.:
△			Unit	1 / 1000 mm	9U17-00A
△			Scale	5 : 1	Parts No.:
△			Date		
△			Drawn		
Mark	Date	Description	Appr.	Checked	Name:
Alterations			Approved		Indications for Dial
Material					Drawing No.: 9U1700D0
Heat Treatment					MIYOTA
Hardness					
Plating					
					CITIZEN WATCH CO., LTD. TOKYO, JAPAN

This drawing is provisional and subject to our reconfirmation and/or revision without notice.



△5			Quantity		Cal.NO.:
△4			Unit	1/1000mm	
△3			Scale	20:1	Parts No.:
△2			Date		065-495
△1			Drawn		
Mark	Date	Description	Appro.	Checked	D.Yamada
Alterations			Approved	Name: SETTING STEM	
Material					Drawing No.: 495000S0
Heat Treatment	General Tolerances				MIYOTA
Hardness	Dimensions				
Plating	Angles				
					CITIZEN WATCH CO.,LTD. TOKYO,JAPAN