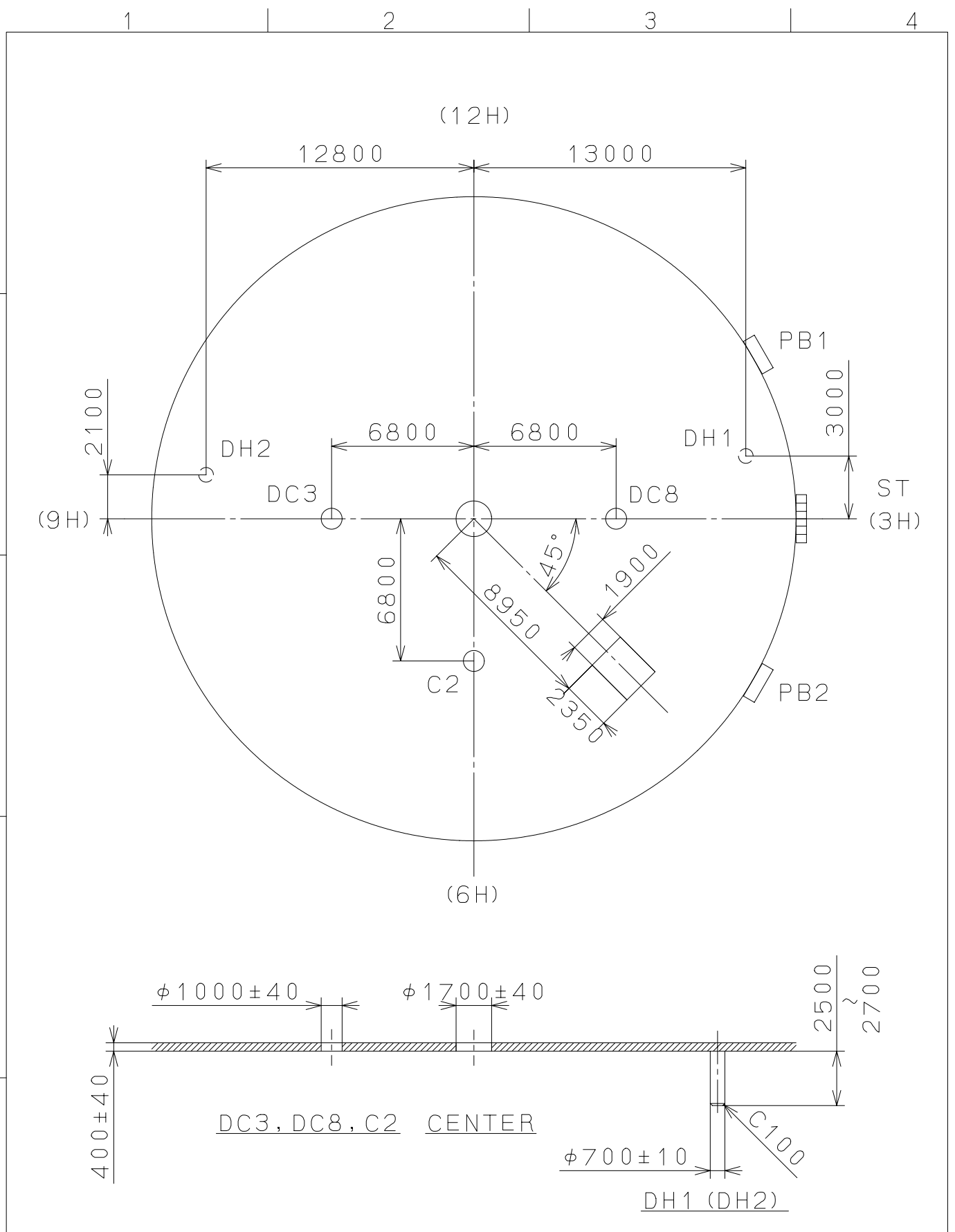


2007/02/13 (16:01:01)

This drawing is provisional and subject to our reconfirmation and/or revision without notice.



△			Quantity		Cal. NO. : OS20-10A / -1AG / -1AQ
△			Unit	1 / 1000 <sub>mm</sub>	OS25-10A / -1AQ
△			Scale	4 / 1	Parts No. :
△			Date		
△			Drawn		
Mark	Date	Description	Appr.	Checked	Name : M. Fukuda
Alterations			Approved		Indications for Dial
Material					Drawing No. : OS25D000
Heat Treatment					<b>MIYOTA</b> CITIZEN WATCH CO., LTD. TOKYO, JAPAN
Hardness					
Plating					