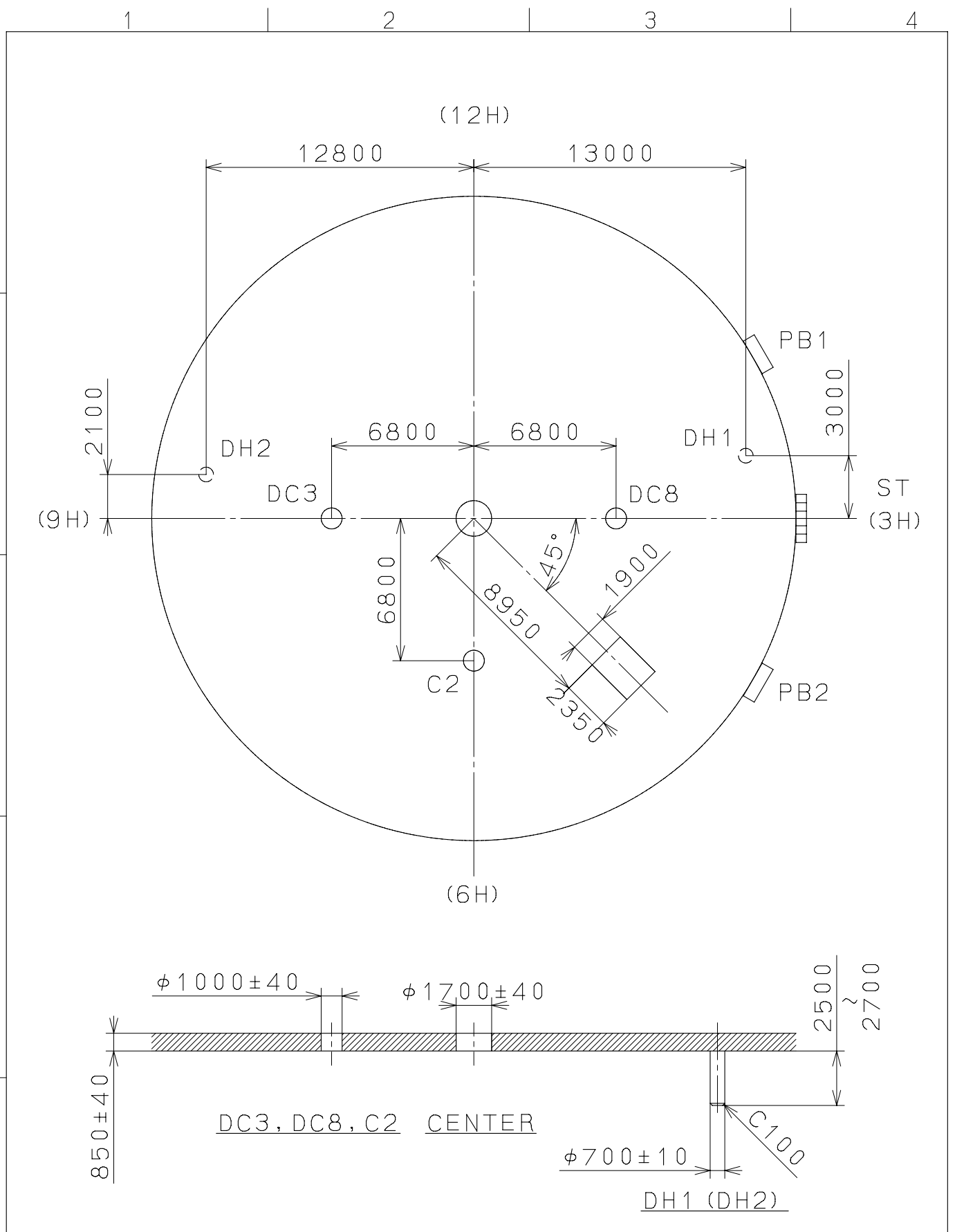


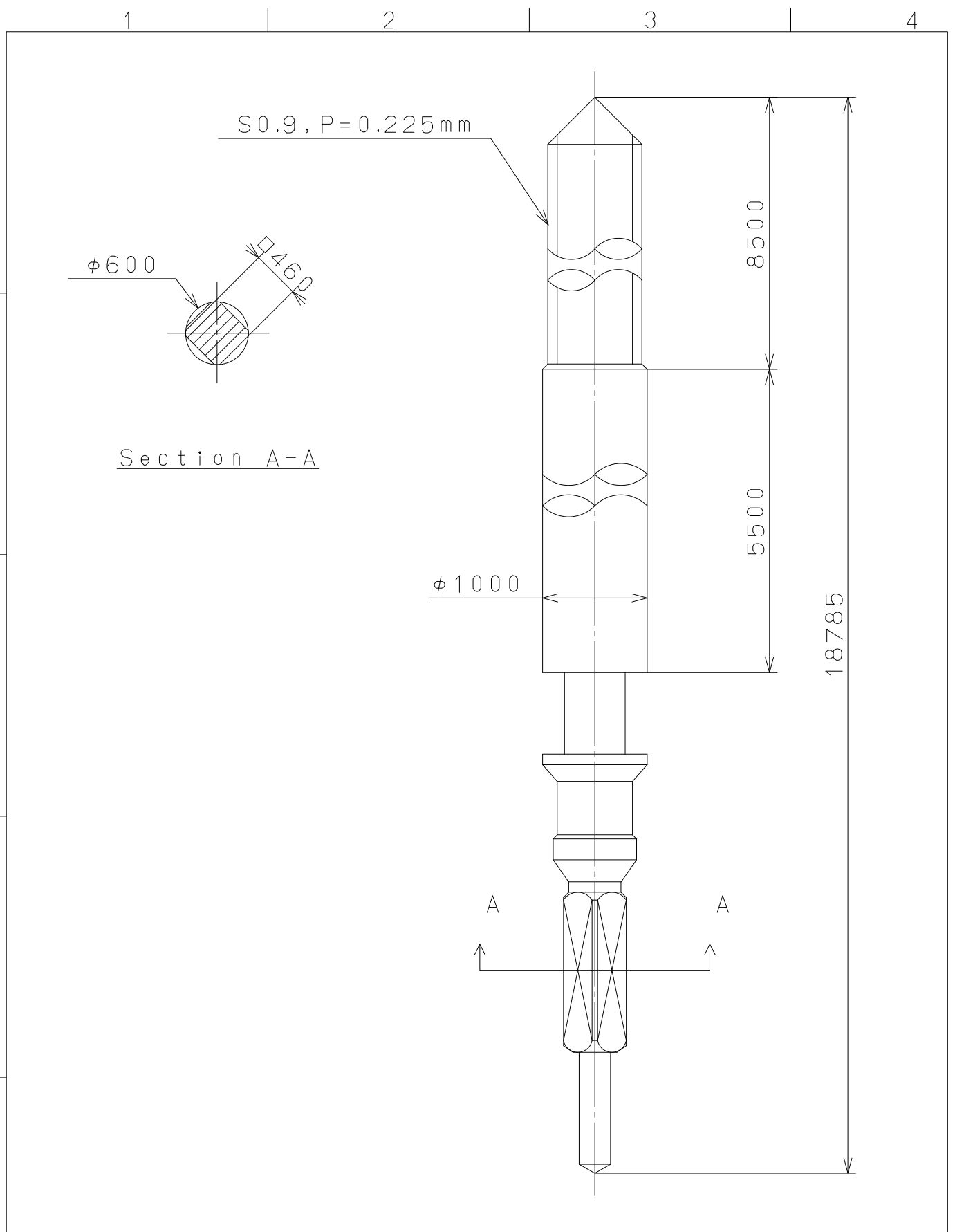
2008/02/27 (07:58:41)

This drawing is provisional and subject to our reconfirmation and/or revision without notice.



△			Quantity		Cal.NO.:
△			Unit	1/1000 _{mm}	OS2A-00A
△			Scale	4:1	Parts No.:
△			Date		
△			Drawn		
Mark	Date	Description	Appr.	Checked	Name:
		Alterations	Approved	N. Suzuki	Indications for Dial
Material					Drawing No.: OS2AD000
Heat Treatment			General Tolerances	MIYOTA CITIZEN WATCH CO., LTD. TOKYO, JAPAN	
Hardness			Dimensions		
Plating			Angles		

This drawing is provisional and subject to our reconfirmation and/or revision without notice.



△5			Quantity		Cal.NO.:	
△4			Unit	1 / 1000 mm		
△3			Scale	20 : 1	Parts No.:	
△2			Date		065-453	
△1			Drawn			
Mark	Date	Description	Appr.	Checked	E. Murakami	Name:
Alterations			Approved	SETTING STEM		
Material					Drawing No.: 4530S000	
Heat Treatment					MIYOTA CITIZEN WATCH CO., LTD. TOKYO, JAPAN	
Hardness	General Tolerances					
Plating	Dimensions					
	Angles					