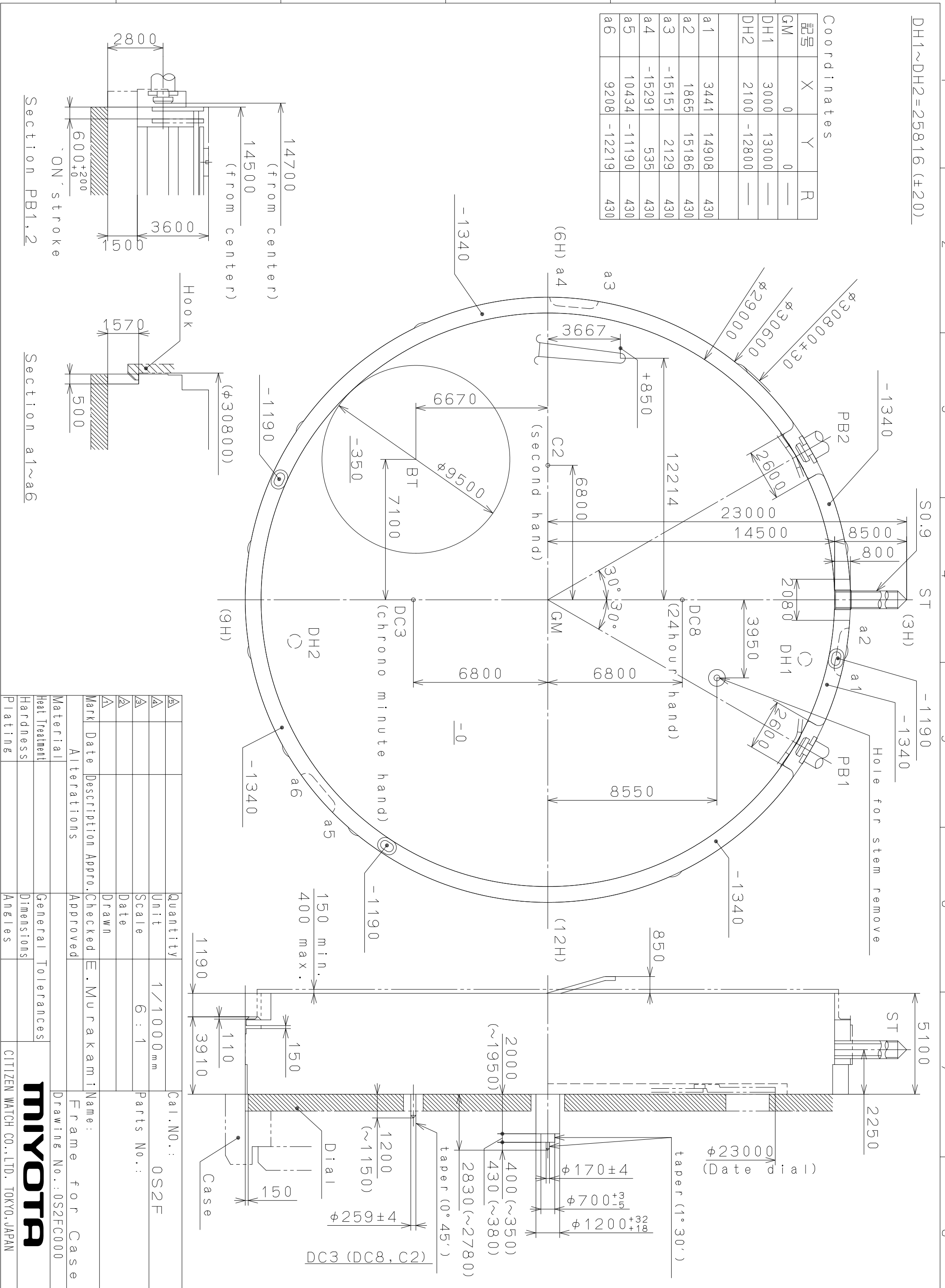


Coordinates			
記号	X	Y	R
GM	0	0	—
DH1	3000	13000	—
DH2	2100	-12800	—
a1	3441	14908	430
a2	1865	15186	430
a3	-15151	2129	430
a4	-15291	535	430
a5	10434	-11190	430
a6	9208	-12219	430



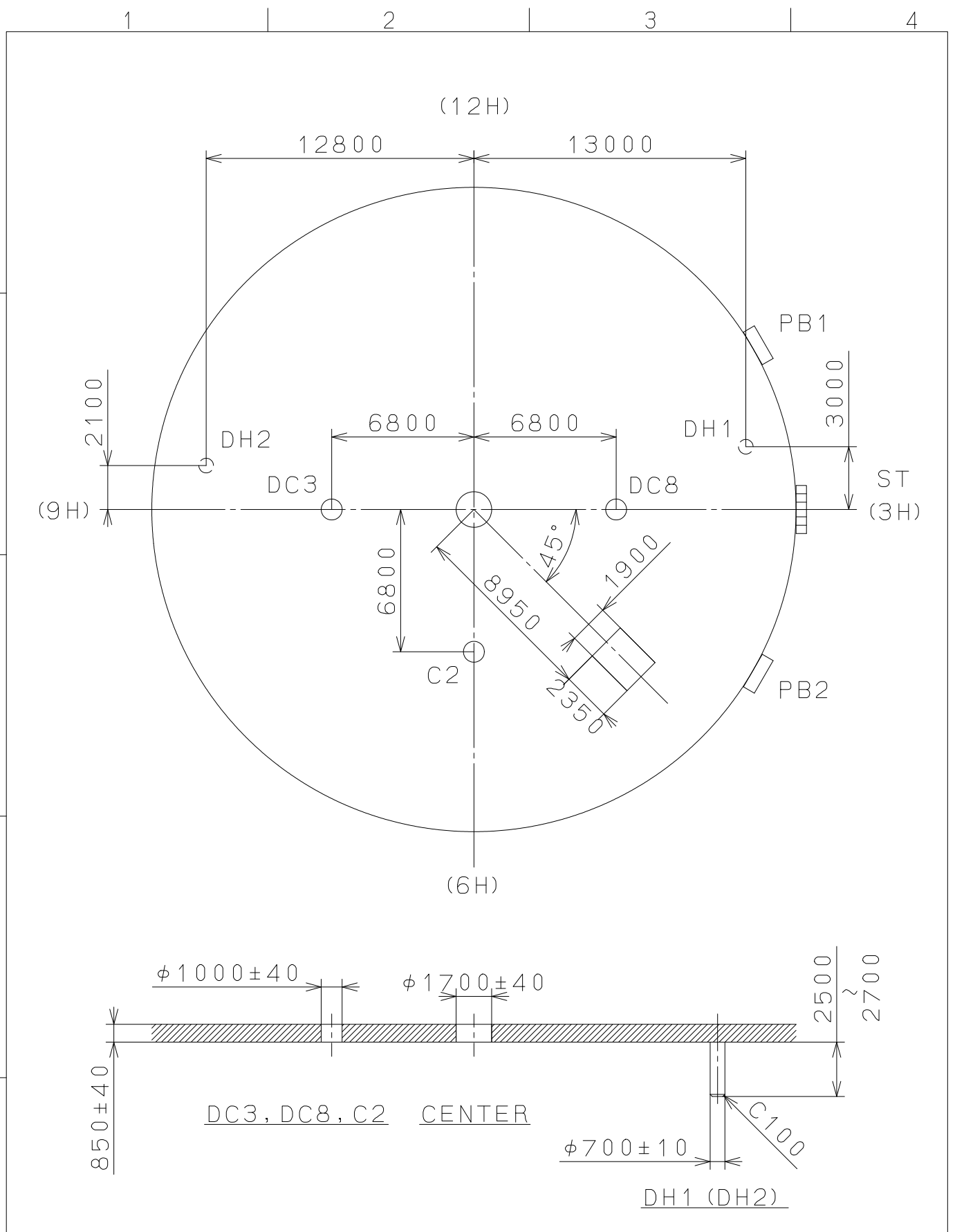
Quantity	Unit	Cal. NO.:
1	1/1000 mm	OS2F
1	Scale	6 : 1
1	Date	
1	Drawn	
1	Checked	E. Murakami
1	Approved	

Material	General Tolerances
Alterations	Dimensions
Heat Treatment	Angles
Hardness	
Plating	

Name: **MIYOTA**
Drawing No.: OS2FC000
CITIZEN WATCH CO., LTD. TOKYO, JAPAN

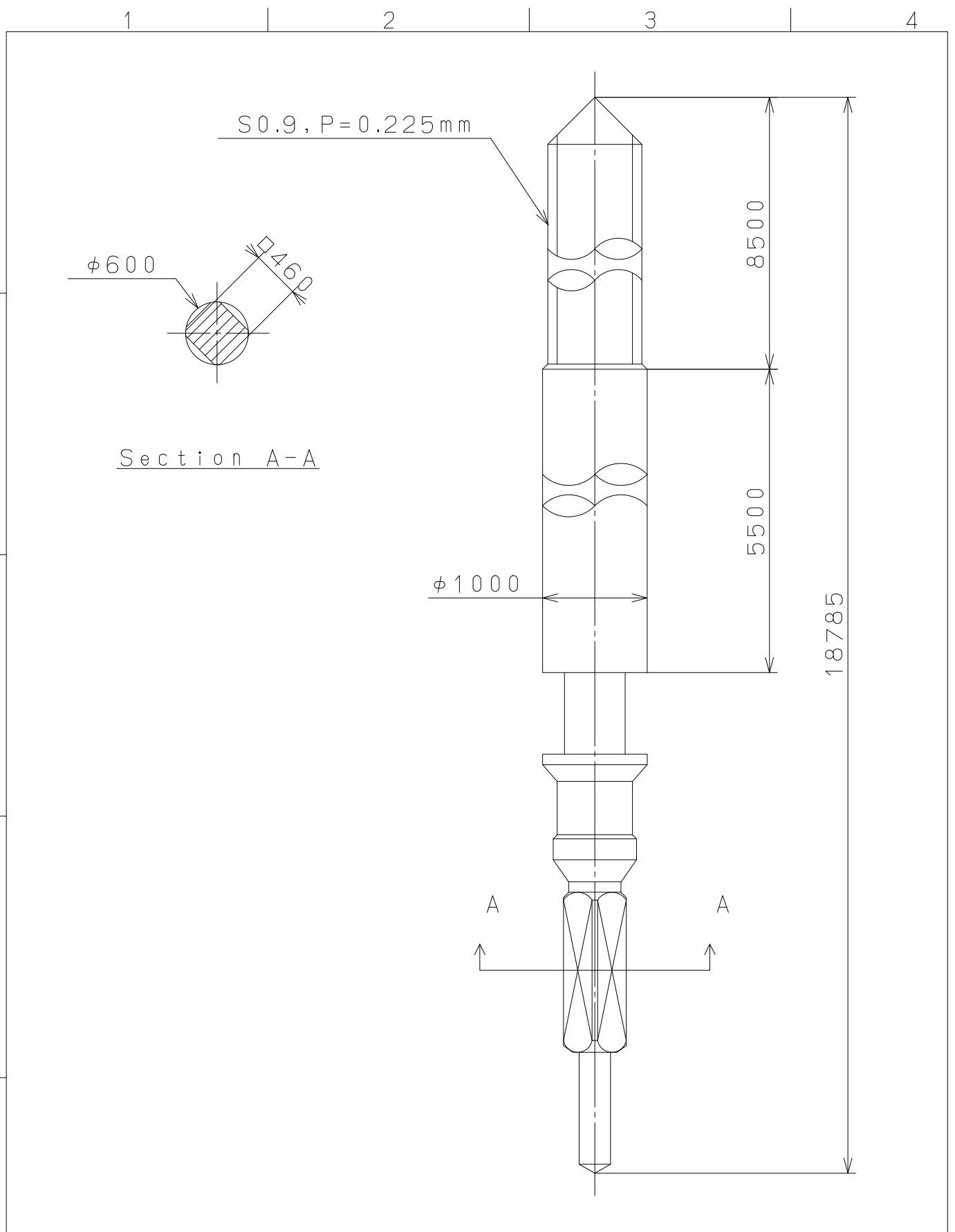
CONFIDENTIAL 2015/02/27 (13:13:25)

This drawing is provisional and subject to our reconfirmation and/or revision without notice.



△			Quantity		Cal.NO.:
△			Unit	1 / 1000 mm	OS2F-10A
△			Scale	4 : 1	Parts No.:
△			Date		
△			Drawn		
Mark	Date	Description	Appr.	Checked	E. Murakami
Alterations			Approved		Indications for Dial
Material					Drawing No.: OS2FD000
Heat Treatment					MIYOTA CITIZEN WATCH CO., LTD. TOKYO, JAPAN
Hardness					
Plating					

This drawing is provisional and subject to our reconfirmation and/or revision without notice.



△5			Quantity		Cal.NO.:
△4			Unit	1 / 1000 mm	
△3			Scale	20 : 1	Parts No.:
△2			Date		065-453
△1			Drawn		
Mark	Date	Description	Appro.	Checked	E. Murakami
Alterations			Approved	Name: SETTING STEM	
Material					Drawing No.: 4530S000
Heat Treatment					MIYOTA
Hardness					
Plating					
			General Tolerances	CITIZEN WATCH CO., LTD. TOKYO, JAPAN	
			Dimensions		
			Angles		