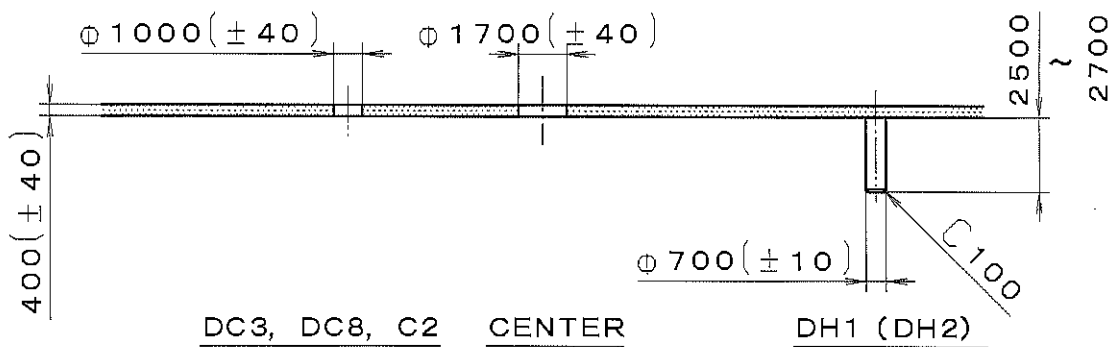
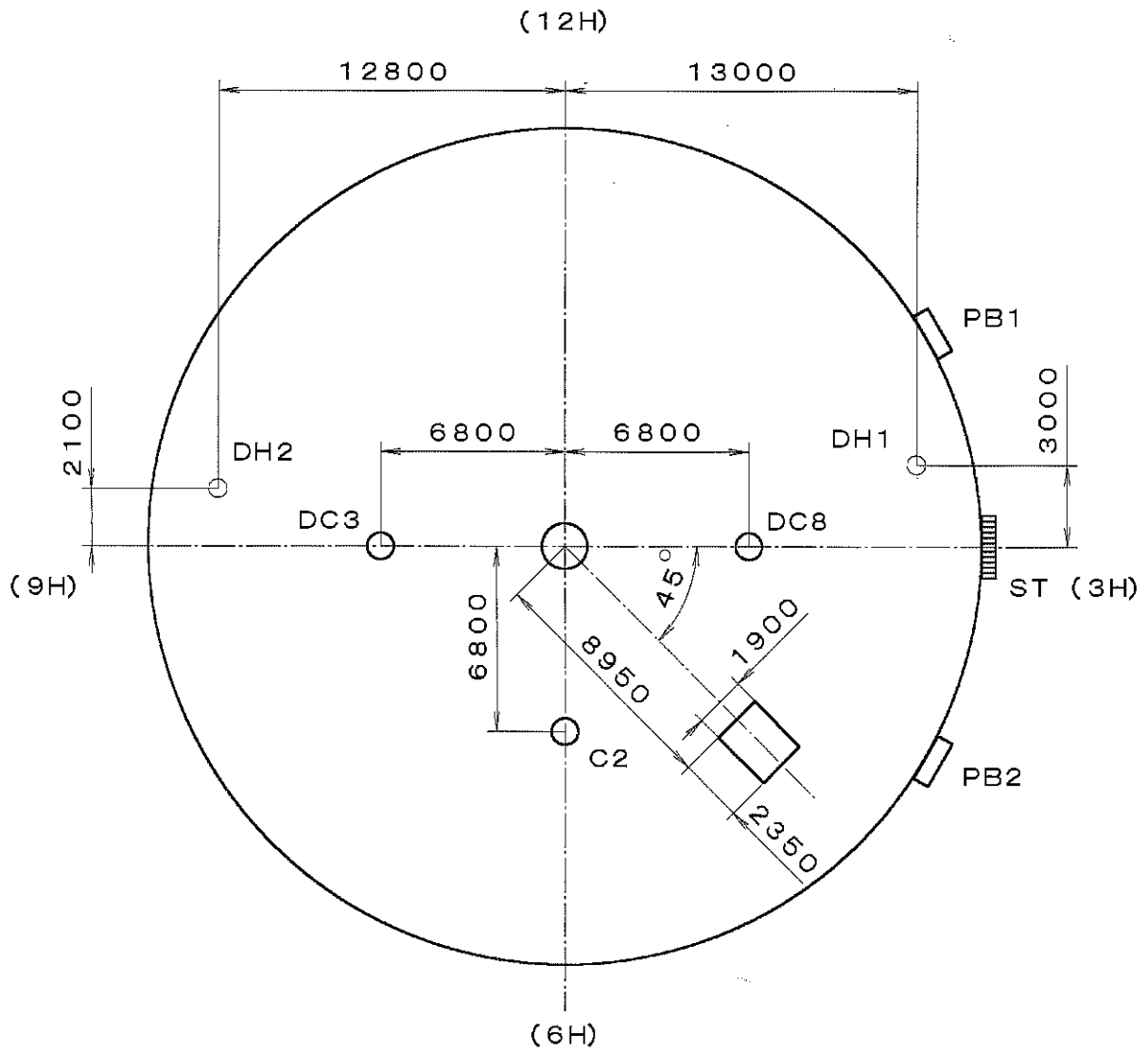


This drawing is provisional and subject to our reconfirmation and/or revision without notice.

*** TIPW OS20-00A (01) *** (2100 1121) 01-01-80



DC3, DC8, C2 CENTER

DH1 (DH2)

△		Quantity		Cal. No. : 0S2B-00A
△		Unit	1/1000 mm	
△		Scale	4:1	Parts:
△		Date		
△		Drawn		Name:
△		Checked	T. Hiruta	Indications for Dial
△		Approved		Drawing No. : OS20D000
Material				
Heat Treatment		General Tolerances		MIYOTA
Hardness		Dimensions		
Plating		Angles		