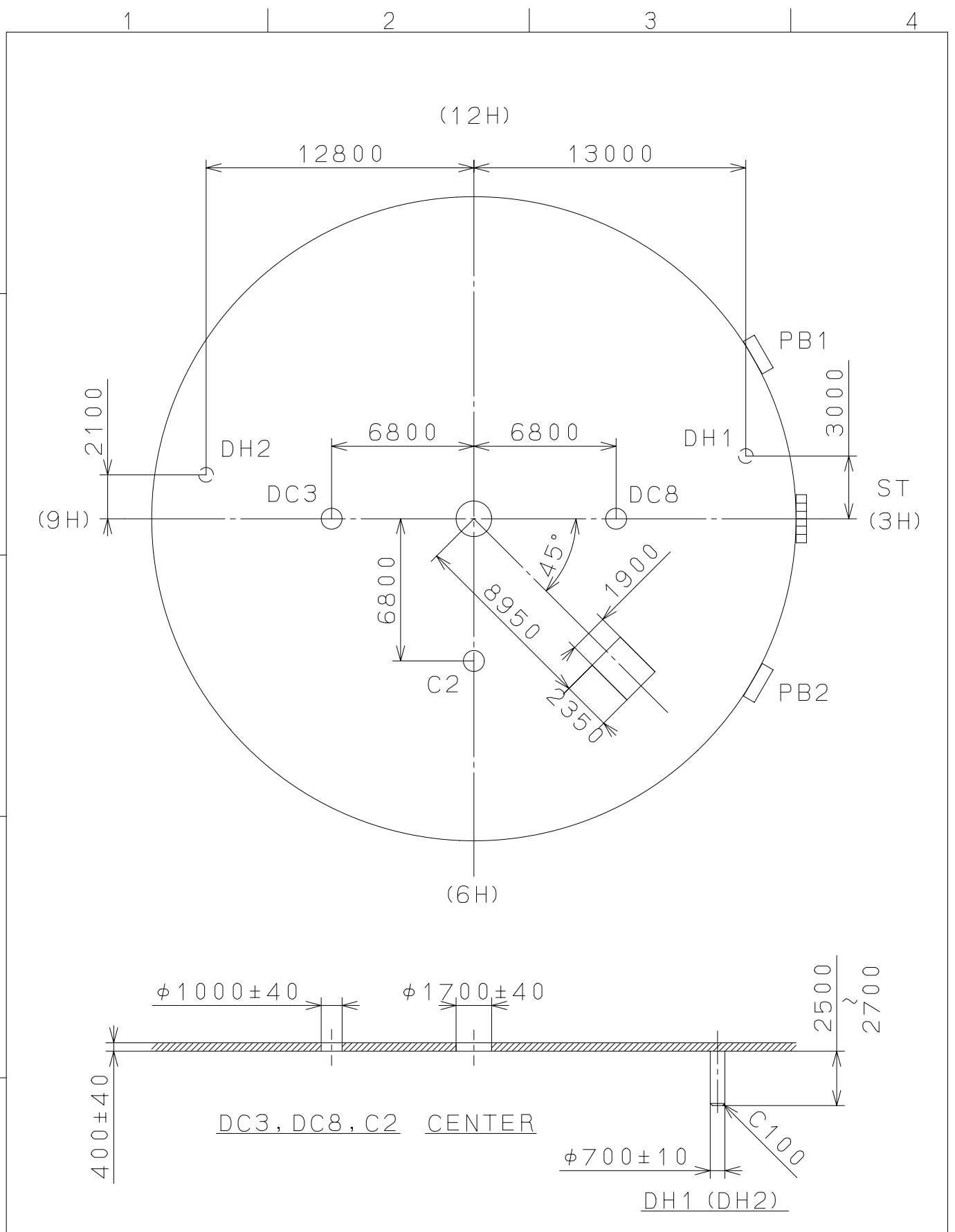




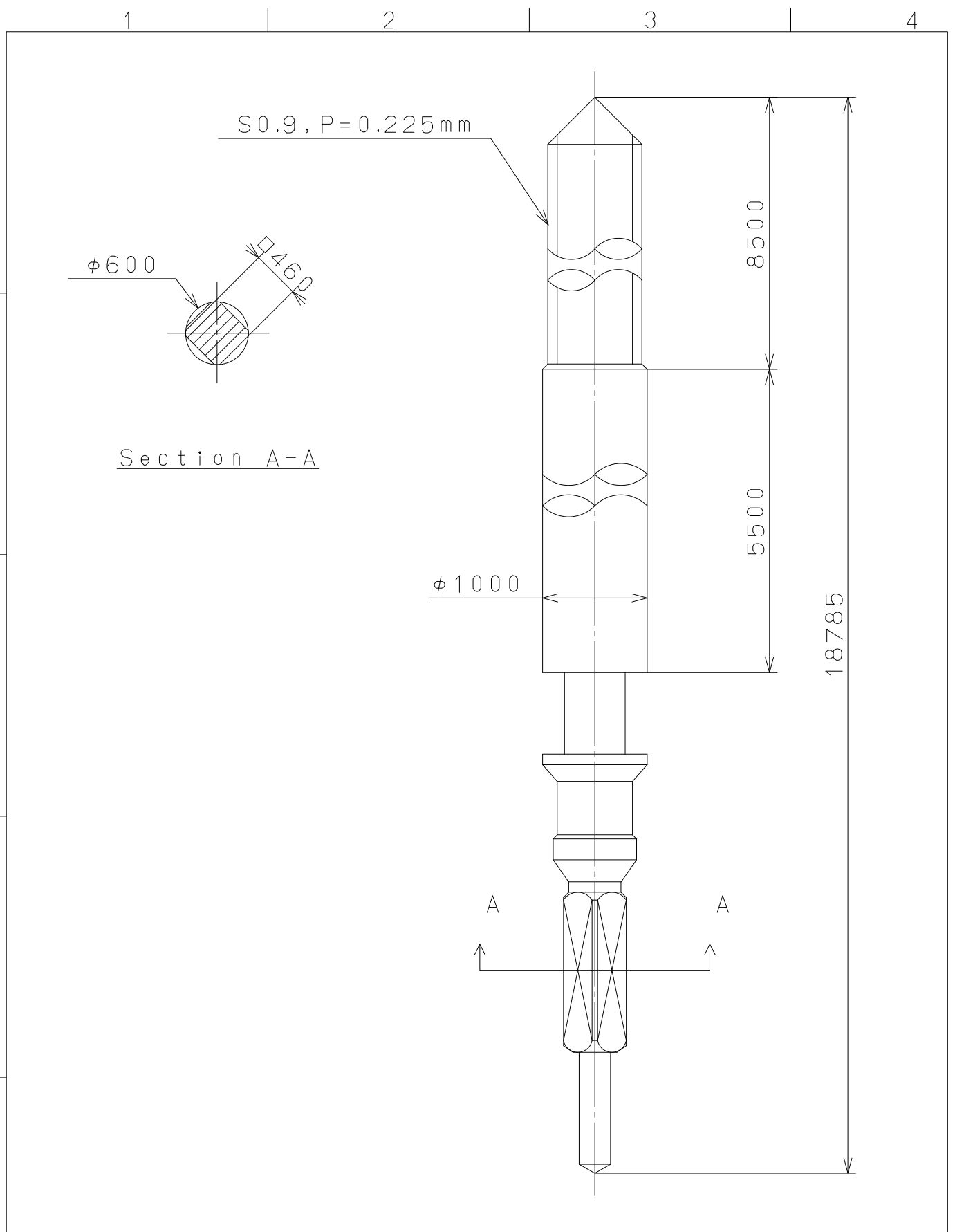
2007/02/13 (16:01:01)

This drawing is provisional and subject to our reconfirmation and/or revision without notice.



△			Quantity		Cal.NO.:
△			Unit	1 / 1000 mm	0S25-00A
△			Scale	4 / 1	Parts No.:
△			Date		
△			Drawn		
Mark	Date	Description	Appr.	Checked	Name:
		Alterations	Approved	M. Fukuda	Indications for Dial
Material					Drawing No.: 0S25D000
Heat Treatment			General	Tolerances	<b>MIYOTA</b>
Hardness			Dimensions		
Plating			Angles		
					CITIZEN WATCH CO., LTD. TOKYO, JAPAN

This drawing is provisional and subject to our reconfirmation and/or revision without notice.



△5			Quantity		Cal.NO.:
△4			Unit	1 / 1000 mm	
△3			Scale	20 : 1	Parts No.:
△2			Date		065-453
△1			Drawn		
Mark	Date	Description	Appro.	Checked	E. Murakami
Alterations			Approved	Name: SETTING STEM	
Material					Drawing No.: 4530S000
Heat Treatment					<b>MIYOTA</b>
Hardness					
Plating					
			General Tolerances	CITIZEN WATCH CO., LTD. TOKYO, JAPAN	
			Dimensions		
			Angles		