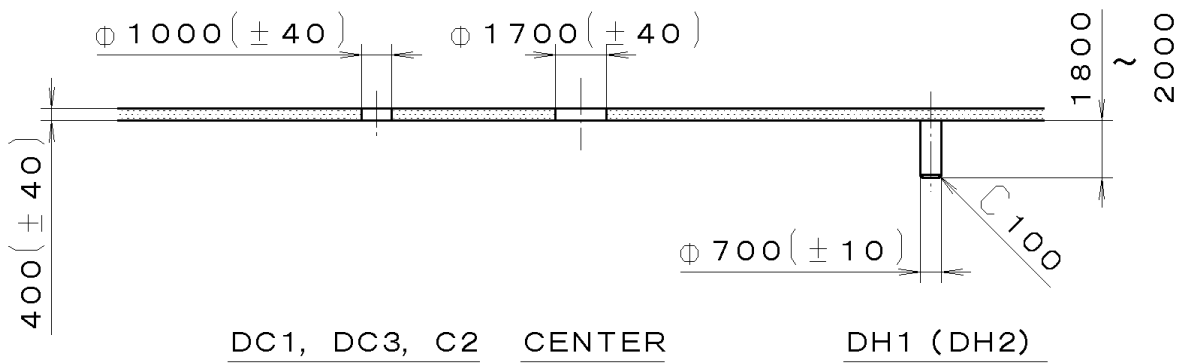
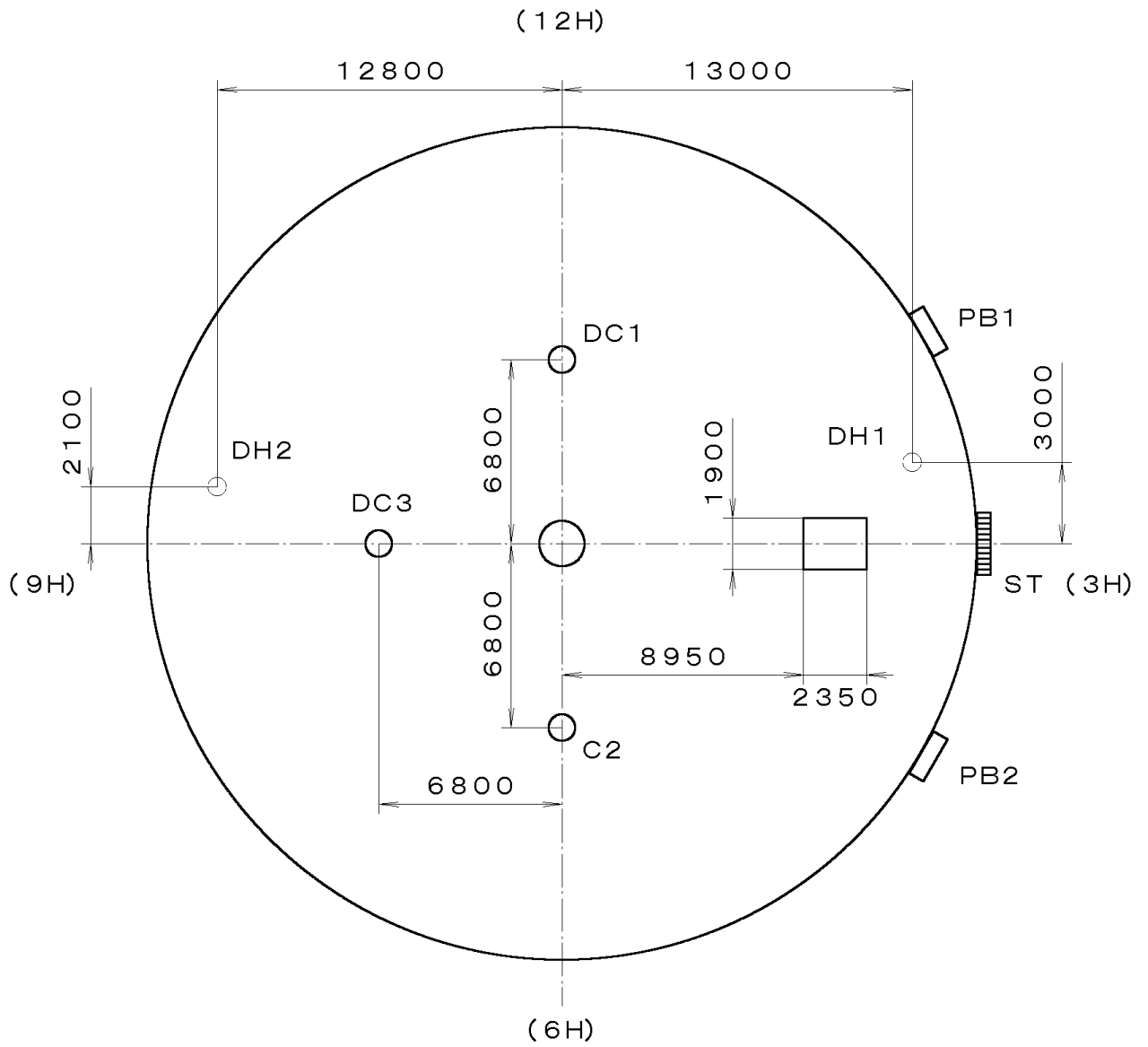


This drawing is provisional and subject to our reconfirmation and/or revision without notice.



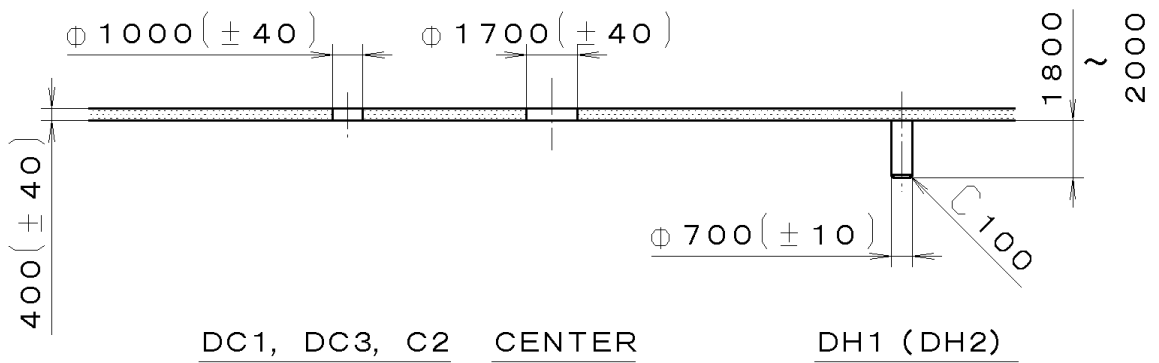
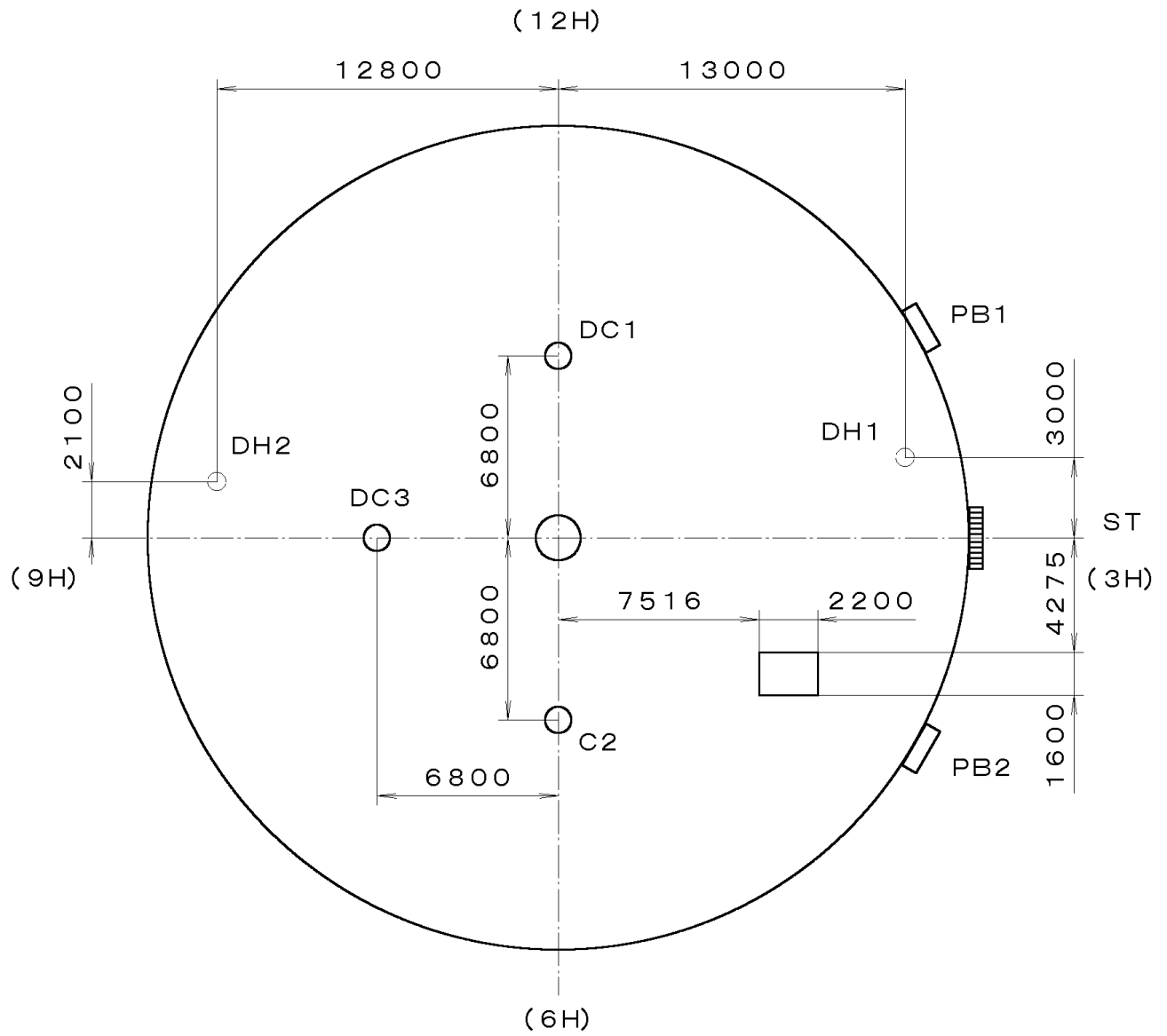
DC1, DC3, C2 CENTER

DH1 (DH2)

OS10-00A (01) *** (2100 1121) 00-07-06	7		Quantity		Cal. No. : OS10-00A OS60-00A
	6		Unit	1/1000 mm	
	5		Scale	4:1	Parts:
	4		Date		
	3		Drawn		
	2		Checked	T. Hiruta	Name:
	1		Approved		Indications for Dial
Material					Drawing No. : OS10D000
Heat Treatment			General Tolerances		MIYOTA
Hardness			Dimensions		
Plating			Angles		

This drawing is provisional and subject to our reconfirmation and/or revision without notice.

OS10-00S (01) *** (2100 1121) 00-07-06 30.5

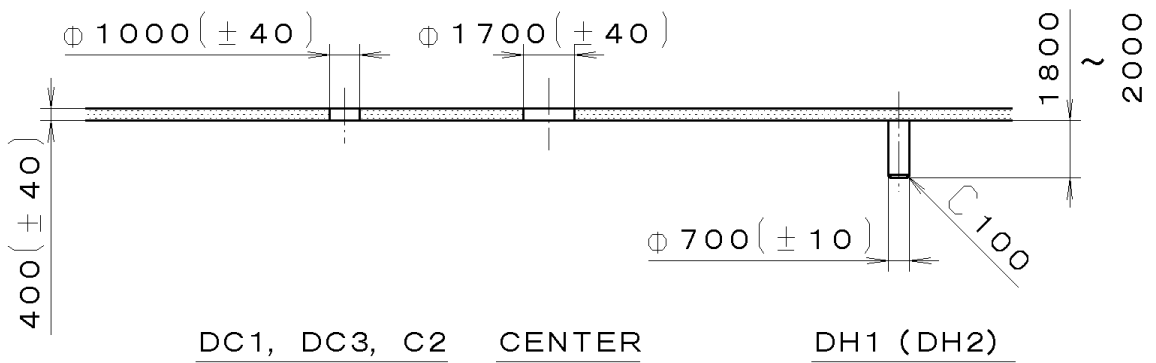
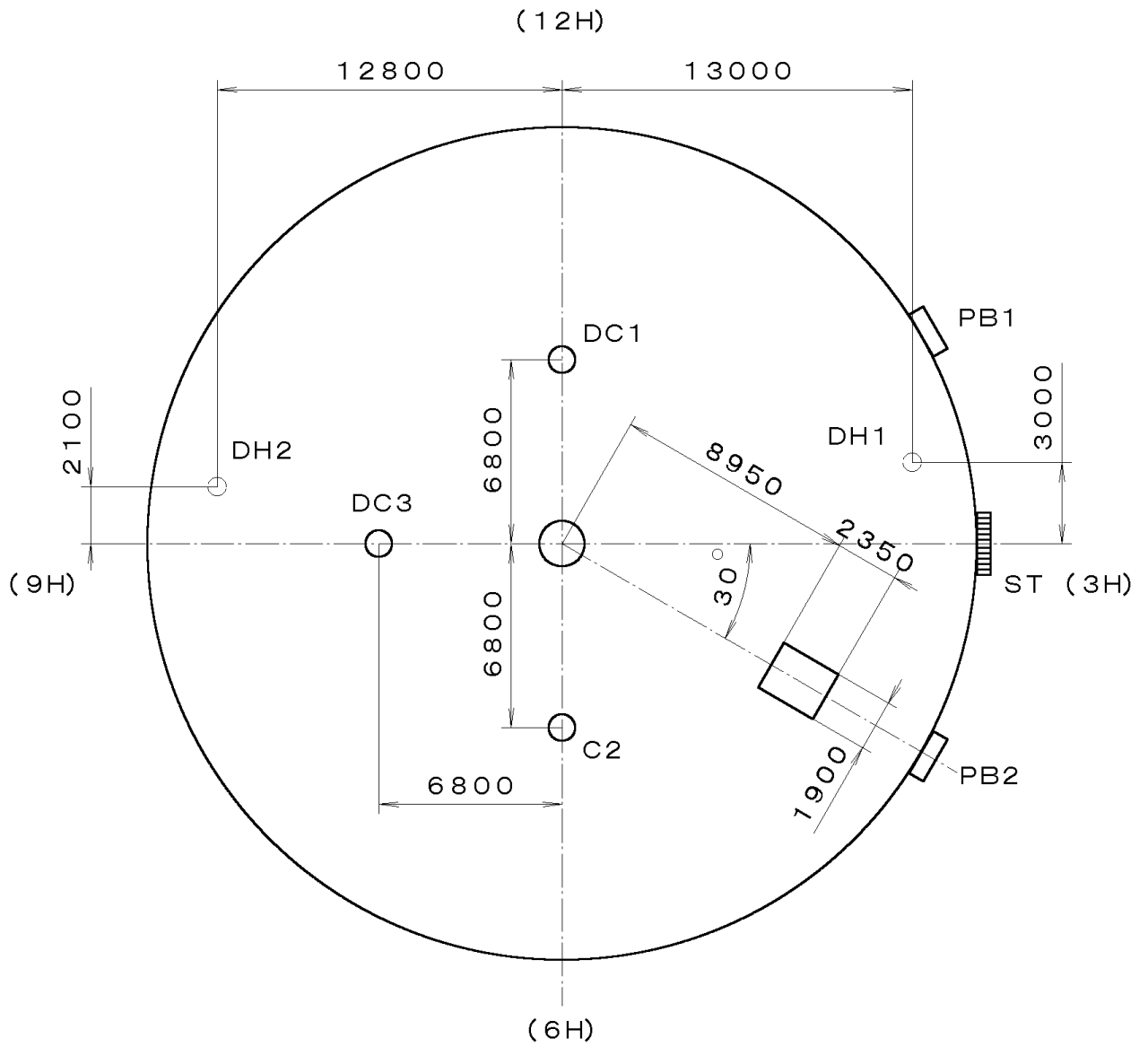


DC1, DC3, C2 CENTER

DH1 (DH2)

7		Quantity		Cal. No. : OS10-00S
6		Unit	1/1000 mm	OS60-00S
5		Scale	4:1	Parts:
4		Date		
3		Drawn		Name:
2		Checked	T. Hiruta	
1		Approved		Indications for Dial
Material				Drawing No. : OS10D010
Heat Treatment		General Tolerances		MIYOTA
Hardness		Dimensions		
Plating		Angles		

This drawing is provisional and subject to our reconfirmation and/or revision without notice.



OS10-00U (01) *** (2100 1121) 00-07-06
 *** T I P W

7		Quantity		Cal. No. : OS10-00U
6		Unit	1/1000 mm	OS60-00U
5		Scale	4:1	Parts:
4		Date		
3		Drawn		Name:
2		Checked	T. Hiruta	
1		Approved		Indications for Dial
Material				Drawing No. : OS10D020
Heat Treatment		General Tolerances		MIYOTA
Hardness		Dimensions		
Plating		Angles		