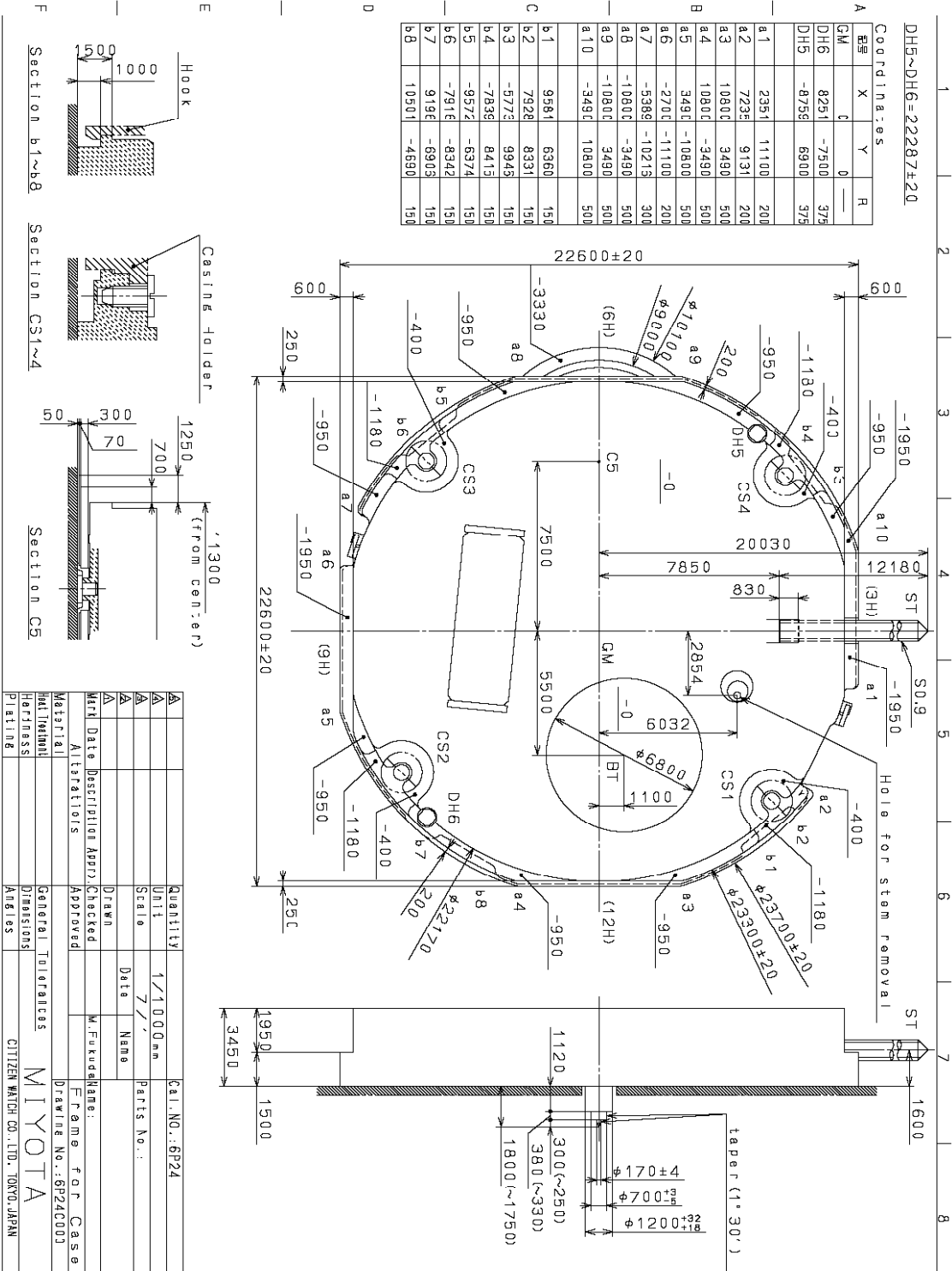
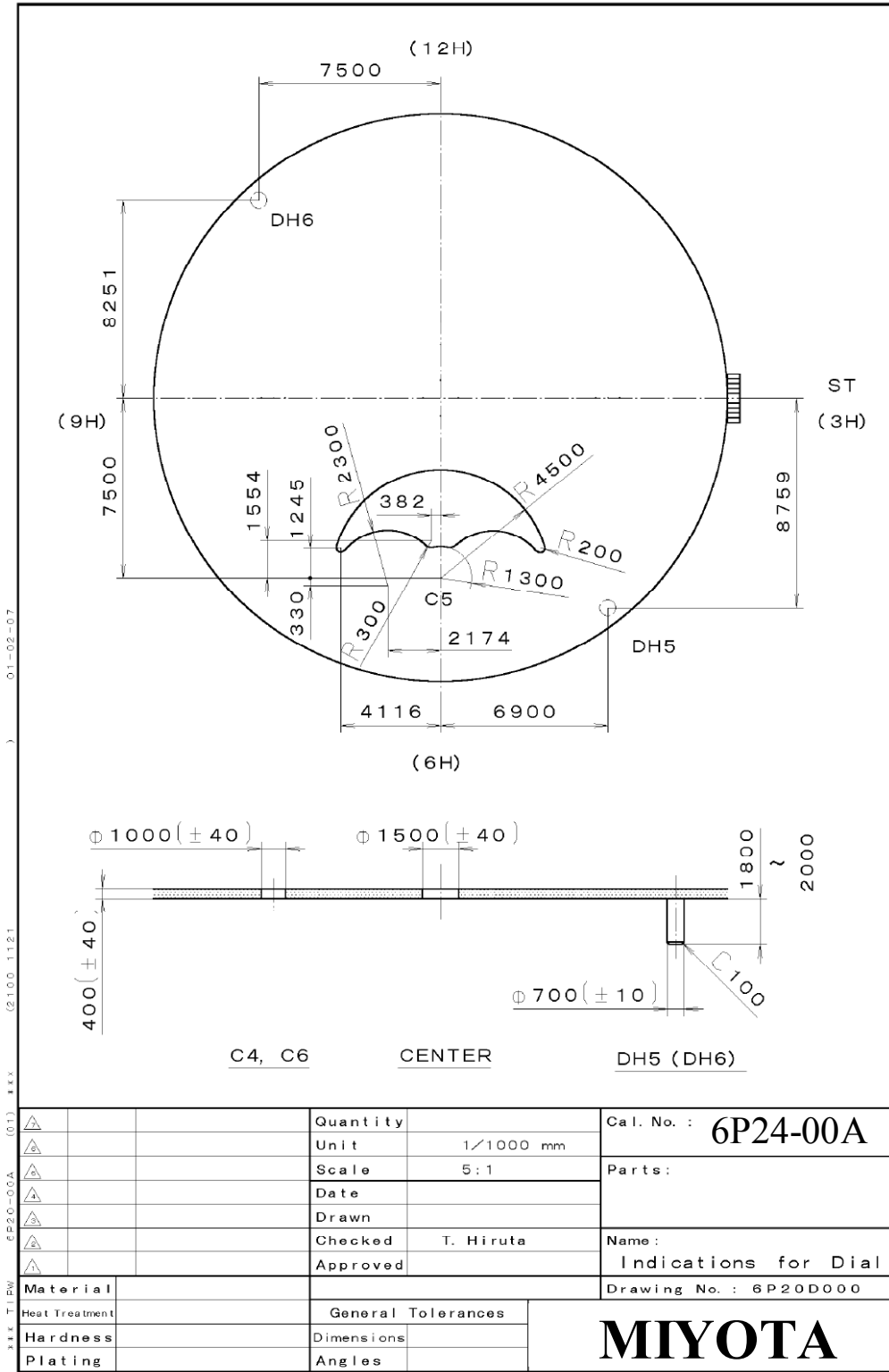


This drawing is provisional and subject to our reconfirmation and/or revision without notice.



Material	Quantity	Unit	Cal. NO.:
Material	1	1/1000mm	6P24
Material	7	Scale	Parts No.:
Material		Date	Name
Material		Checked	M. Fukuda
Material		Approved	Frame for Case
Material			Drawn No.: 6P24C001
Material			General Tolerances
Material			MITYOTA
Material			CITIZEN WATCH CO., LTD., TOKYO, JAPAN

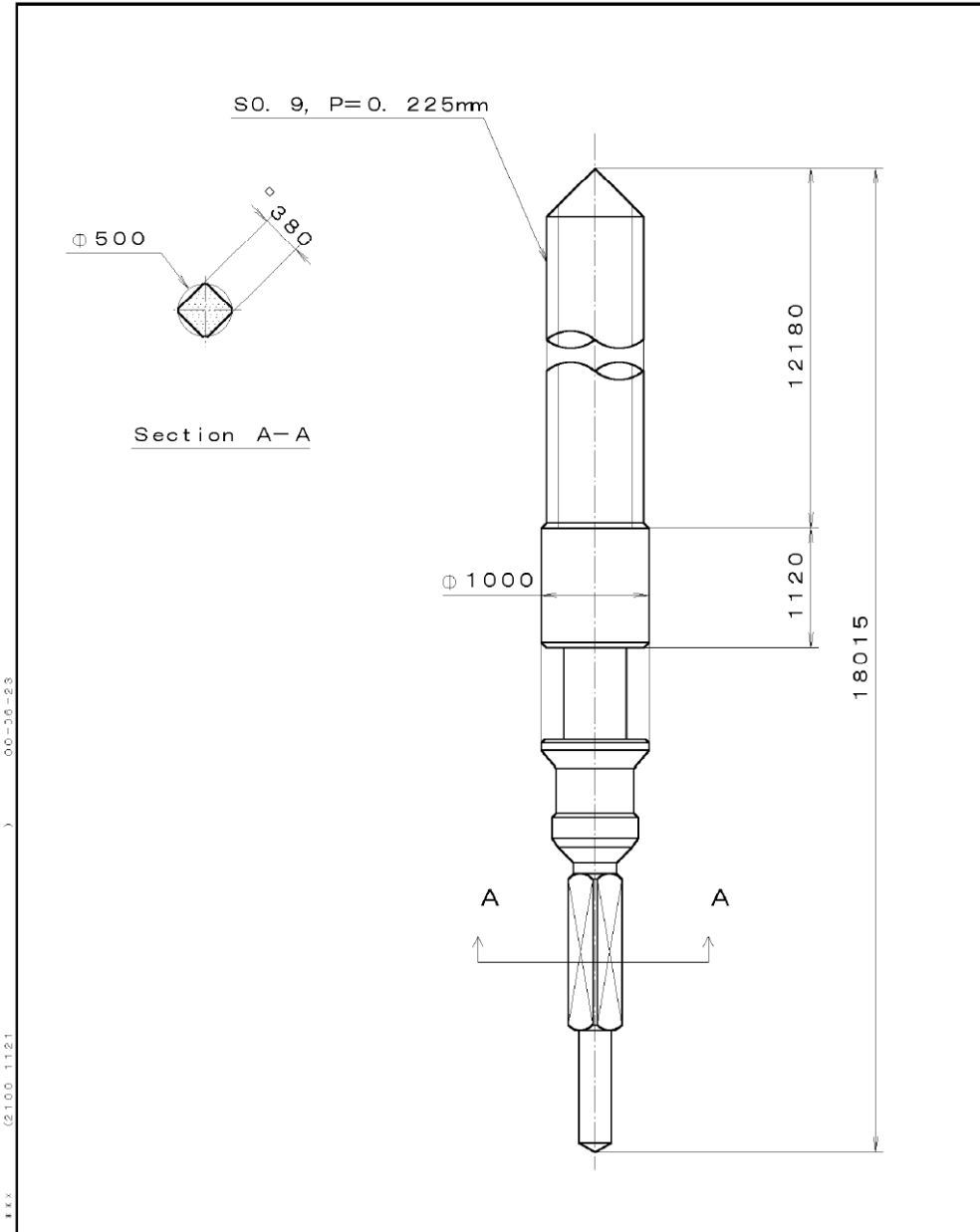
This drawing is provisional and subject to our reconfirmation and/or revision without notice.



△		Quantity	Cal. No. : 6P24-00A
△		Unit 1/1000 mm	Parts:
△		Scale 5:1	
△		Date	
△		Drawn	
△		Checked T. Hiruta	
△		Approved	Name : Indications for Dial
Material		General Tolerances	Drawing No. : 6P20D000
Heat Treatment		Dimensions	MIYOTA
Hardness		Angles	
Plating			

0.1-02-07
 01-02-07
 2100.1121
 01
 KX
 CP20-00A
 TIRW
 KKK

This drawing is provisional and subject to our reconfirmation and/or revision without notice



△			Quantity		Cal. No. :
△			Unit	1/1000 mm	
△			Scale	20:1	Parts:
△			Date		065-379
△			Drawn		Name :
△			Checked	T. Hiruta	SETTING STEM
△			Approved		Drawing No. : 3790S000
Material			General Tolerances	MIYOTA	
Heat Treatment			Dimensions		
Hardness			Angles		
Plating					

00-D0-23
 (2100.1121)
 011
 EEX
 C.65-379
 XXX T.IRW