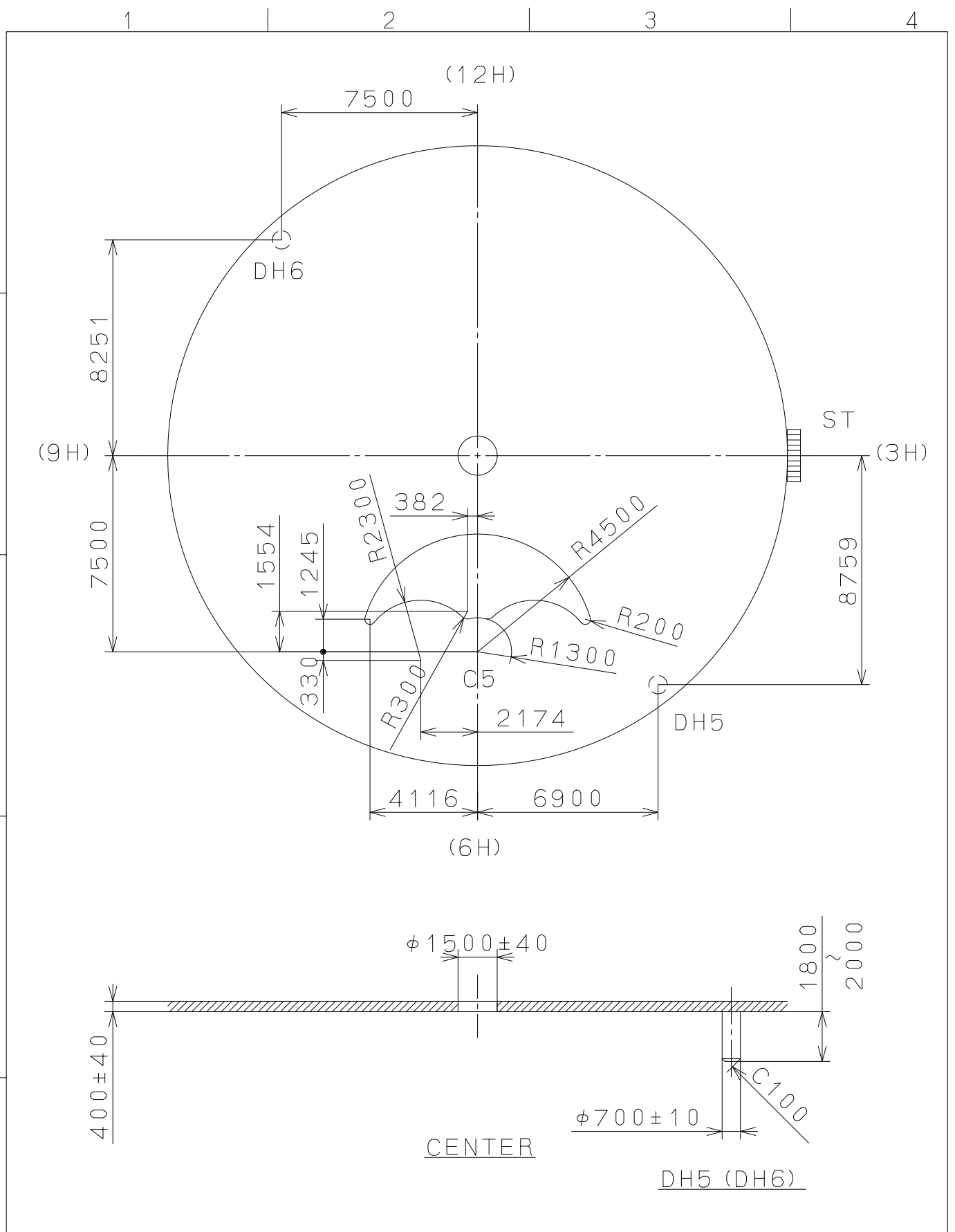


CONFIDENTIAL 2017/11/14 (17:26:06)

This drawing is provisional and subject to our reconfirmation and/or revision without notice.



△			Quantity		Cal.NO.:
△			Unit	1 / 1000 mm	6P24-00W
△			Scale	5 : 1	Parts No.:
△			Date		
△			Drawn		
Mark	Date	Description	Appr.	Checked	M. Kobayashi
Alterations			Approved		Name:
Material					Indications for Dial
Heat Treatment			General Tolerances		Drawing No.: 6P24D010
Hardness			Dimensions		<b>MIYOTA</b>
Plating			Angles		
CITIZEN WATCH CO., LTD. TOKYO, JAPAN					