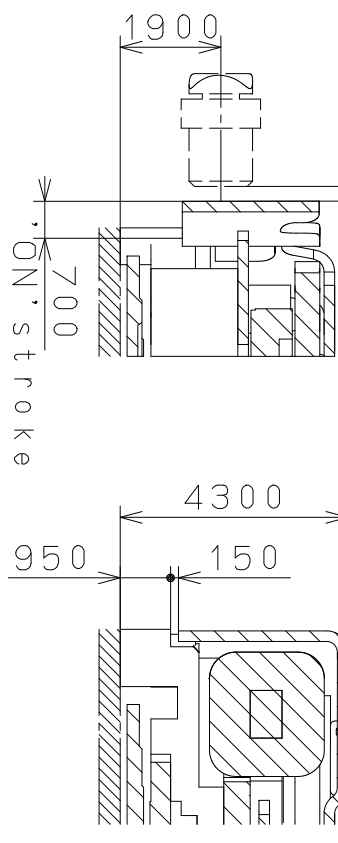
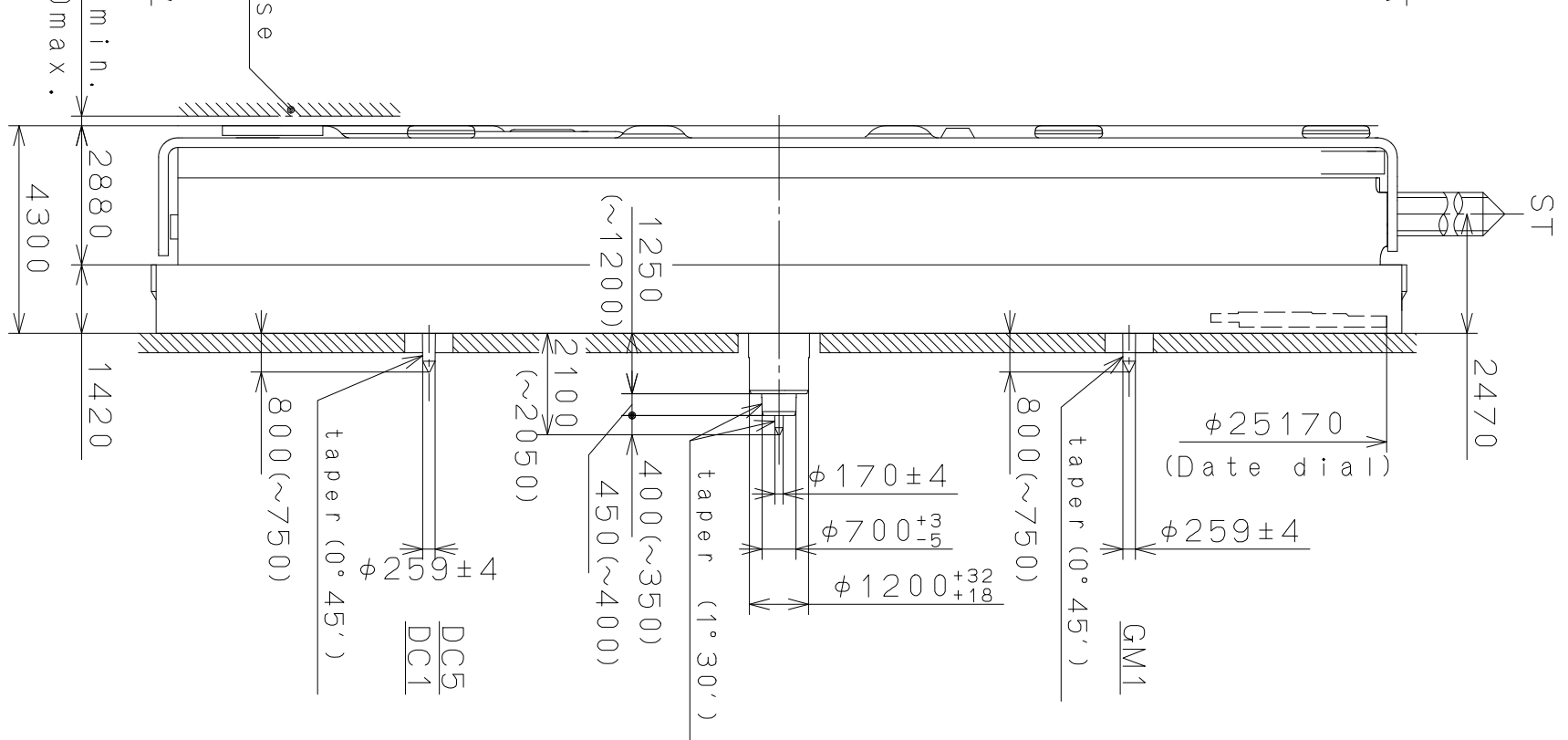
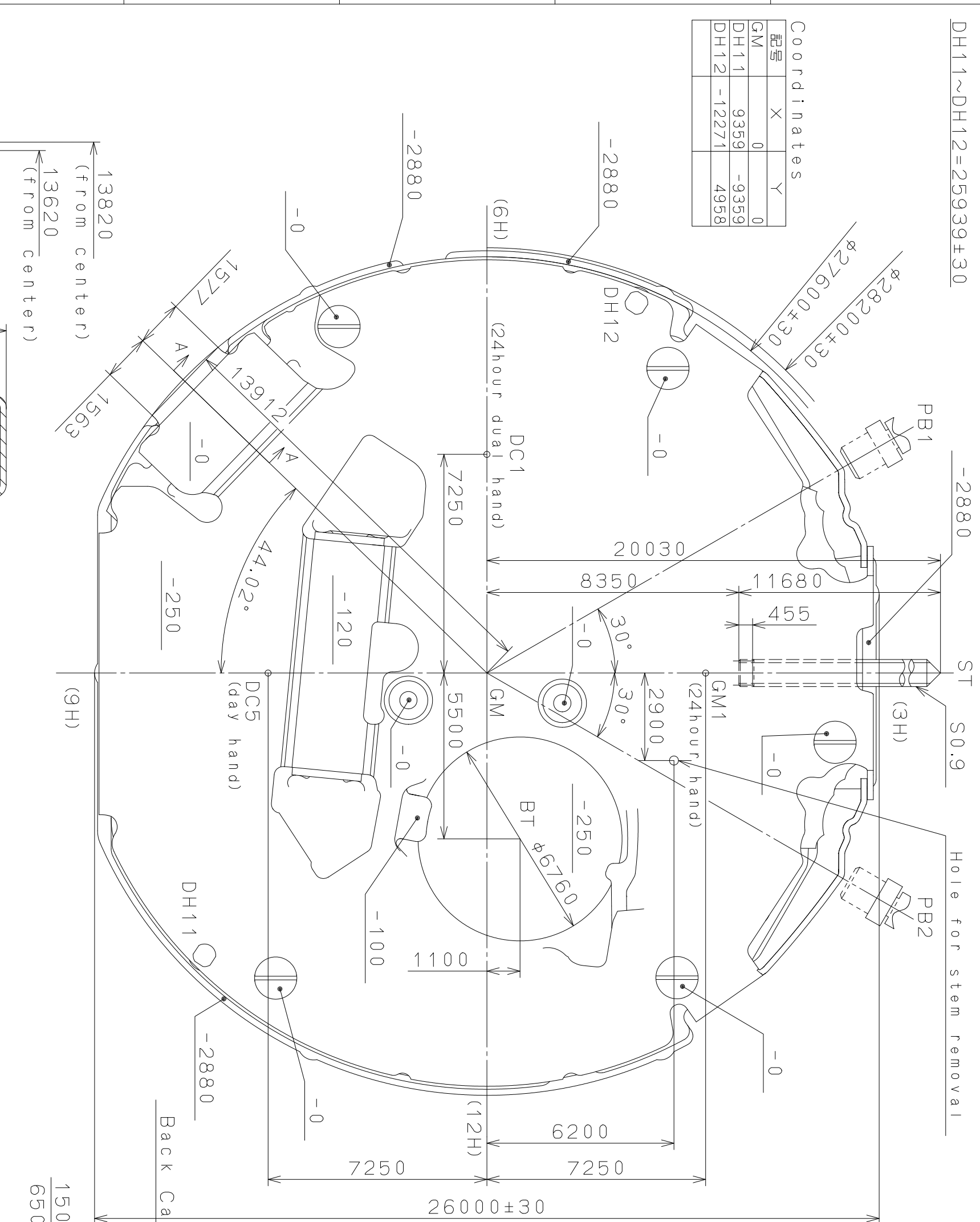
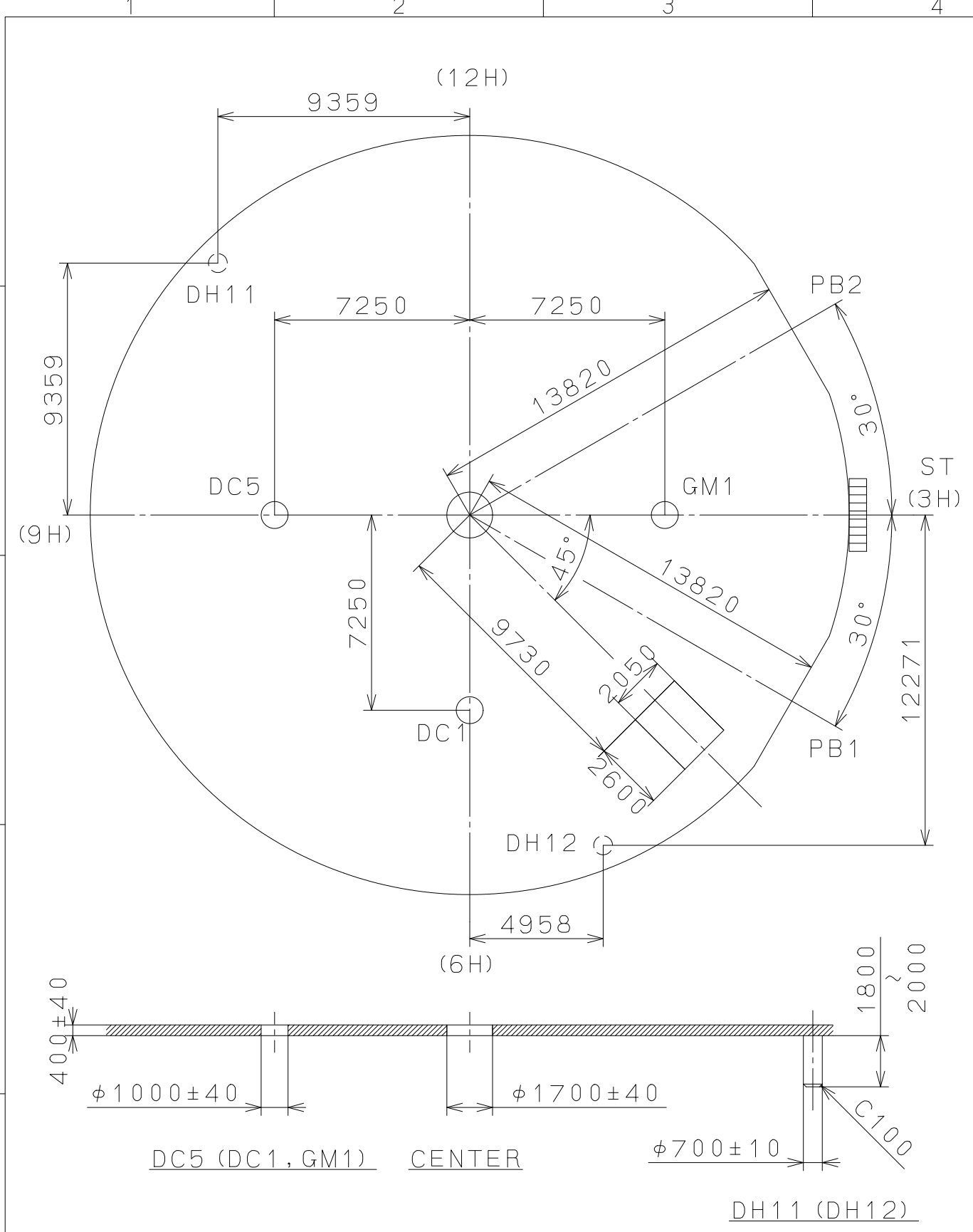


Coordinates		
記号	X	Y
GM	0	0
DH11	9359	-9359
DH12	-12271	4958



△	Quantity	Unit	1/1000 mm	Cal. NO.: JP25
△	Scale	Date	7:1	Parts No.:
△	Material	Alteraions	Approved	Name: Frame for Case
△	Heat Treatment	Date	Checked	Drawing No.: JP25C0AS
△	Hardness	Drawn	Apporo.	N. Suzuki
△	Plating		Checked	
			Approved	

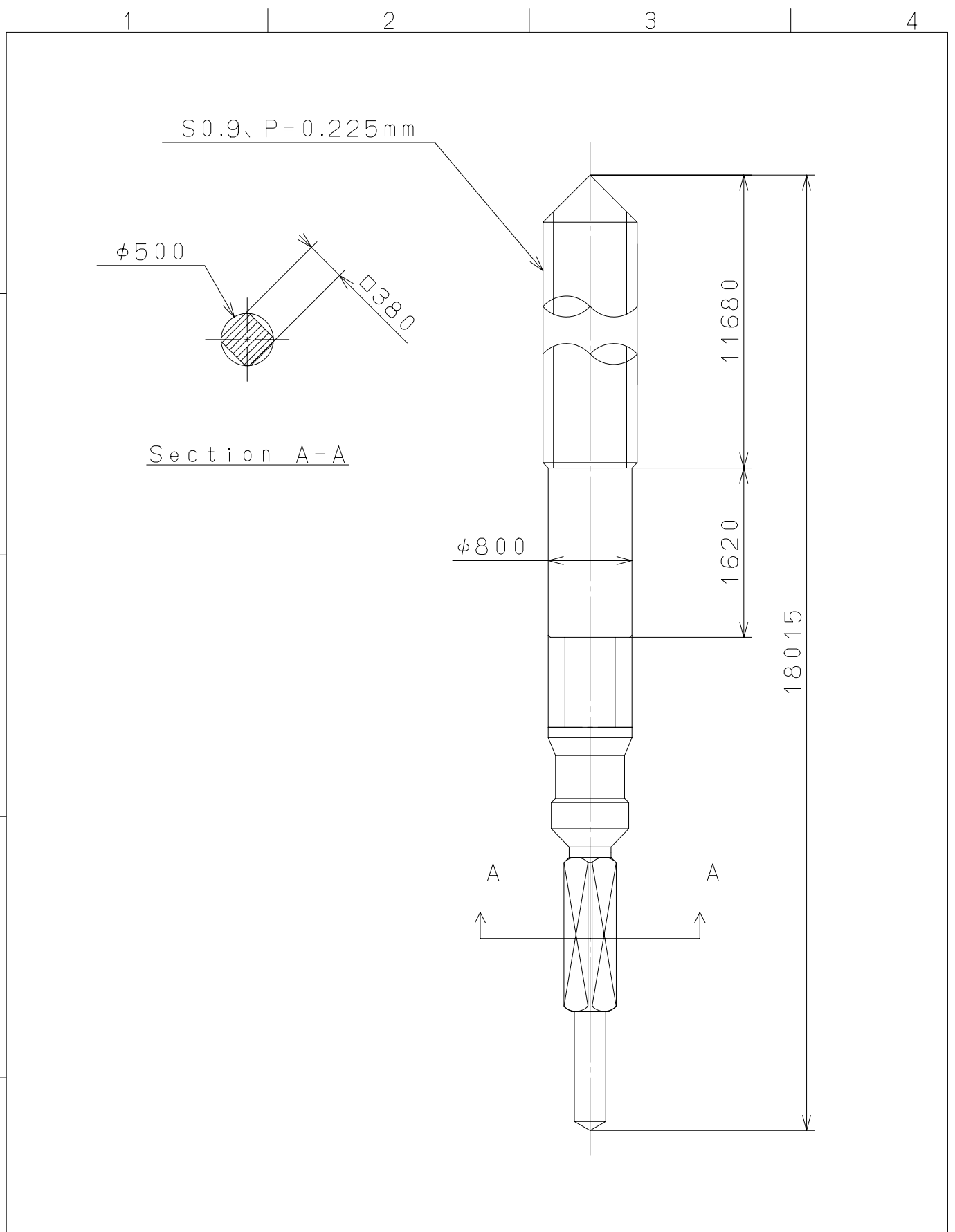
This drawing is provisional and subject to our reconfirmation and/or revision without notice.



△			Quantity		Cal.NO.:
△			Unit	1/1000 <sub>mm</sub>	JP25-00C
△			Scale	5 : 1	Parts No.:
△			Date		
△			Drawn		
Mark	Date	Description	Appr.	Checked	Name:
		Alterations	Approved	N. Suzuki	Indications for Dial
Material					Drawing No.: JP25D0AS
Heat Treatment			General Tolerances		<b>MIYOTA</b>
Hardness			Dimensions		
Plating			Angles		
					CITIZEN WATCH CO., LTD. TOKYO, JAPAN

2006/12/25 (07:50:10)

This drawing is provisional and subject to our reconfirmation and/or revision without notice.



⑤			Quantity		Cal.NO.:
④			Unit	1 / 1000 mm	
③			Scale	20 / 1	Parts No.:
②			Date		065-505
①			Drawn		Name:
Mark	Date	Description	Appr.	Checked	T.Hiruta
Alterations			Approved	SETTING STEM	
Material					Drawing No.: 5050S000
Heat Treatment					<b>MIYOTA</b> CITIZEN WATCH CO., LTD. TOKYO, JAPAN
Hardness	General Tolerances				
Plating	Dimensions				
	Angles				