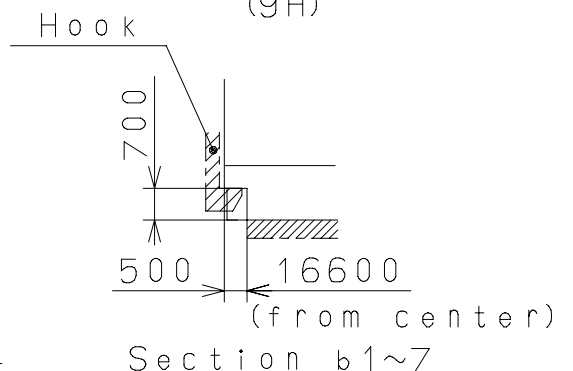
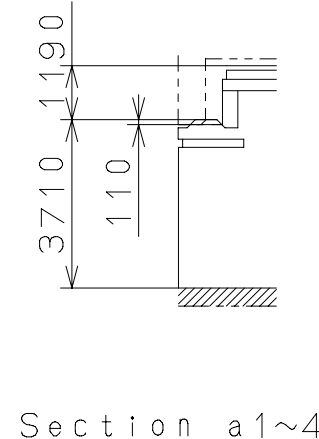
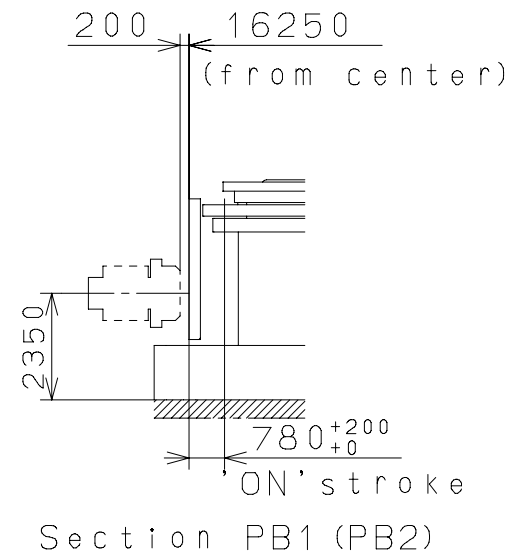
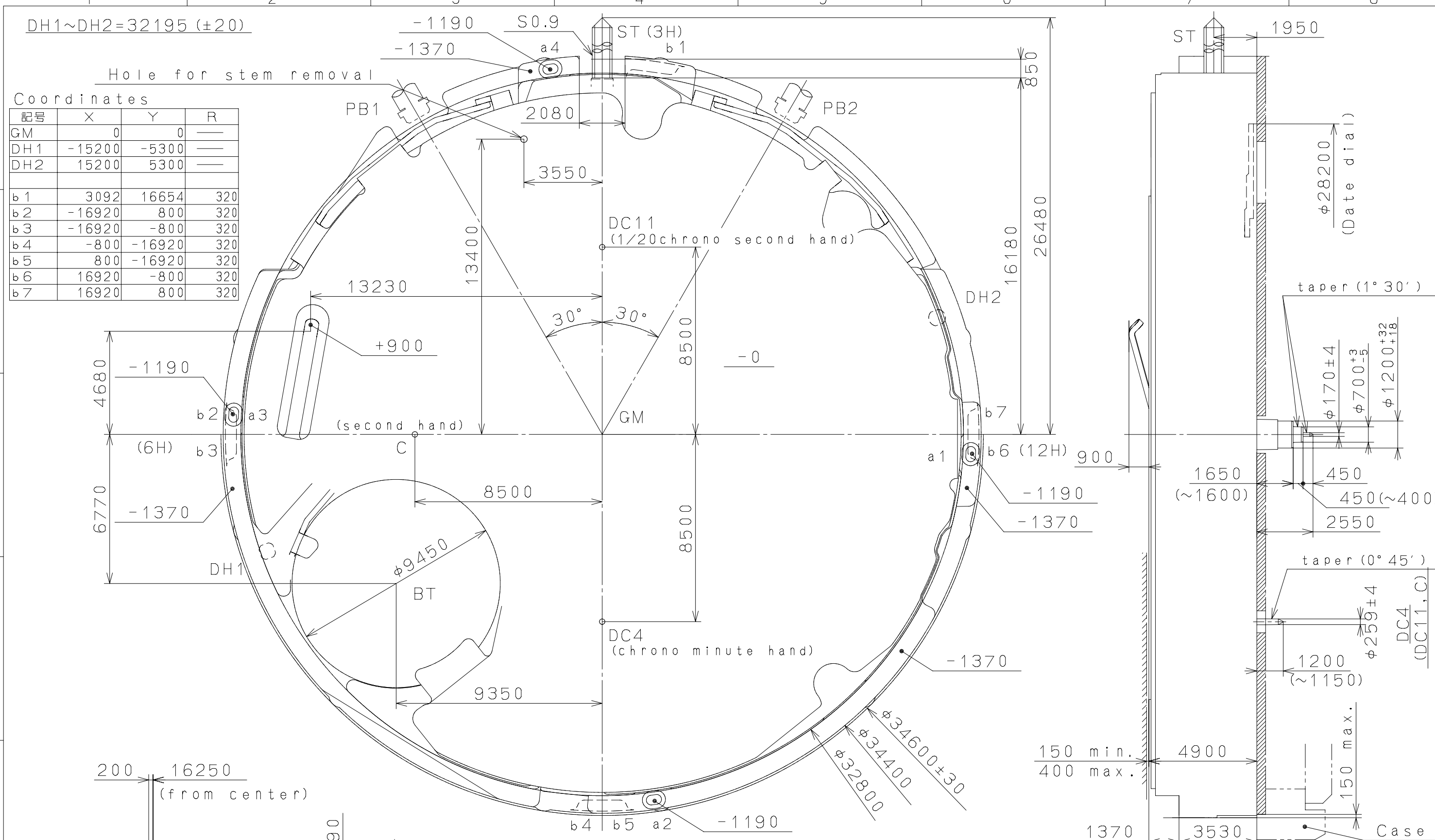


2011/12/12 (14:09:16)

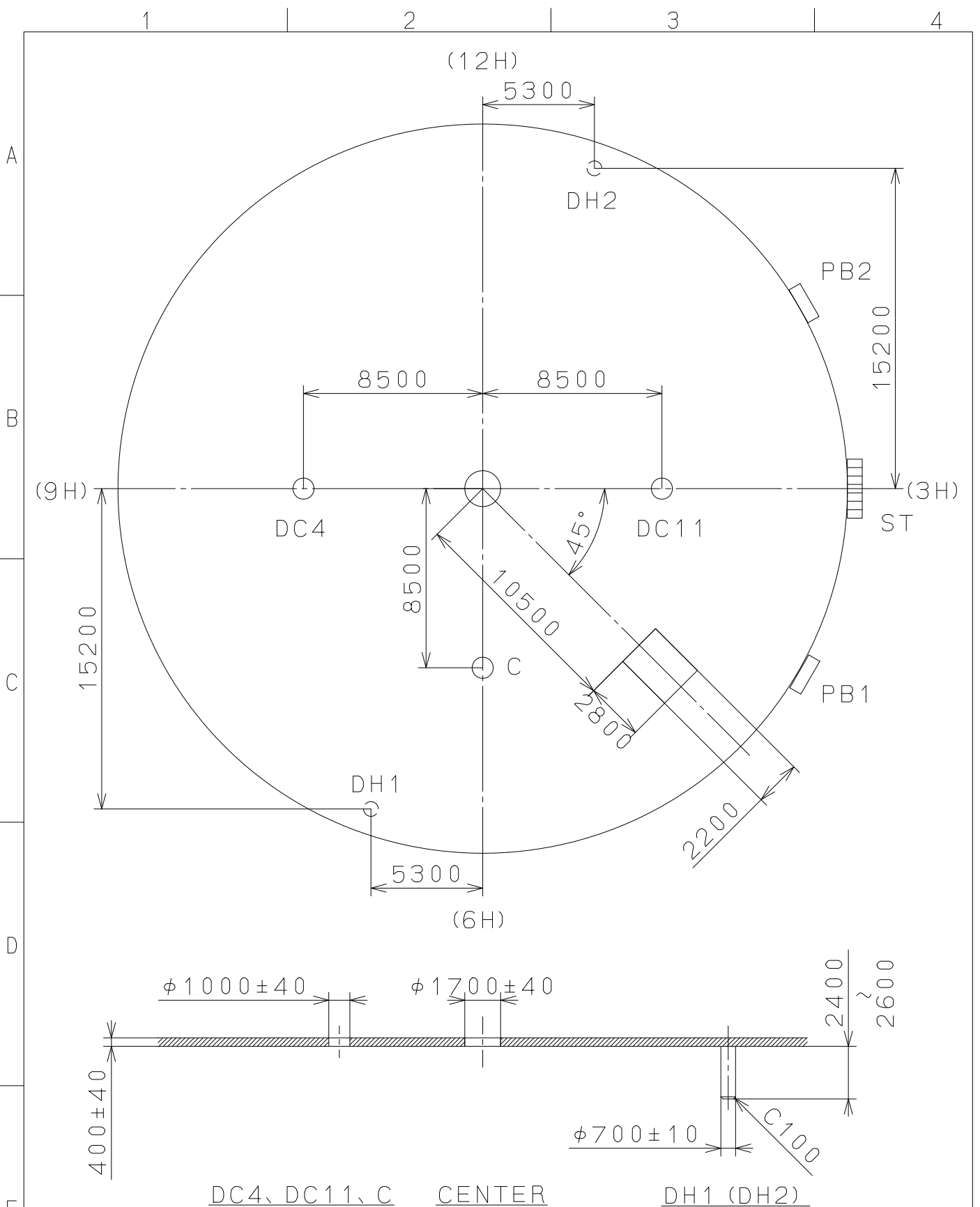
This drawing is provisional and subject to our reconfirmation and/or revision without notice.



Quantity	Unit	Scale	Date	Drawn	Mark	Date	Description	Appr.	Checked	N. Suzuki	Name:	Cal. NO.:	6S20
	1/1000mm	6:1									Frame for Case	Parts No.:	
Alterations										Approved	Drawing No.:	6S20C001	
Material	Heat Treatment	Hardness	Plating	General Tolerances				Dimensions			Angles		
<b>MIYOTA</b>												CITIZEN WATCH CO., LTD. TOKYO, JAPAN	

2010/05/24 (09:03:47)

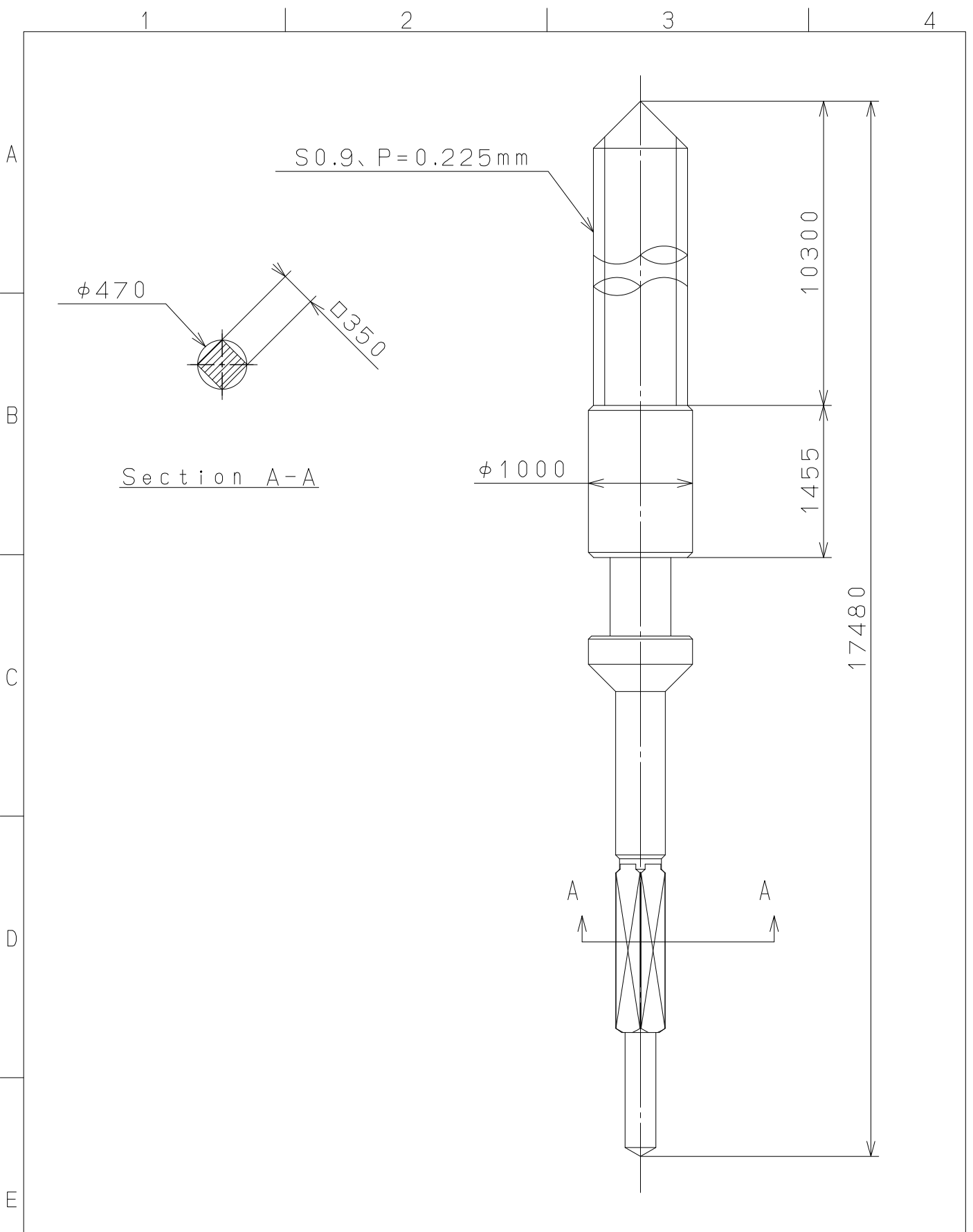
This drawing is provisional and subject to our reconfirmation and/or revision without notice.



△			Quantity		Cal.NO.:
△			Unit	1 / 1000 mm	6S20-00A
△			Scale	4 : 1	Parts No.:
△			Date		
△			Drawn		
Mark	Date	Description	Appr.	Checked	Name:
		Alterations	Approved	N. Suzuki	Indications for Dial
Material					Drawing No.: 6S20D000
Heat Treatment			General Tolerances		<b>MIYOTA</b>
Hardness			Dimensions		
Plating			Angles		
					CITIZEN WATCH CO., LTD. TOKYO, JAPAN

2010/07/26 (09:03:08)

This drawing is provisional and subject to our reconfirmation and/or revision without notice.



△5			Quantity		Cal.NO.:
△4			Unit	1/1000mm	
△3			Scale	20:1	Parts No.:
△2			Date		065-A13
△1			Drawn		
Mark	Date	Description	Appr.	Checked	Name:
		Alterations	Approved	N. Suzuki	SETTING STEM
Material					Drawing No.: A130S000
Heat Treatment			General Tolerances		
Hardness			Dimensions		
Plating			Angles		
				CITIZEN WATCH CO., LTD. TOKYO, JAPAN	