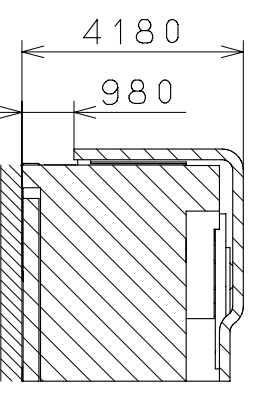


Coordinates

記号	X	Y
GM	0	0
DH3	9298	-9298
DH4	-12192	4926



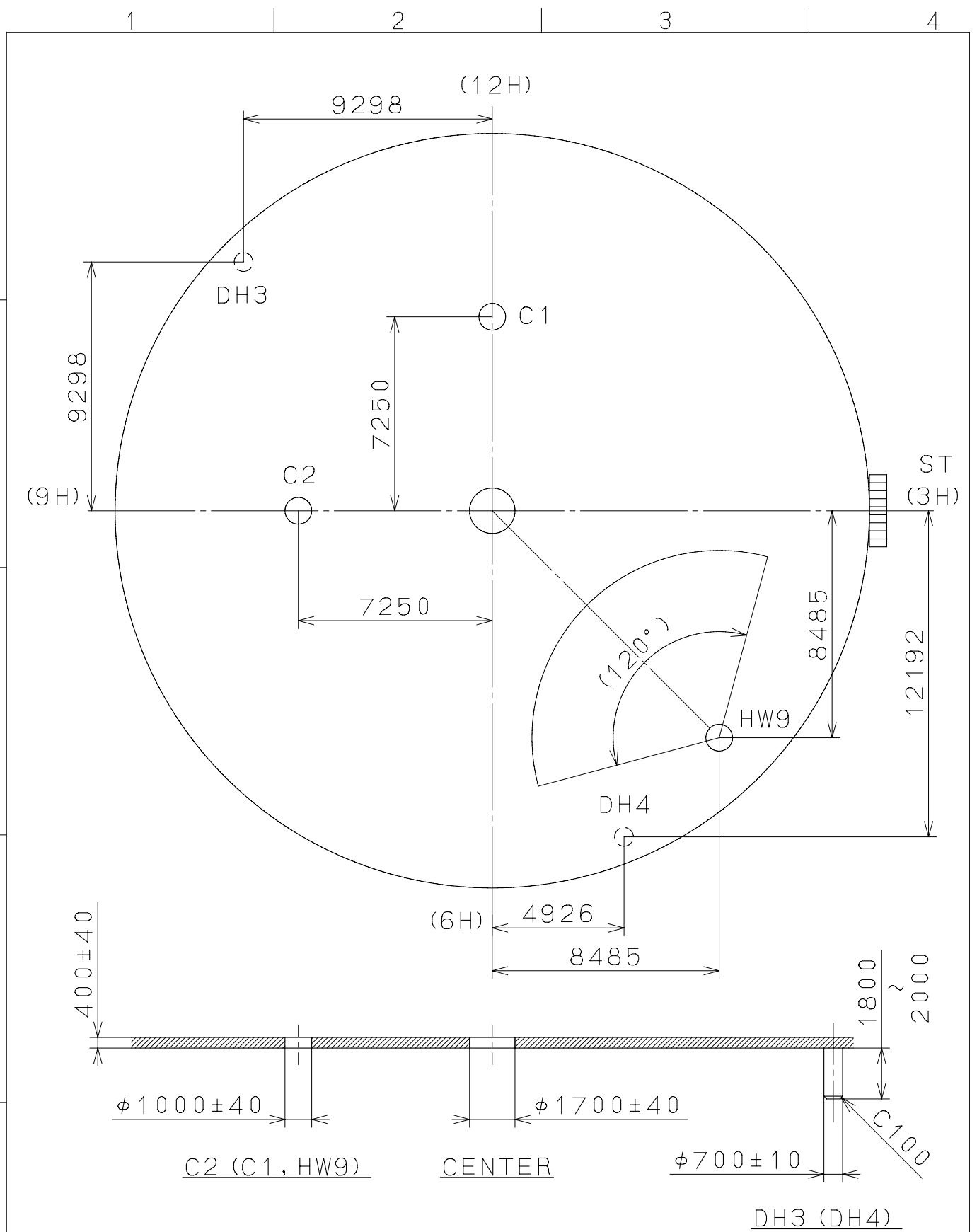
△5	Quantity	1/1000 mm	Cal. NO.:	JR00
△4	Unit	Scale	Parts No.:	
△3	Scale	Date	Name:	Frame for Case
△2	Date	Drawn		
△1	Mark	Description	Checked	N. Suzuki
	Alterations	Approved		
	Material			
	Heat Treatment			
	Hardness			
	Plating			
	General Tolerances			
	Dimensions			
	Angles			

Drawing No.: JR00C000

**MIYOTA**  
CITIZEN WATCH CO., LTD. TOKYO, JAPAN

2008/02/04 (15:47:16)

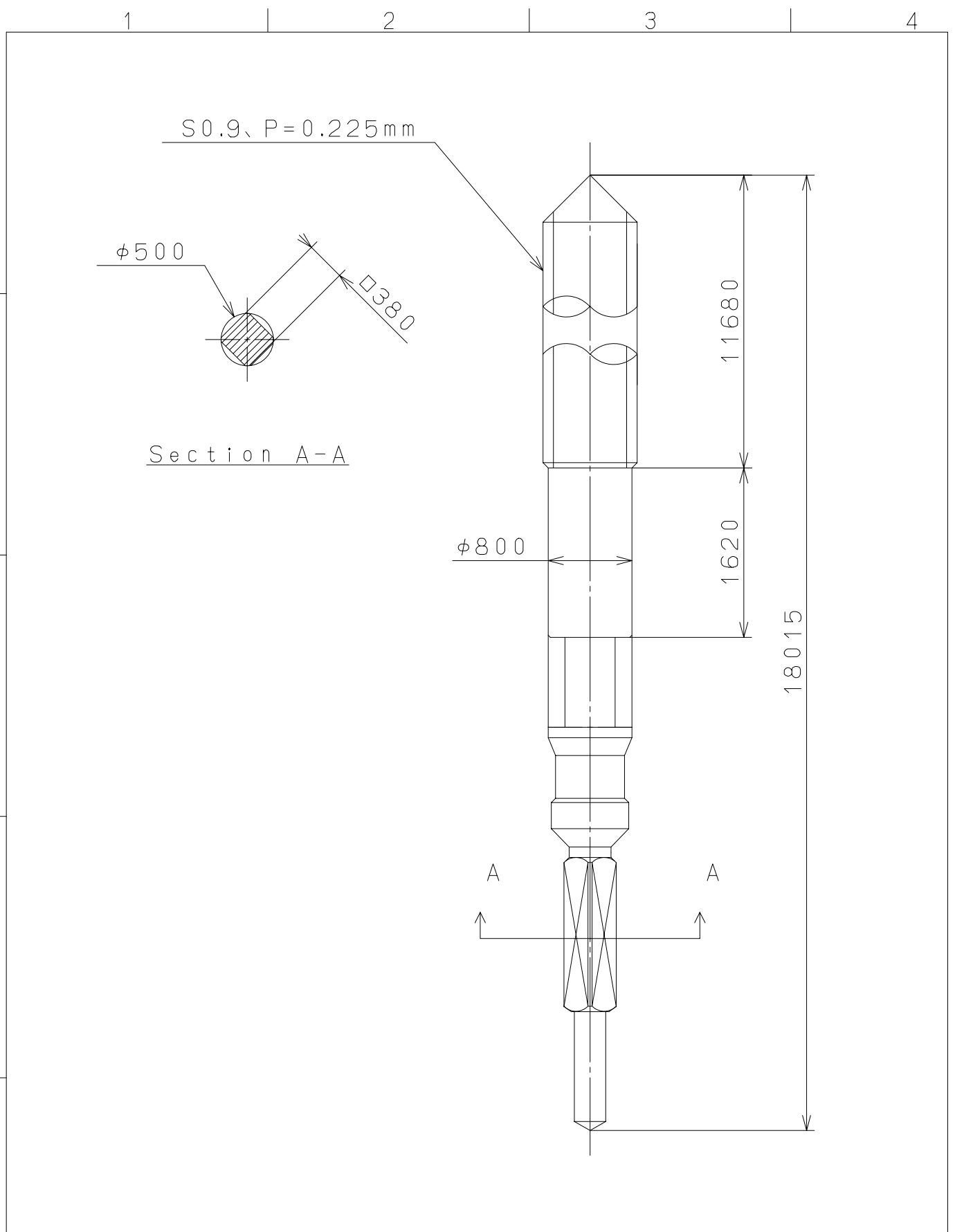
This drawing is provisional and subject to our reconfirmation and/or revision without notice.



△			Quantity		Cal.NO.:
△			Unit	1/1000mm	JR00-00A
△			Scale	5:1	Parts No.:
△			Date		
△			Drawn		
Mark	Date	Description	Appr.	Checked	Name:
		Alterations	Approved	N. Suzuki	Indications for Dial
Material					Drawing No.: JR00D000
Heat Treatment			General Tolerances	<b>MIYOTA</b> CITIZEN WATCH CO., LTD. TOKYO, JAPAN	
Hardness			Dimensions		
Plating			Angles		

2006/12/25 (07:50:10)

This drawing is provisional and subject to our reconfirmation and/or revision without notice.



⑤			Quantity		Cal.NO.:
④			Unit	1 / 1000 mm	
③			Scale	20 / 1	Parts No.:
②			Date		065-505
①			Drawn	T.Hiruta	Name:
Mark	Date	Description	Appro.	Checked	SETTING STEM
Alterations			Approved		Drawing No.: 5050S000
Material					<b>MIYOTA</b> CITIZEN WATCH CO., LTD. TOKYO, JAPAN
Heat Treatment	General Tolerances				
Hardness	Dimensions				
Plating	Angles				