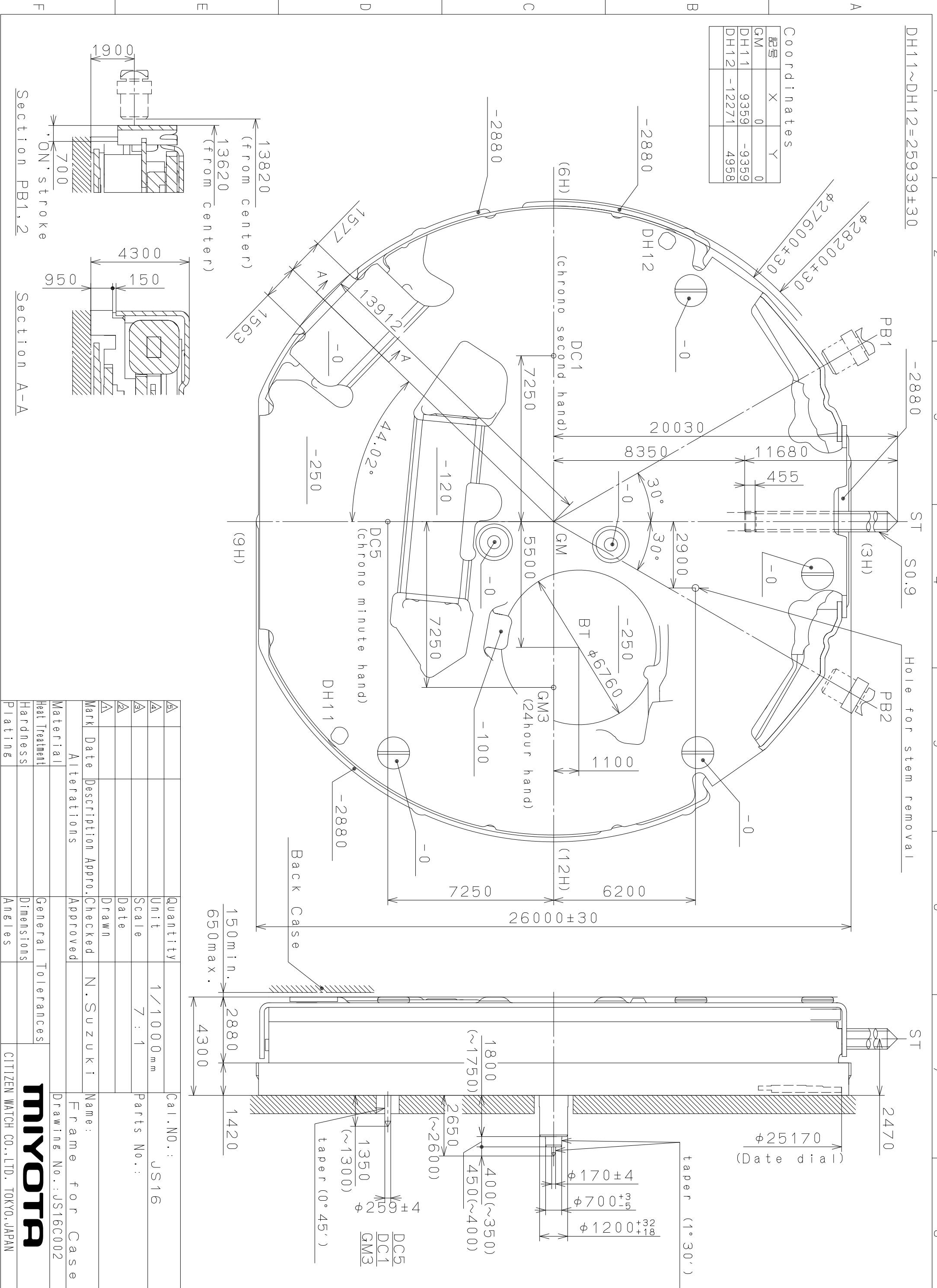


This drawing is provisional and subject to our reconfirmation and/or revision without notice.



Coordinates

記号	X	Y
GM	0	0
DH11	9359	-9359
DH12	-12271	4958

Section PB1,2

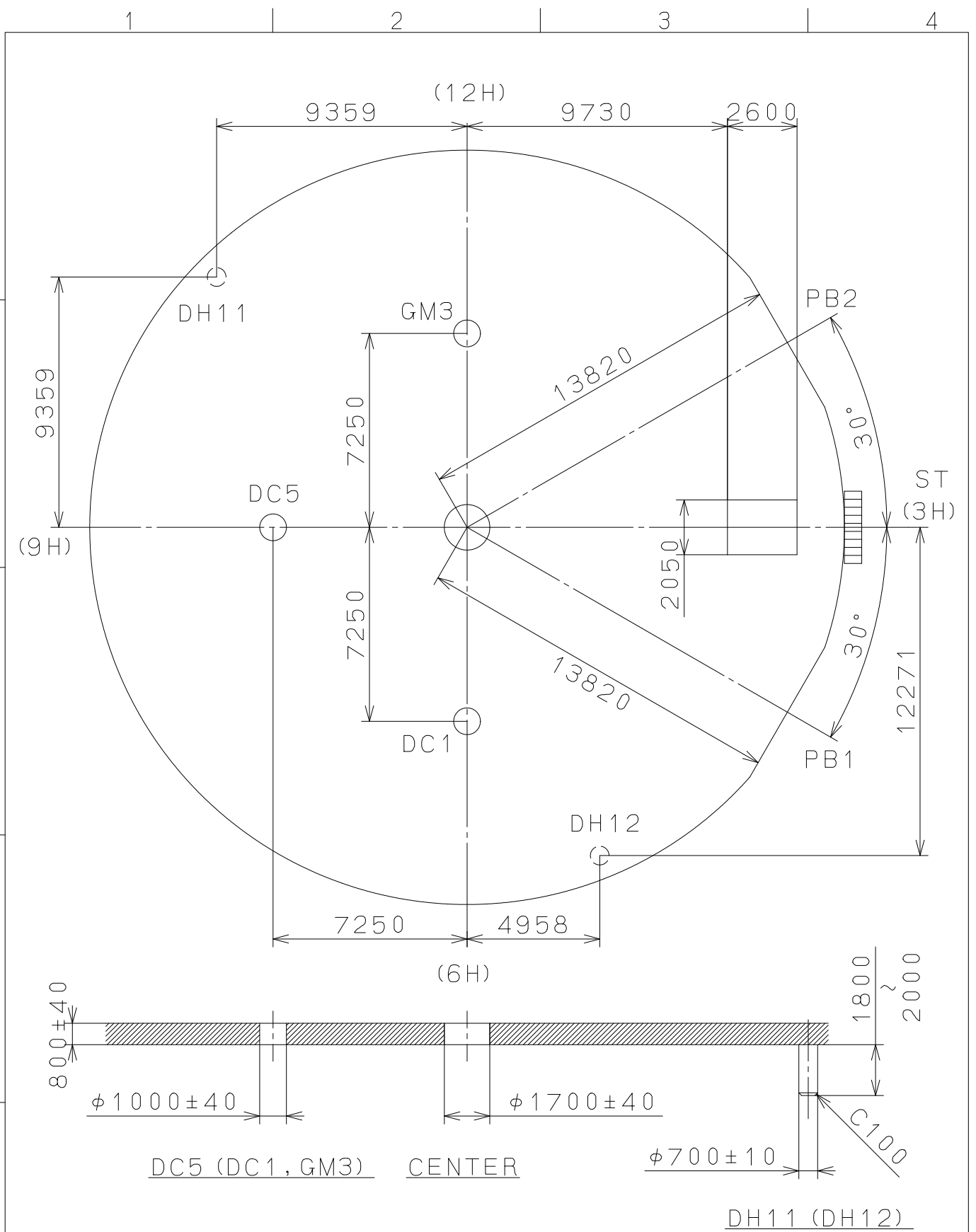
Section A-A

△	Quantity		Cal. NO.:	JS16
△	Unit	1/1000 mm	Parts No.:	
△	Scale	7:1	Name:	Frame for Case
△	Date		Drawing No.:	JS16C002
△	Drawn			
△	Checked			
△	Approved	N. Suzuki		
Alterations		Approved		
Material				
Heat Treatment				
Hardness				
Plating				
General Tolerances				
Dimensions				
Angles				

MIYOTA
CITIZEN WATCH CO., LTD. TOKYO, JAPAN

2010/02/01 (10:16:31)

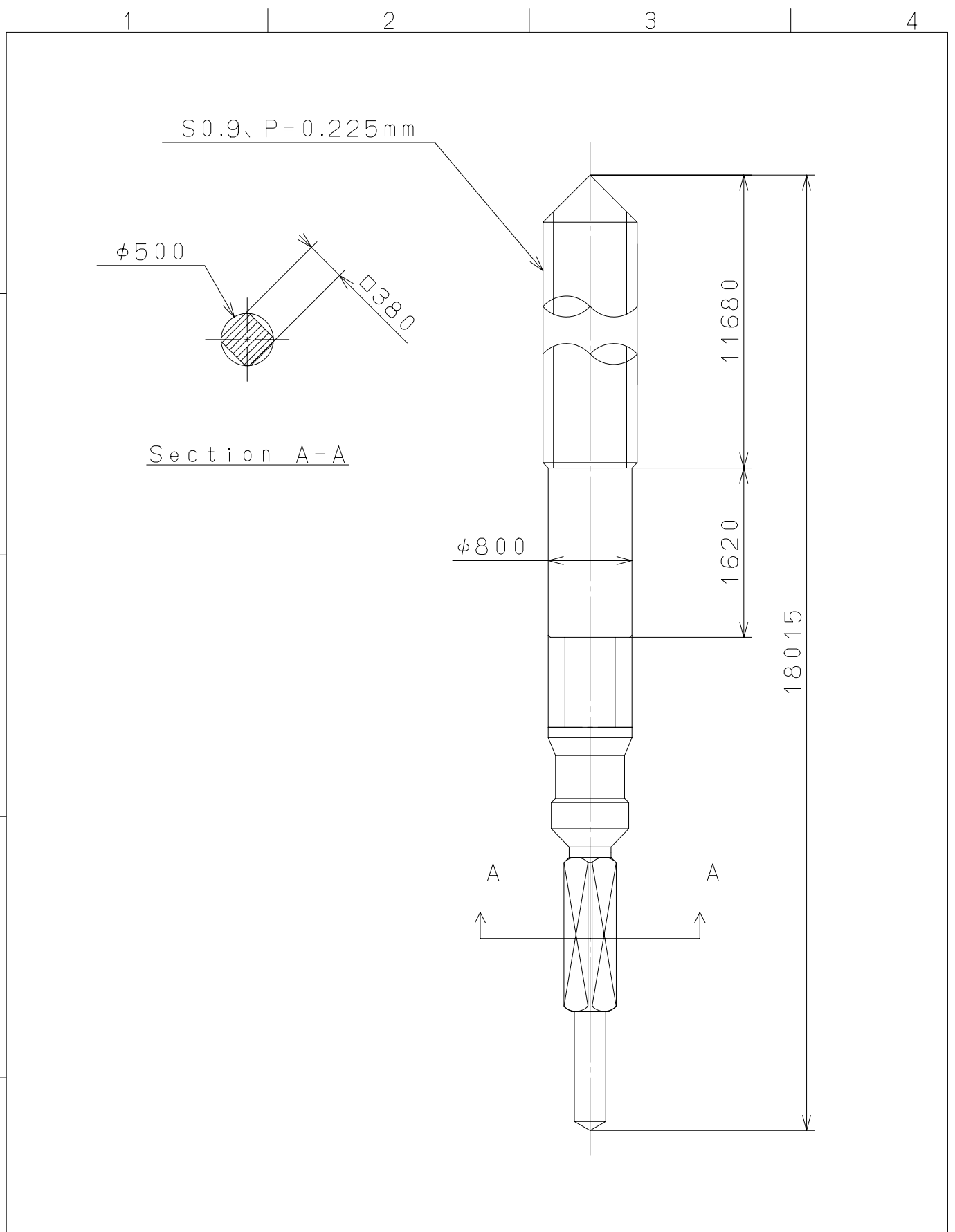
This drawing is provisional and subject to our reconfirmation and/or revision without notice.



△			Quantity		Cal.NO.:
△			Unit	1/1000 _{mm}	JS16-00C
△			Scale	5 : 1	Parts No.:
△			Date		
△			Drawn		
Mark	Date	Description	Appr.	Checked	Name:
		Alterations	Approved	N. Suzuki	Indications for Dial
Material					Drawing No.: JS16D000
Heat Treatment			General Tolerances		MIYOTA
Hardness			Dimensions		
Plating			Angles		
					CITIZEN WATCH CO., LTD. TOKYO, JAPAN

2006/12/25 (07:50:10)

This drawing is provisional and subject to our reconfirmation and/or revision without notice.



⑤			Quantity		Cal.NO.:
④			Unit	1 / 1000 mm	
③			Scale	20 / 1	Parts No.:
②			Date		065-505
①			Drawn		Name:
Mark	Date	Description	Appr.	Checked	T.Hiruta
Alterations			Approved	SETTING STEM	
Material					Drawing No.: 5050S000
Heat Treatment					MIYOTA CITIZEN WATCH CO., LTD. TOKYO, JAPAN
Hardness					
Plating					