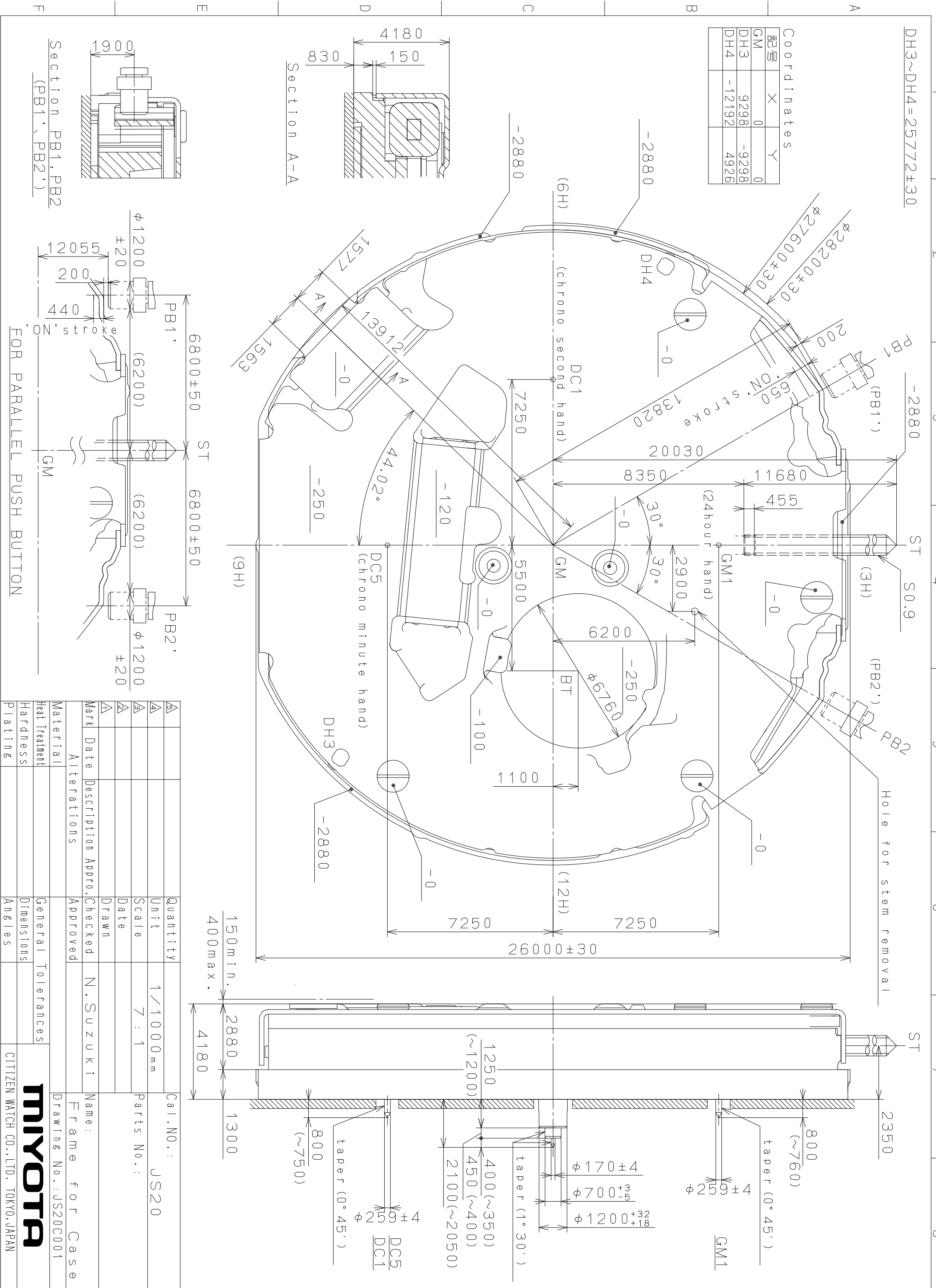


This drawing is provisional and subject to our reconfirmation and/or revision without notice.



Coordinates

記号	X	Y
GM	0	0
DH3	9298	-9298
DH4	-12192	4926

FOR PARALLEL PUSH BUTTON

Mark	Date	Description	Appr.	Checked	Drawn	Quantity	Unit	Cal. NO.:
△						1	1/1000 mm	JS20
△						7	1	Parts No.:
△								Name:
△								Frame for Case

Alterations

Material	Heat Treatment	Hardness	Plating	General Tolerances	Dimensions	Angles

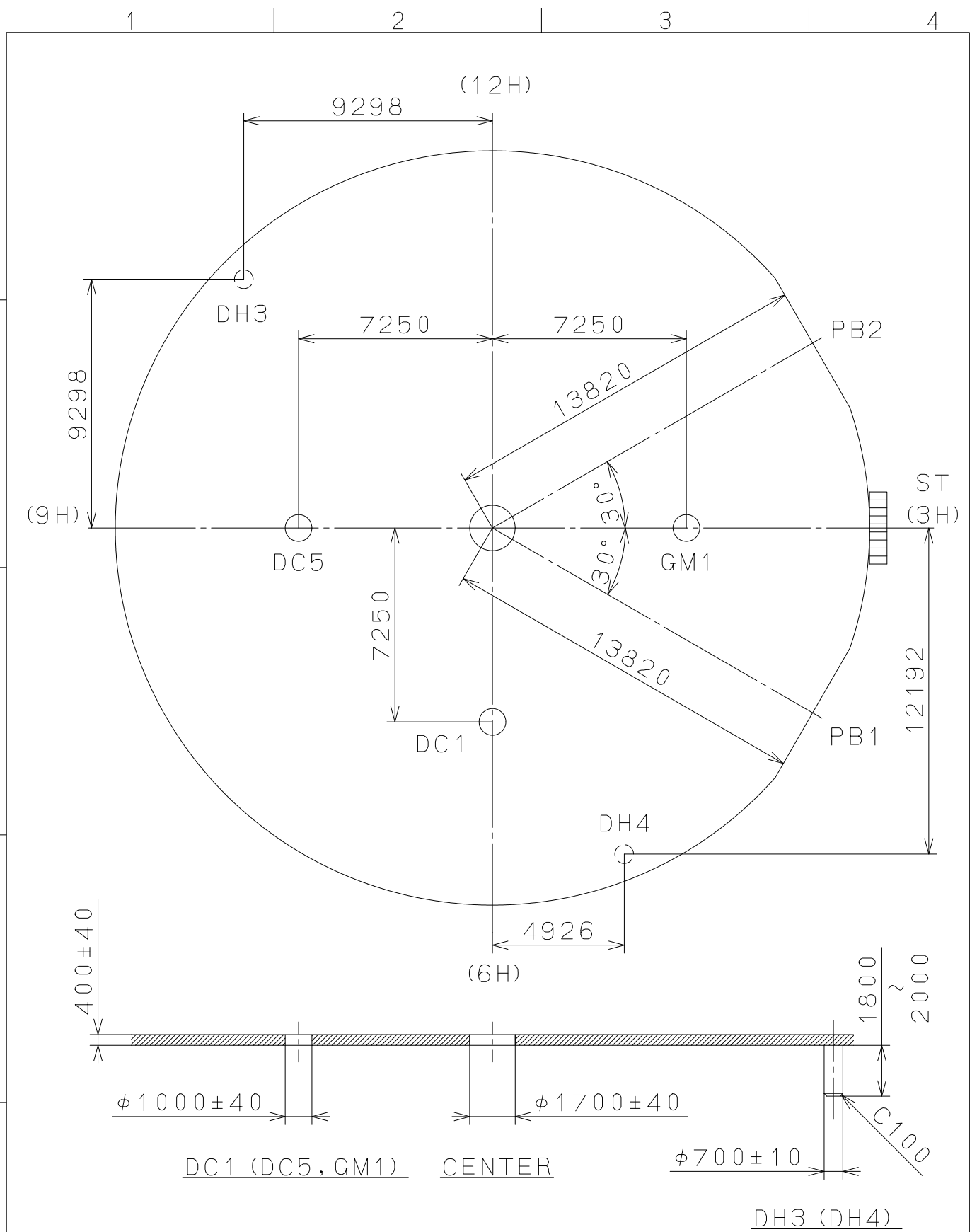
Approved: N. Suzuki

Drawing No.: JS20C001

**MIYOTA**

CITIZEN WATCH CO., LTD. TOKYO, JAPAN

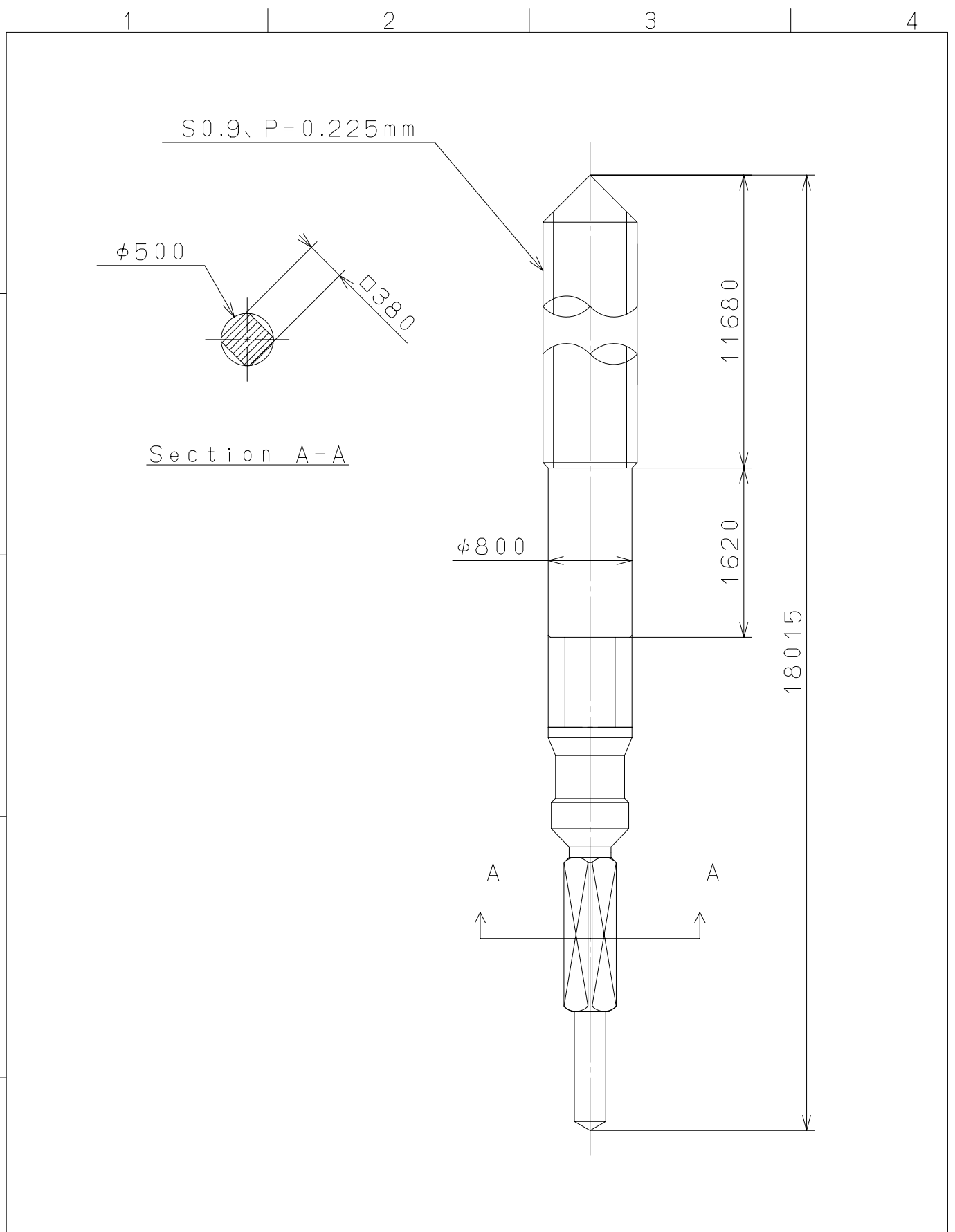
This drawing is provisional and subject to our reconfirmation and/or revision without notice.



△			Quantity		Cal.NO.:
△			Unit	1/1000 <sub>mm</sub>	JS20-00C
△			Scale	5:1	Parts No.:
△			Date		
△			Drawn		
Mark	Date	Description	Appr.	Checked	Name:
		Alterations	Approved	N. Suzuki	Indications for Dial
Material					Drawing No.: JS20D001
Heat Treatment			General Tolerances		<b>MIYOTA</b>
Hardness			Dimensions		
Plating			Angles		
					CITIZEN WATCH CO., LTD. TOKYO, JAPAN

2006/12/25 (07:50:10)

This drawing is provisional and subject to our reconfirmation and/or revision without notice.



△5			Quantity		Cal.NO.:
△4			Unit	1 / 1000 mm	
△3			Scale	20 / 1	Parts No.:
△2			Date		065-505
△1			Drawn		
Mark	Date	Description	Appr.	Checked	Name:
		Alterations		Approved	SETTING STEM
Material					Drawing No.: 5050S000
Heat Treatment				General Tolerances	<b>MIYOTA</b>
Hardness				Dimensions	
Plating				Angles	
					CITIZEN WATCH CO., LTD. TOKYO, JAPAN