

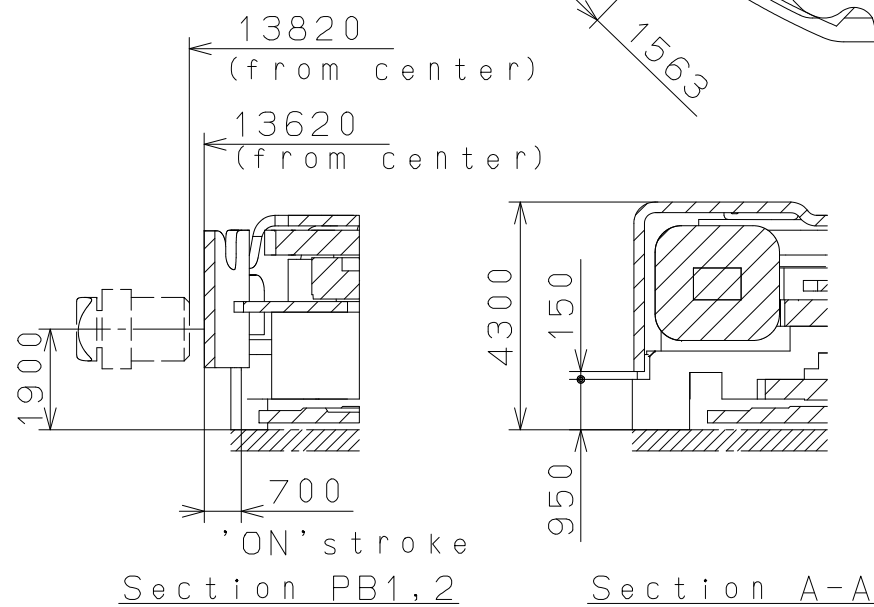
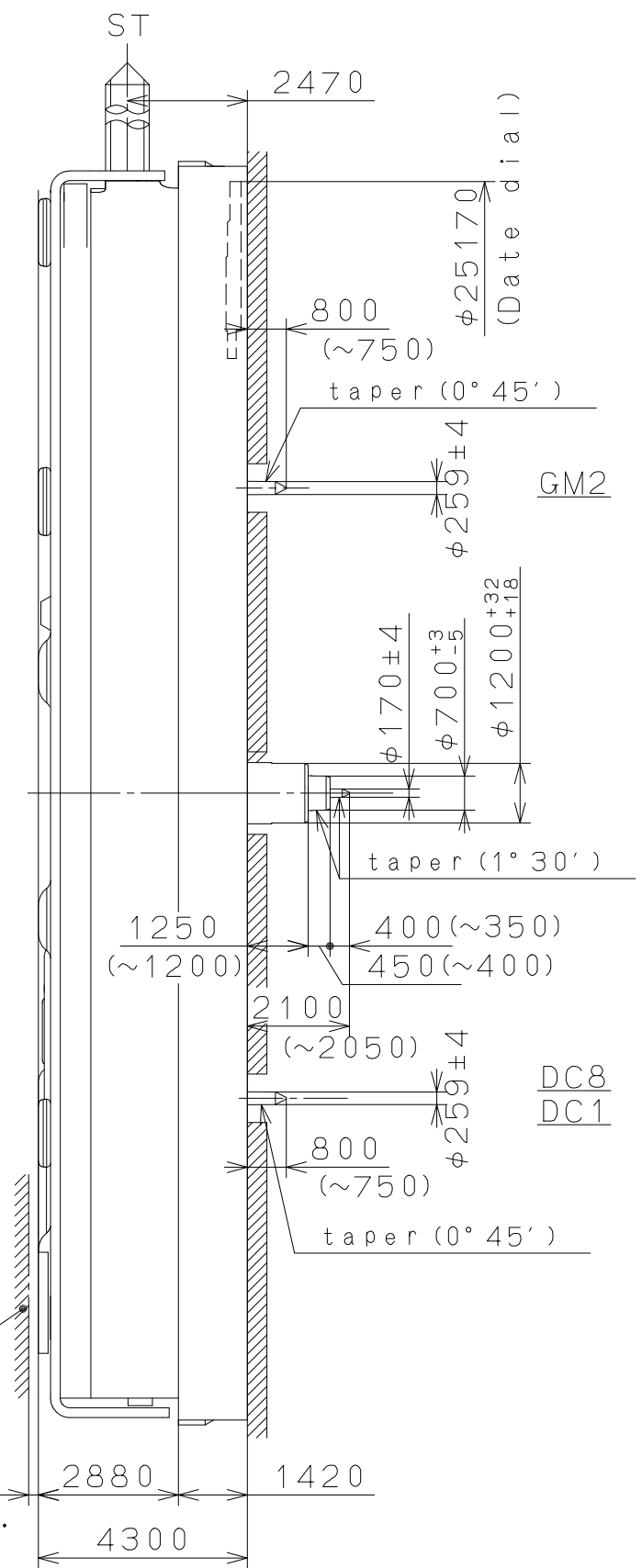
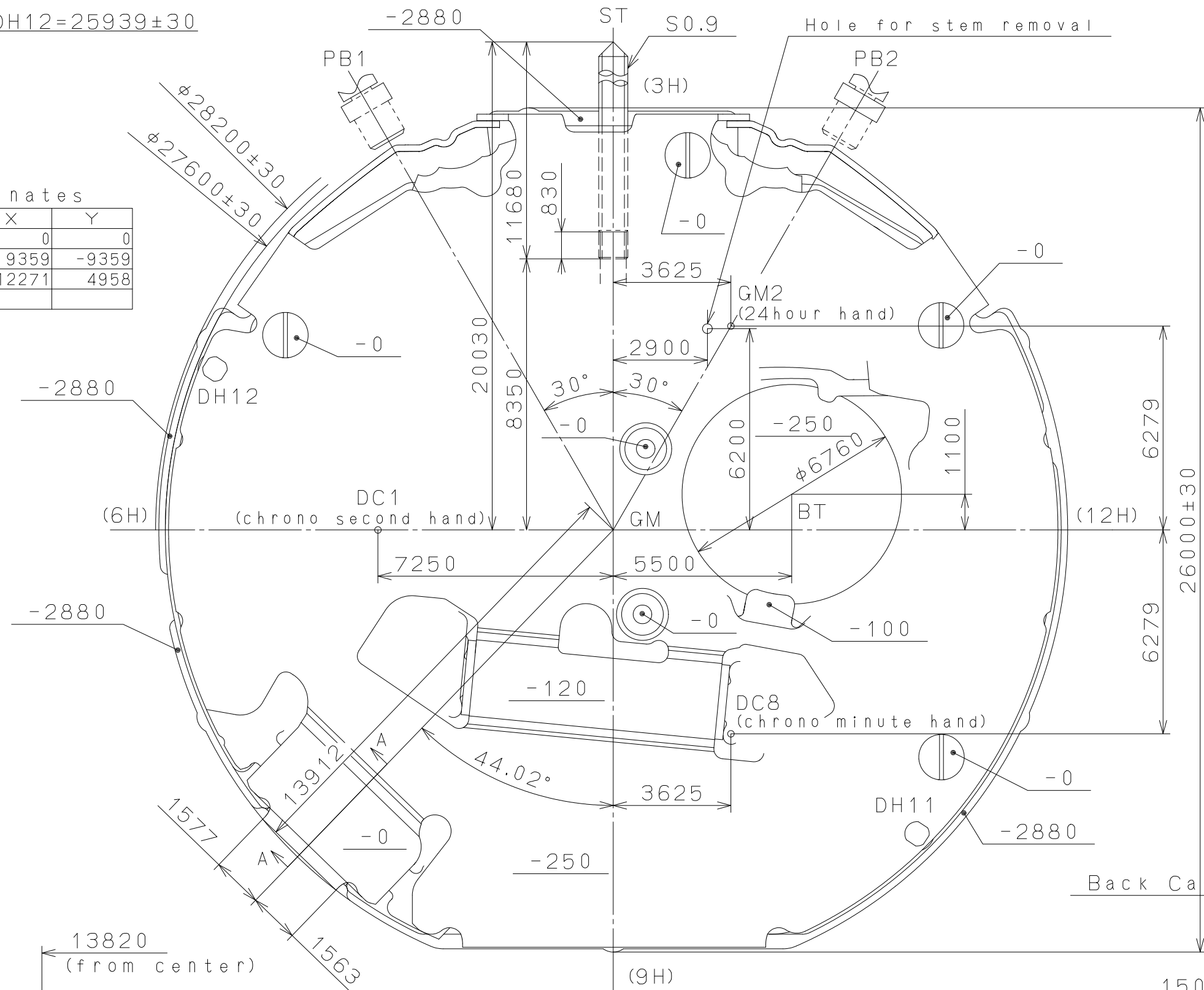
CONFIDENTIAL 2018/12/27 (13:12:59)

This drawing is provisional and subject to our reconfirmation and/or revision without notice.

DH11~DH12=25939±30

Coordinates

記号	X	Y
GM	0	0
DH11	9359	-9359
DH12	-12271	4958



△5		Quantity		Cal.NO.:
△4		Unit	1/1000mm	JS05
△3		Scale	7 : 1	Parts No.:
△2		Date		
△1		Drawn		
Mark	Date	Description	Appr. Checked M. Kobayashi	Name:
Alterations			Approved	Frame for Case
Material			General Tolerances	Drawing No.: JS05C003
Heat Treatment			Dimensions	
Hardness			Angles	
Plating				

MIYOTA

CITIZEN WATCH CO.,LTD. TOKYO, JAPAN