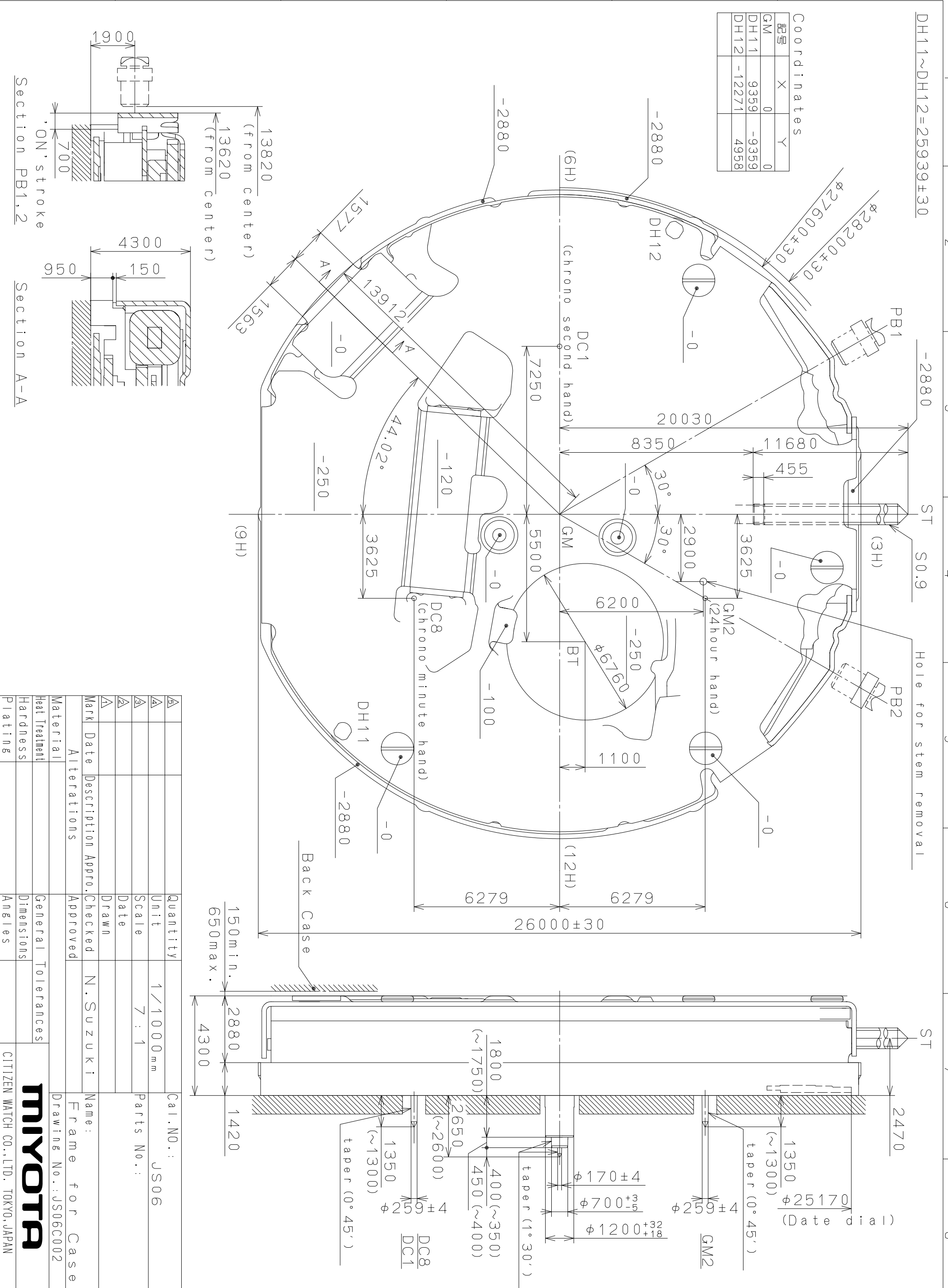


This drawing is provisional and subject to our reconfirmation and/or revision without notice.



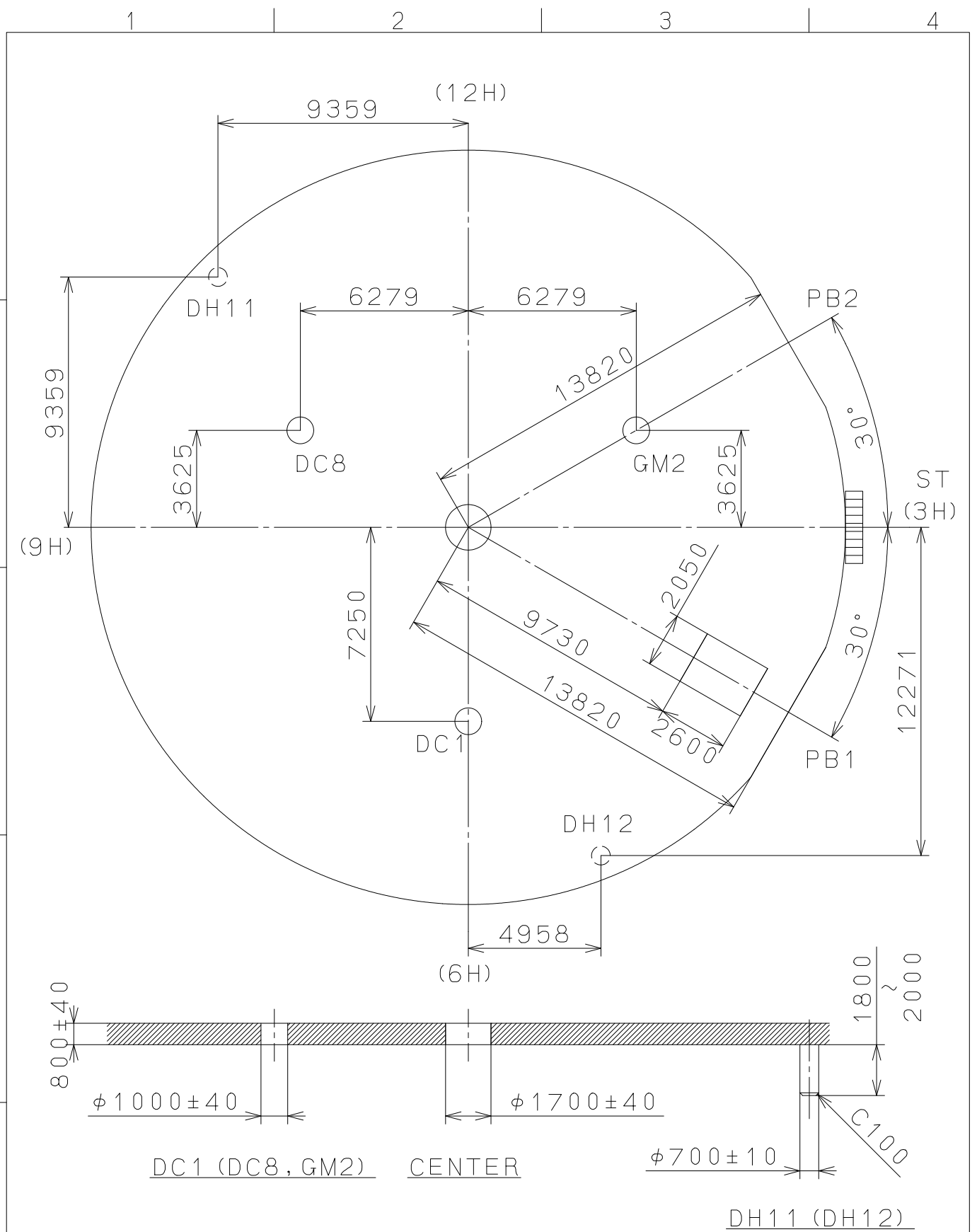
Mark	Date	Description	Appro.	Checked	Drawn	Name:
Δ		Alterations	Approved			N. Suzuki
Δ		Material				Frame for Case
Δ		Heat Treatment				Drawing No.: JS06C002
Δ		Hardness				
Δ		Plating				

Quantity	Unit	Cal. NO.:
1	1/1000 mm	JS06
Scale	7 : 1	Parts No.:
Date		
Drawn		
Checked		
Approved		

MIYOTA
CITIZEN WATCH CO., LTD. TOKYO, JAPAN

2010/02/01 (10:15:20)

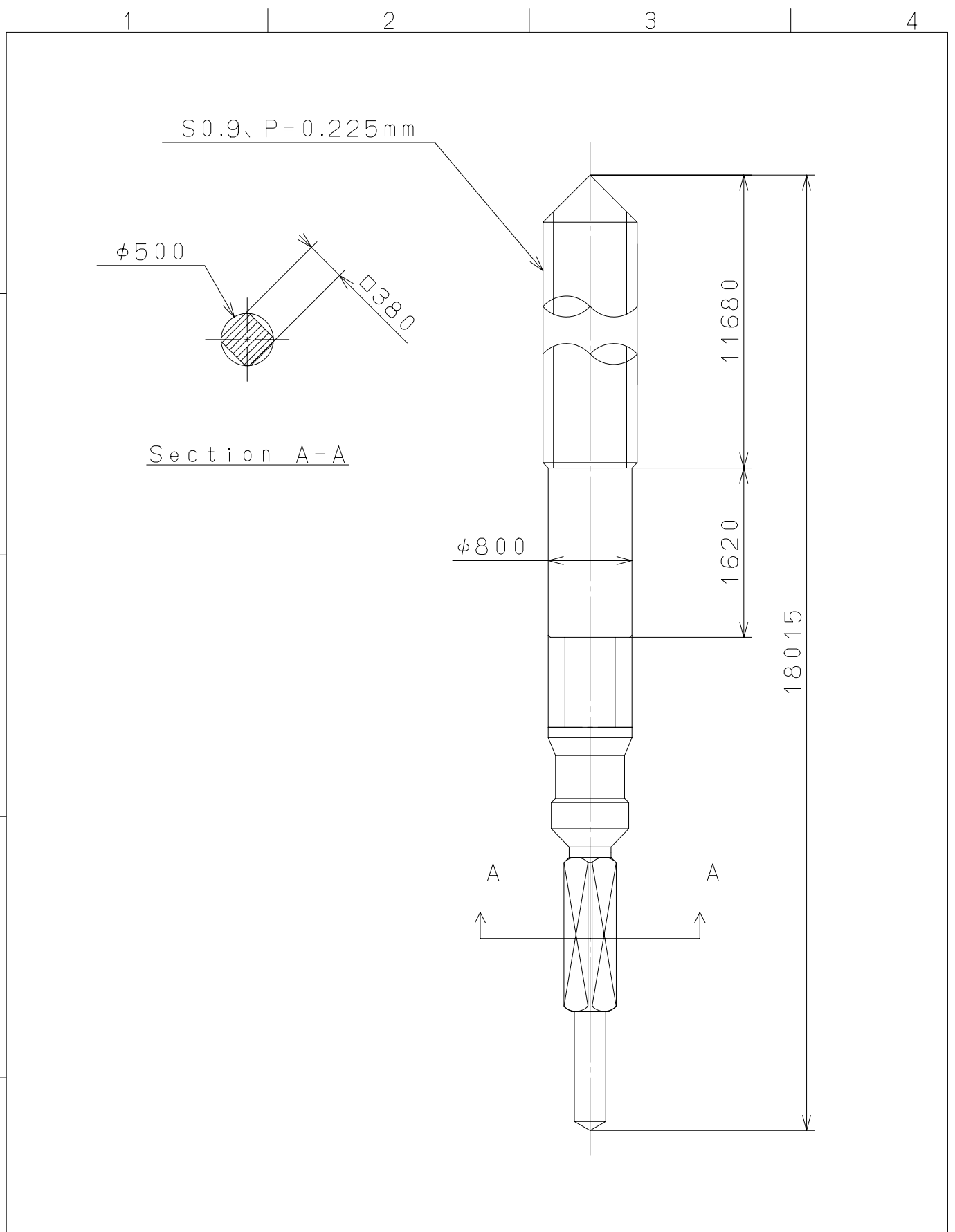
This drawing is provisional and subject to our reconfirmation and/or revision without notice.



△			Quantity		Cal.NO.:
△			Unit	1/1000 _{mm}	JS06-00C
△			Scale	5:1	Parts No.:
△			Date		
△			Drawn		
Mark	Date	Description	Appr.	Checked	Name:
		Alterations	Approved	N. Suzuki	Indications for Dial
Material					Drawing No.: JS06D000
Heat Treatment			General Tolerances		MIYOTA
Hardness			Dimensions		
Plating			Angles		
					CITIZEN WATCH CO., LTD. TOKYO, JAPAN

2006/12/25 (07:50:10)

This drawing is provisional and subject to our reconfirmation and/or revision without notice.



⑤			Quantity		Cal.NO.:
④			Unit	1 / 1000 mm	
③			Scale	20 / 1	Parts No.:
②			Date		065-505
①			Drawn		
Mark	Date	Description	Appr.	Checked	Name:
		Alterations		Approved	SETTING STEM
Material					Drawing No.: 5050S000
Heat Treatment				General Tolerances	MIYOTA
Hardness				Dimensions	
Plating				Angles	
					CITIZEN WATCH CO., LTD. TOKYO, JAPAN