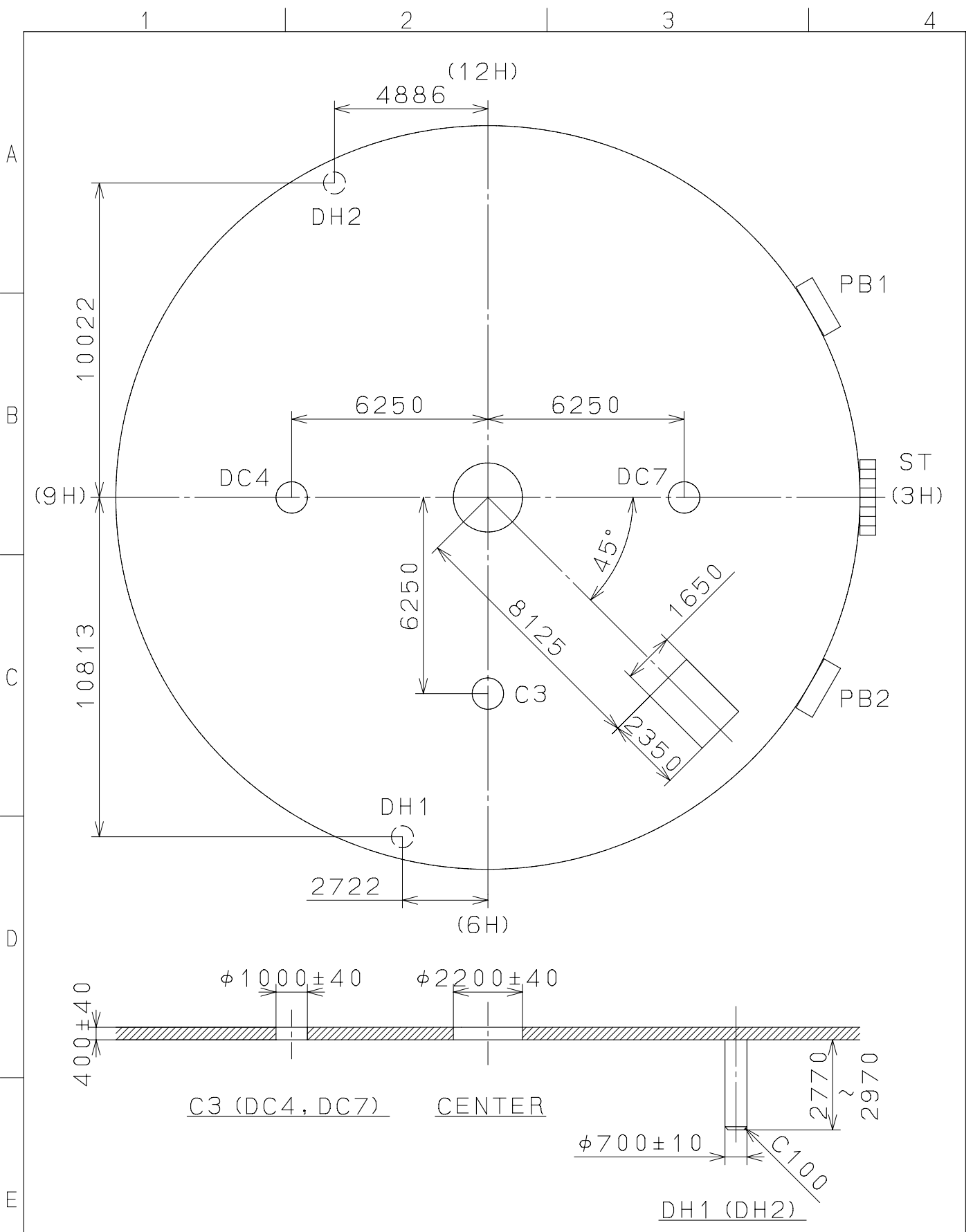


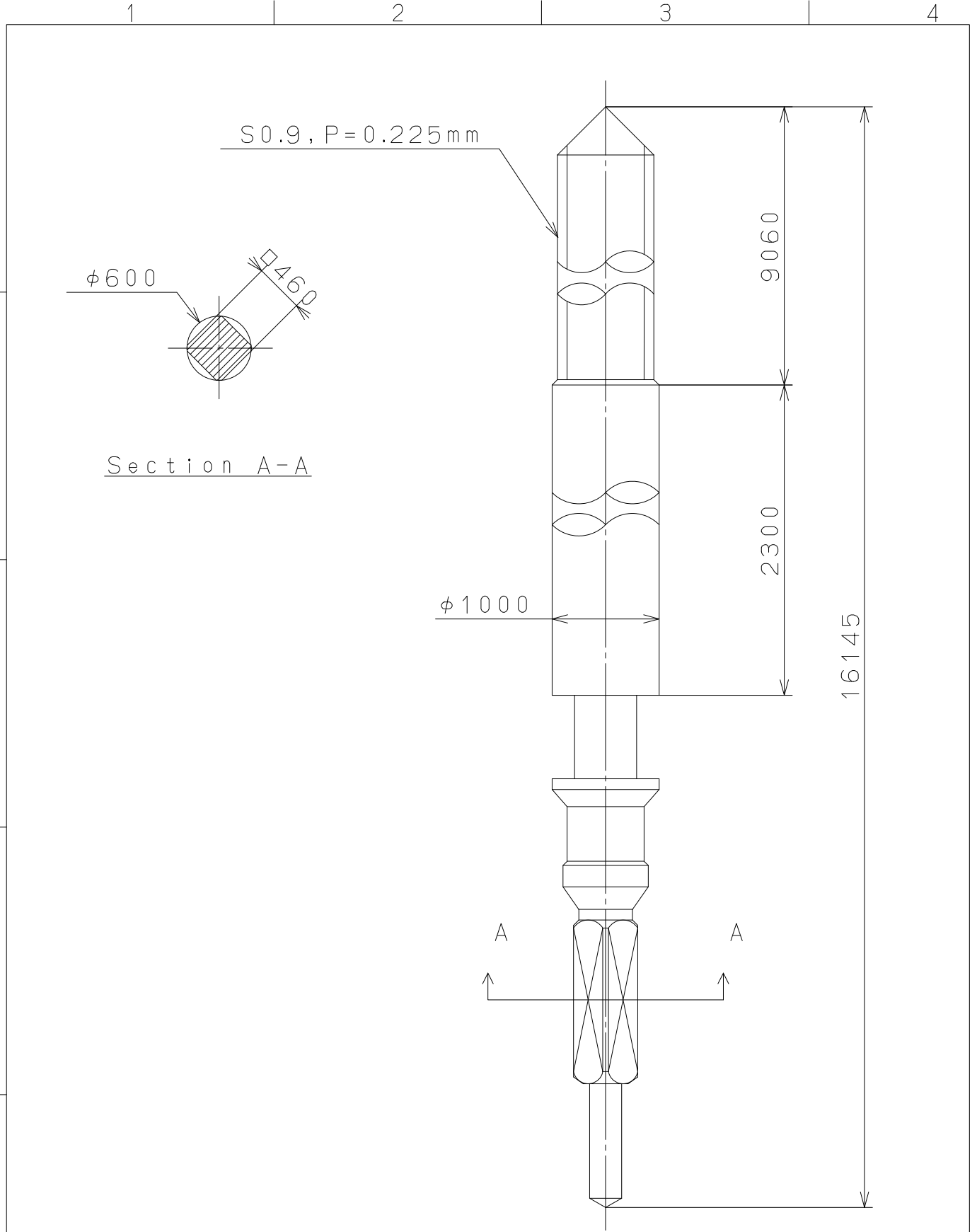
2008/05/30 (09:27:59)

This drawing is provisional and subject to our reconfirmation and/or revision without notice.



| | | | | | |
|----------------|------|-------------|--------------------|--------------------------------------|-----------------------|
| △ | | | Quantity | | Cal.NO.: |
| △ | | | Unit | 1/1000 _{mm} | FS26-00A |
| △ | | | Scale | 6:1 | Parts No.: |
| △ | | | Date | | |
| △ | | | Drawn | | |
| Mark | Date | Description | Appr. | Checked | Name: |
| | | Alterations | Approved | N. Suzuki | Indications for Dial |
| Material | | | | | Drawing No.: FS26D000 |
| Heat Treatment | | | General Tolerances | | |
| Hardness | | | Dimensions | | |
| Plating | | | Angles | | |
| | | | | CITIZEN WATCH CO., LTD. TOKYO, JAPAN | |

This drawing is provisional and subject to our reconfirmation and/or revision without notice.



| | | | | | |
|----------------|------|-------------|--------------------|--------------------------------------|-----------------------|
| △ | | | Quantity | | Cal.NO.: |
| △ | | | Unit | 1 / 1000 mm | |
| △ | | | Scale | 20 : 1 | Parts No.: |
| △ | | | Date | | 065-549 |
| △ | | | Drawn | | |
| Mark | Date | Description | Appro. | Checked | M. Kobayashi |
| Alterations | | | Approved | Name: SETTING STEM | |
| Material | | | | | Drawing No.: 5490S000 |
| Heat Treatment | | | | | MIYOTA |
| Hardness | | | | | |
| Plating | | | | | |
| | | | General Tolerances | CITIZEN WATCH CO., LTD. TOKYO, JAPAN | |
| | | | Dimensions | | |
| | | | Angles | | |