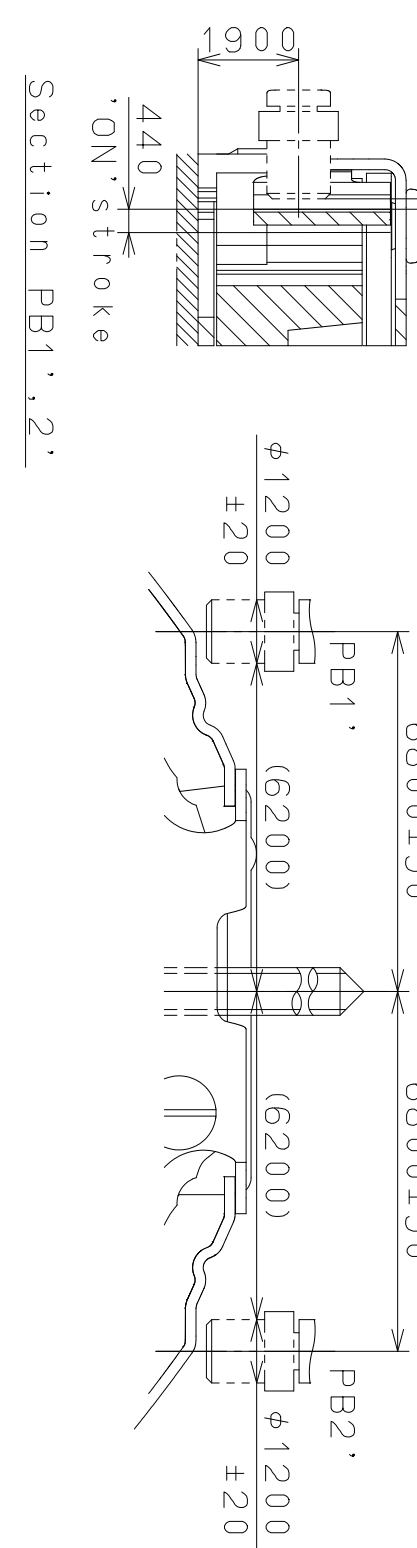
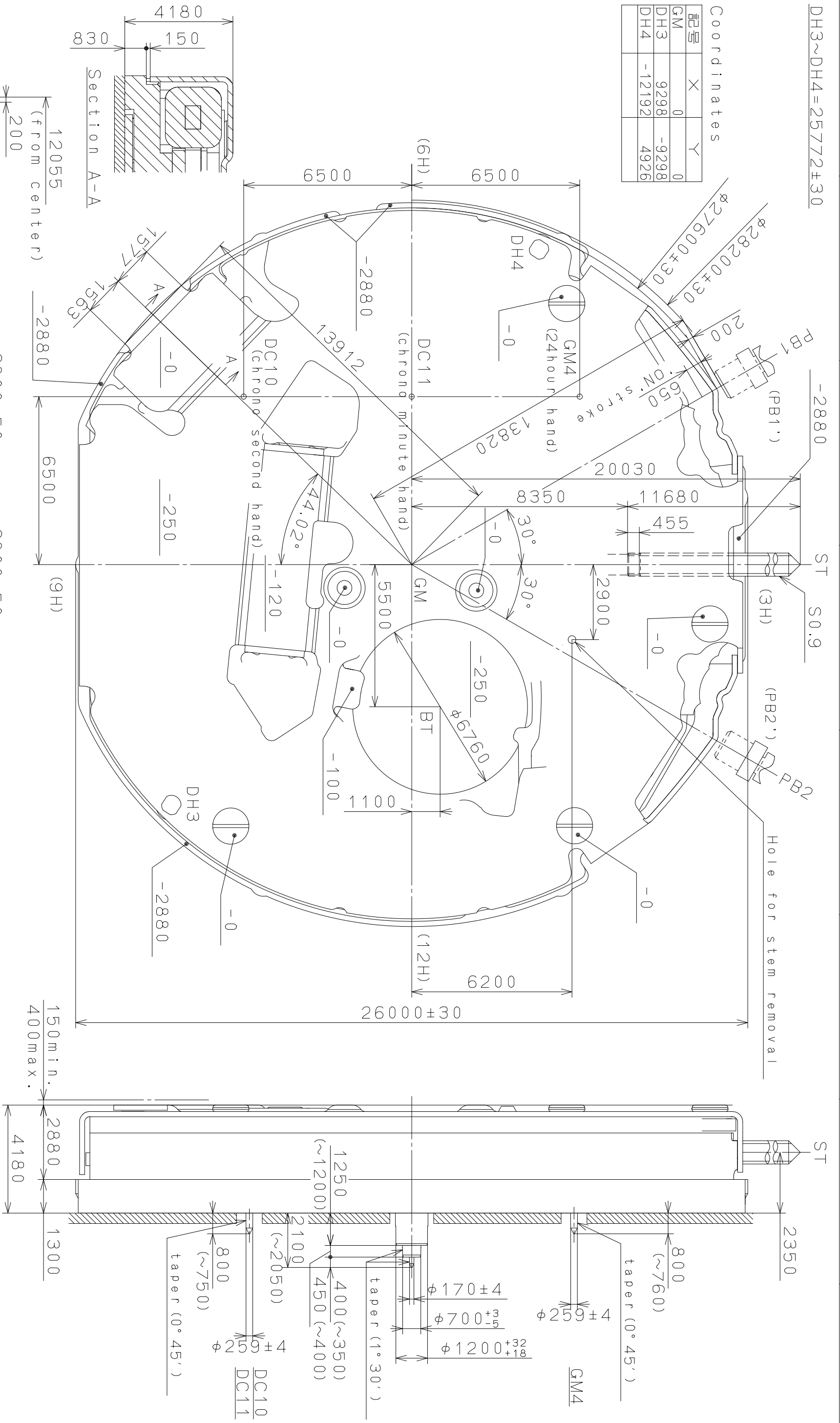


This drawing is provisional and subject to our reconfirmation and/or revision without notice.

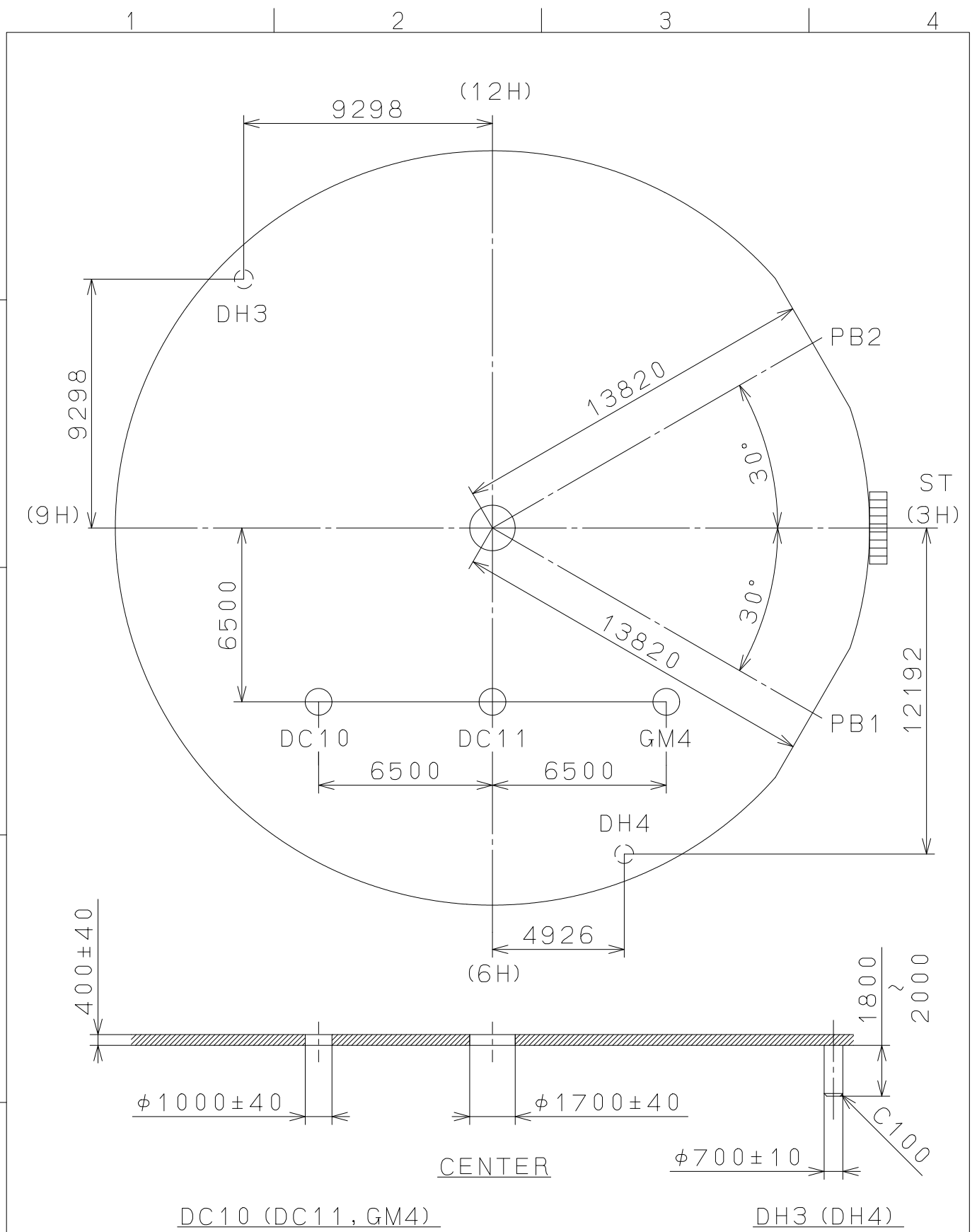
Coordinates		
記号	X	Y
GM	0	0
DH3	9298	-9298
DH4	-12192	4926



△	Quantity	Unit	Cal. NO.:
△	1	1/1000 mm	JSS50
△	Scale	7:1	Parts No.:
△	Date		
△	Drawn		
△	Checked		
△	Approved		
Mark	Date	Description	Appro. Checked
			N. Suzuki
Alterations	Name: Frame for Case		
Material	Drawing No.: JS50C001		
Heat Treatment			
Hardness			
Plating			
	General Tolerances		
	Dimensions		
	Angles		

MIYOTA
CITIZEN WATCH CO., LTD. TOKYO, JAPAN

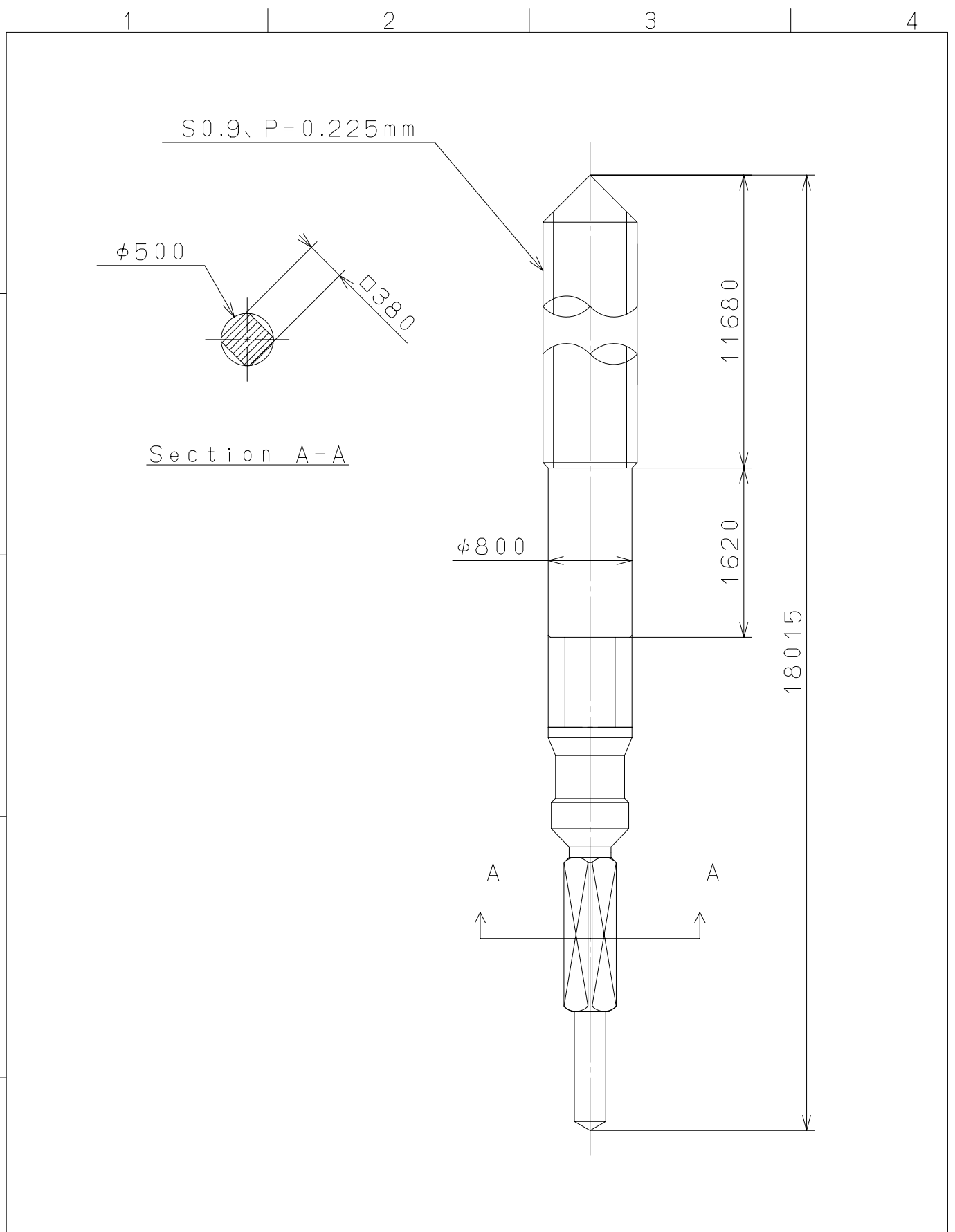
This drawing is provisional and subject to our reconfirmation and/or revision without notice.



△			Quantity		Cal.NO.:
△			Unit	1/1000 _{mm}	JS50-00C
△			Scale	5:1	Parts No.:
△			Date		
△			Drawn		
Mark	Date	Description	Appr.	Checked	Name:
		Alterations	Approved	N. Suzuki	Indications for Dial
Material					Drawing No.: JS50D001
Heat Treatment			General Tolerances		MIYOTA
Hardness			Dimensions		
Plating			Angles		
					CITIZEN WATCH CO., LTD. TOKYO, JAPAN

2006/12/25 (07:50:10)

This drawing is provisional and subject to our reconfirmation and/or revision without notice.



⑤			Quantity		Cal.NO.:
④			Unit	1 / 1000 mm	
③			Scale	20 / 1	Parts No.:
②			Date		065-505
①			Drawn		
Mark	Date	Description	Appr.	Checked	Name:
		Alterations		Approved	SETTING STEM
Material					Drawing No.: 5050S000
Heat Treatment				General Tolerances	MIYOTA
Hardness				Dimensions	
Plating				Angles	
					CITIZEN WATCH CO., LTD. TOKYO, JAPAN