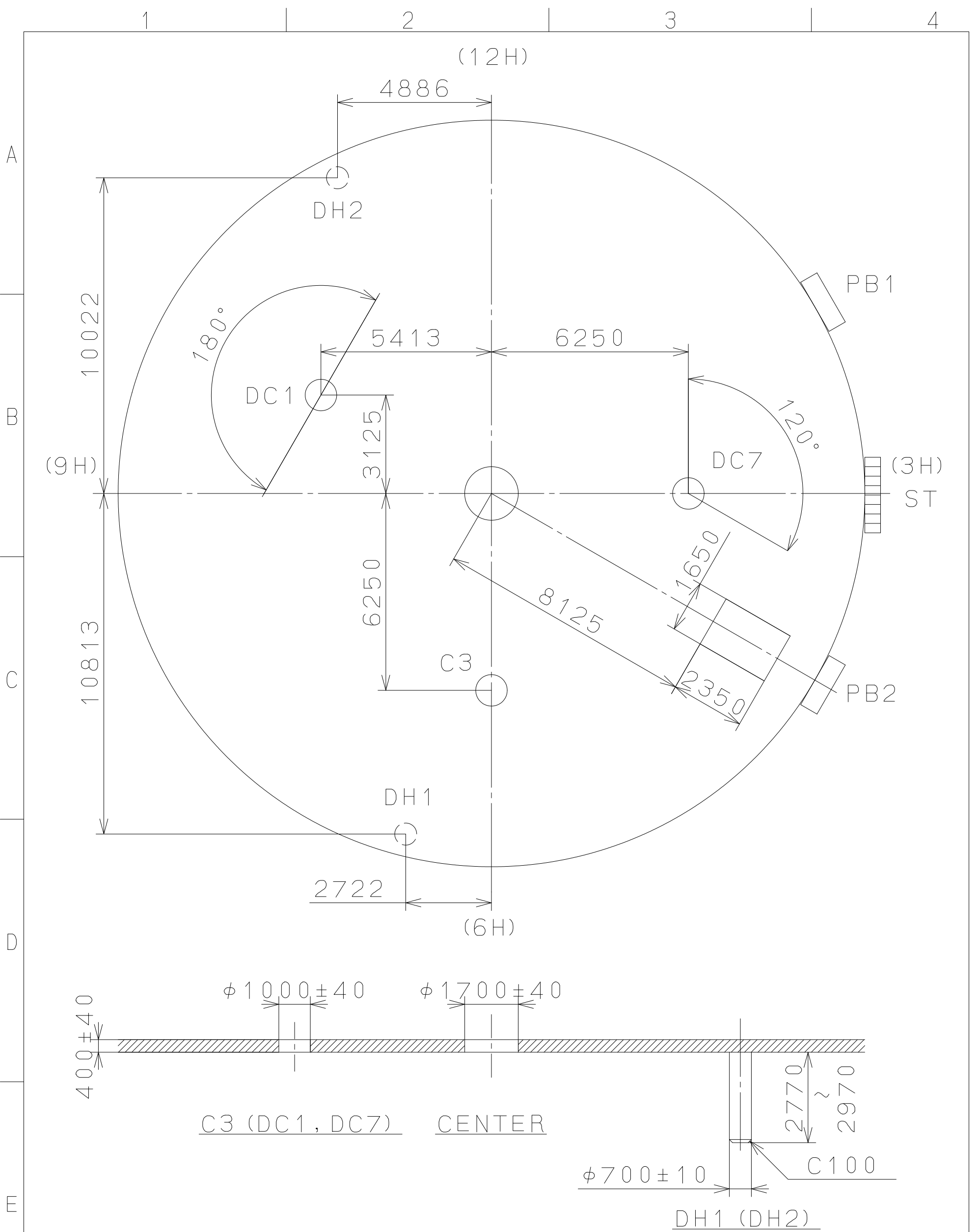


confidential papers 2013/03/25 (10:27:33)

This drawing is provisional and subject to our reconfirmation and/or revision without notice.



⑤			Quantity		Cal. NO.:
④			Unit	1/1000 mm	FS80-00A
③			Scale	6 : 1	Parts No.:
②			Date		
①			Drawn		
Mark	Date	Description	Appro.	Checked	Name:
		Alterations		Approved	Indications for Dial
Material					Drawing No.: FS80D000
Heat Treatment				General Tolerances	MIYOTA CITIZEN WATCH CO., LTD. TOKYO, JAPAN
Hardness				Dimensions	
Plating				Angles	