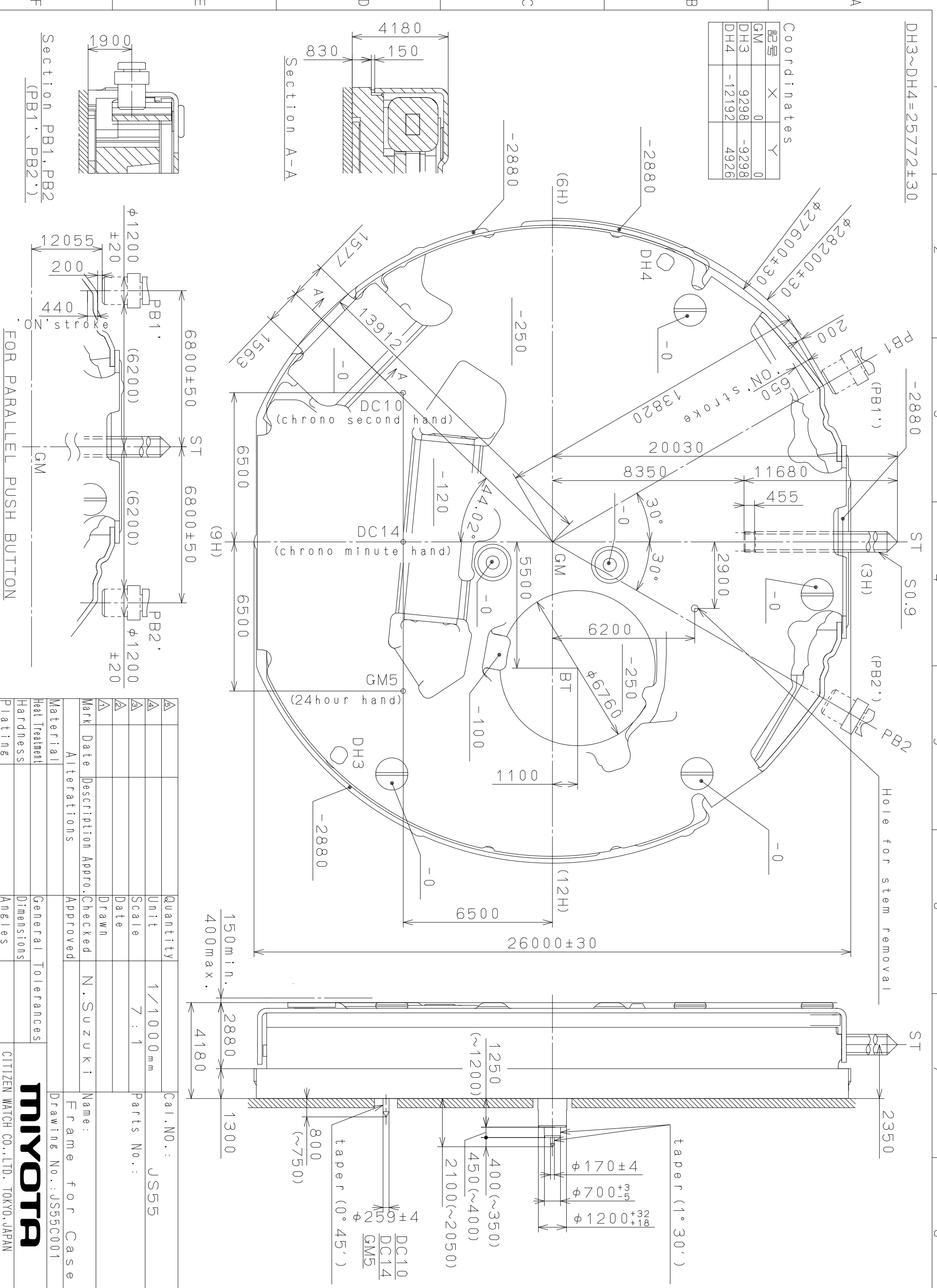


記号	X	Y
GM	0	0
DH3	9298	-9298
DH4	-12192	4926



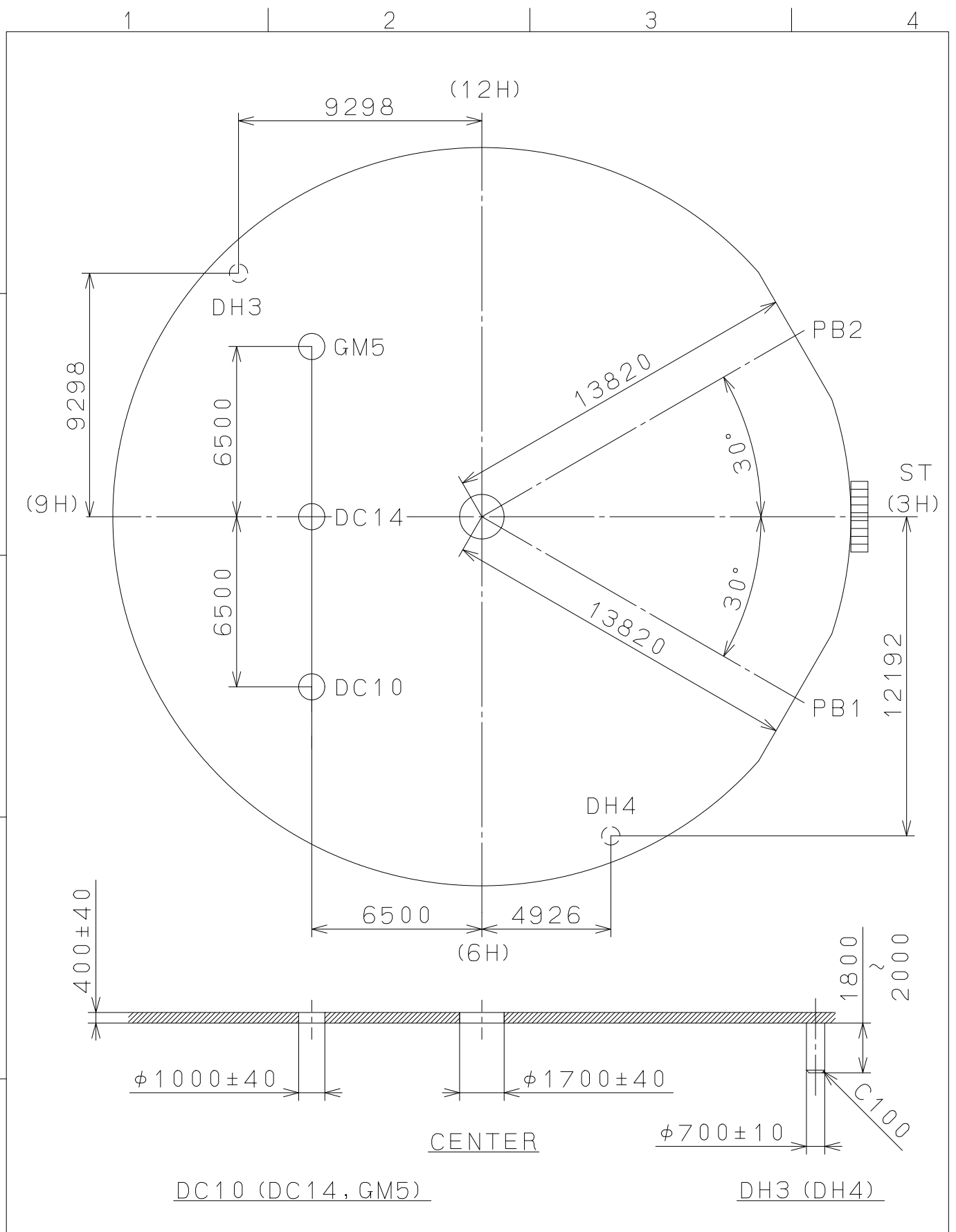
Mark	Date	Description	Appr.	Checked	Drawn	Quantity	Unit	Cal. NO.:
△						1	1/1000 mm	JS55
△						7	1	Parts No.:
△								
△								

Alterations	Approved	Name:
		N. Suzuki

Material	General Tolerances
Material	Material
Heat Treatment	Heat Treatment
Hardness	Hardness
Plating	Plating

Frame for Case
 Drawing No.: JS55C001
MIYOTA
 CITIZEN WATCH CO., LTD. TOKYO, JAPAN

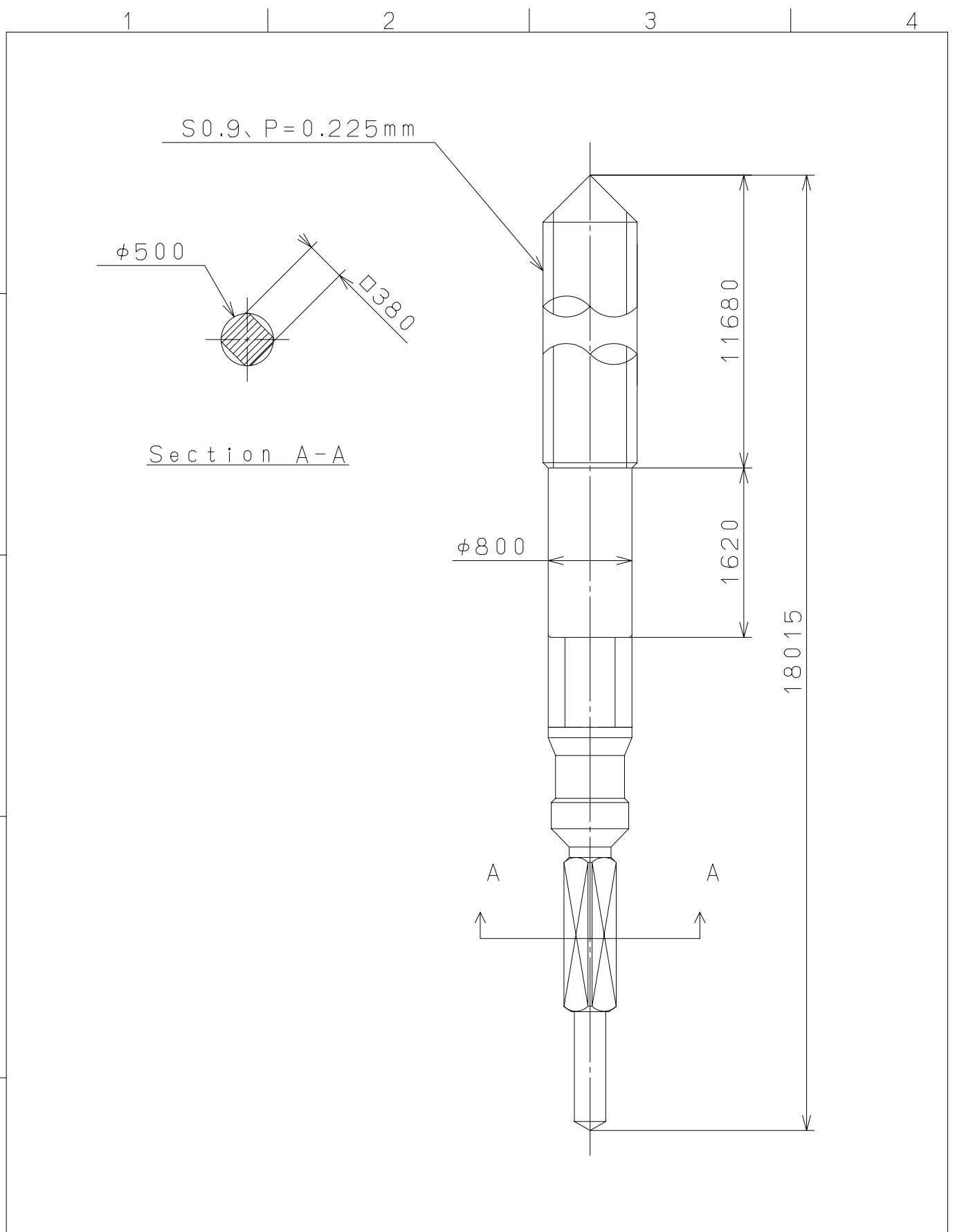
This drawing is provisional and subject to our reconfirmation and/or revision without notice.



△			Quantity		Cal.NO.:
△			Unit	1/1000 _{mm}	JS55-00C
△			Scale	5 : 1	Parts No.:
△			Date		
△			Drawn		
Mark	Date	Description	Appr.	Checked	Name:
		Alterations	Approved	N. Suzuki	Indications for Dial
Material					Drawing No.: JS55D001
Heat Treatment			General Tolerances	MIYOTA CITIZEN WATCH CO., LTD. TOKYO, JAPAN	
Hardness			Dimensions		
Plating			Angles		

2006/12/25 (07:50:10)

This drawing is provisional and subject to our reconfirmation and/or revision without notice.



⑤			Quantity		Cal.NO.:
④			Unit	1 / 1000 mm	
③			Scale	20 / 1	Parts No.:
②			Date		065-505
①			Drawn		Name:
Mark	Date	Description	Appr.	Checked	T.Hiruta
Alterations			Approved	SETTING STEM	
Material				Drawing No.: 5050S000	
Heat Treatment				MIYOTA CITIZEN WATCH CO., LTD. TOKYO, JAPAN	
Hardness					
Plating					