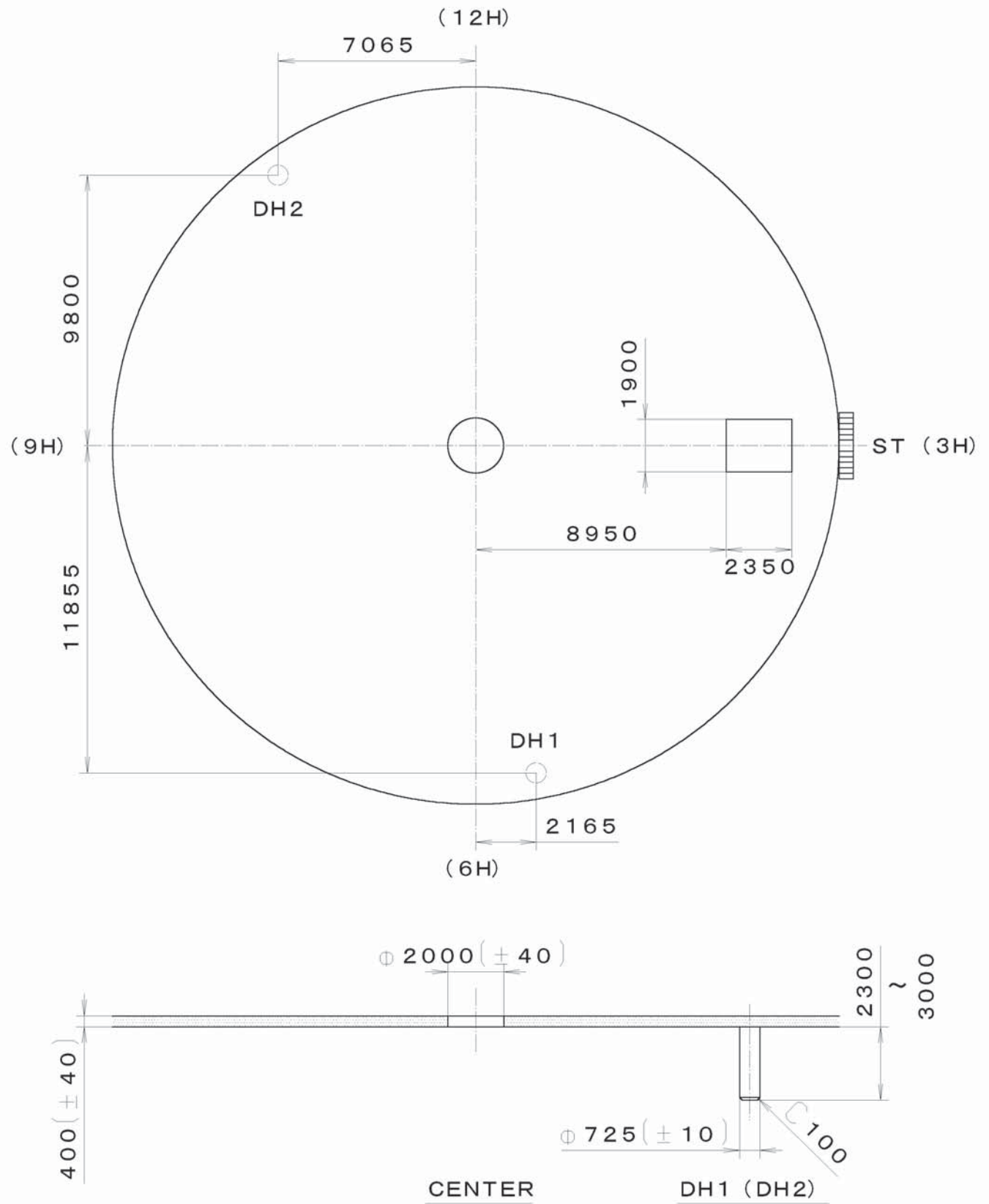




This drawing is provisional and subject to our reconfirmation and/or revision without notice.

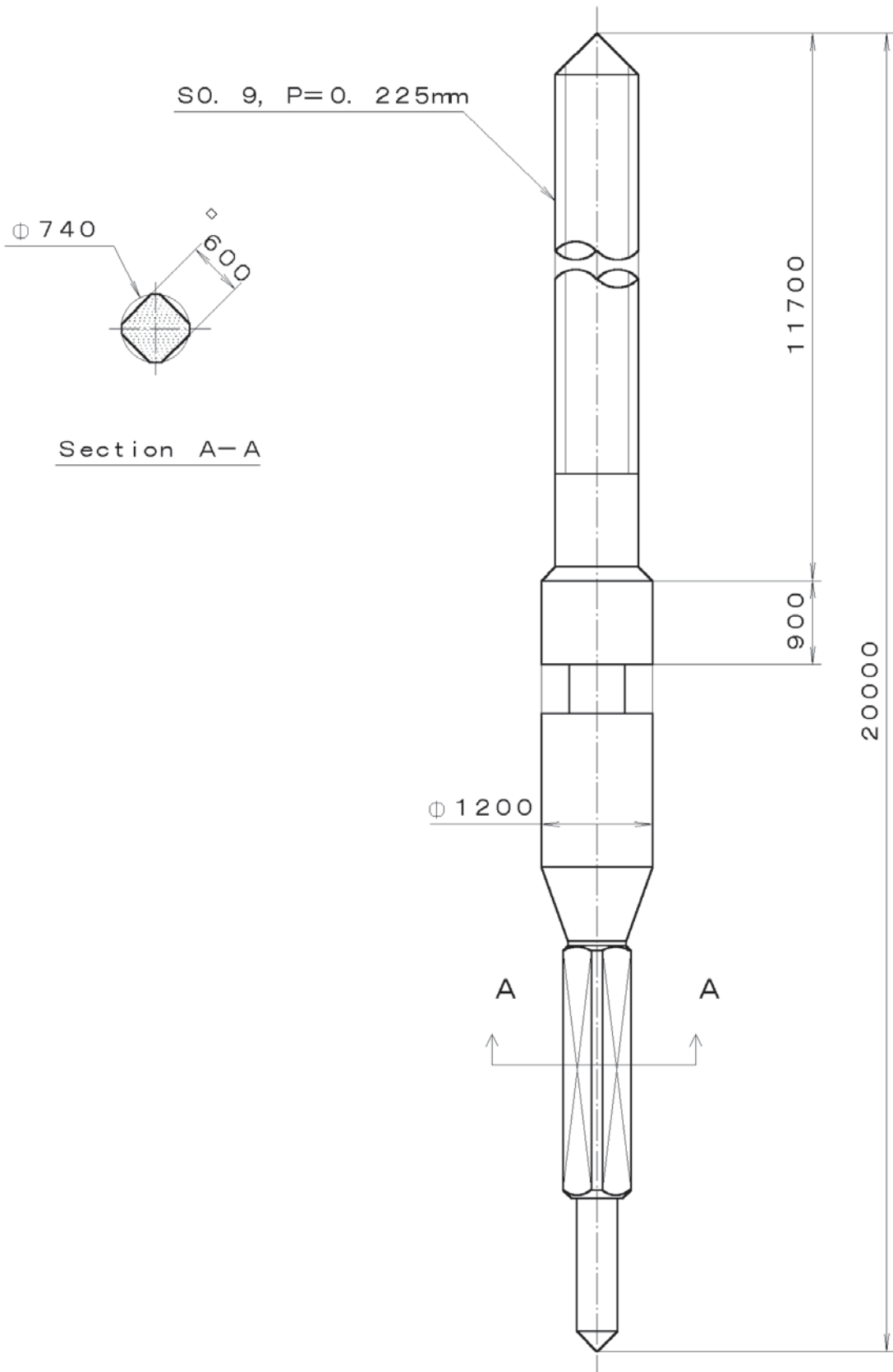
\*\*\* T I P W 8215-21A (01) \*\*\* (2100 1121) 02-03-11



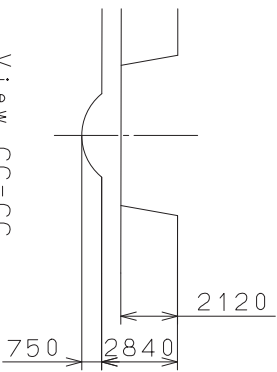
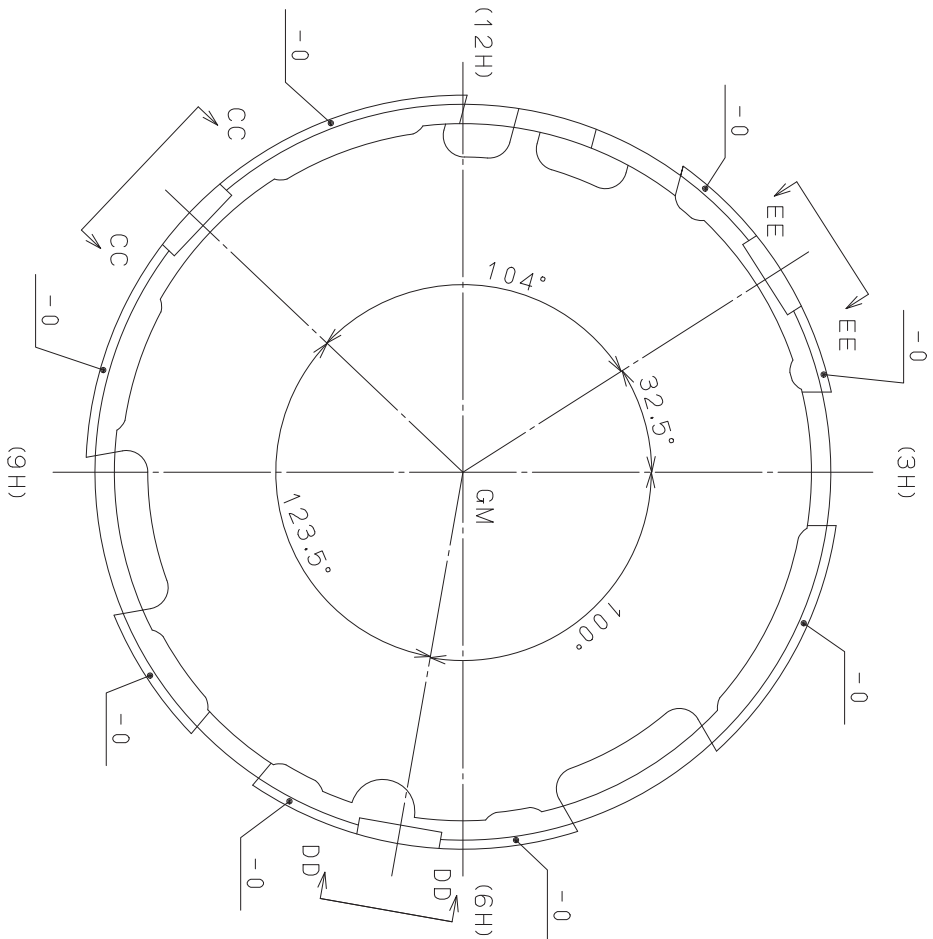
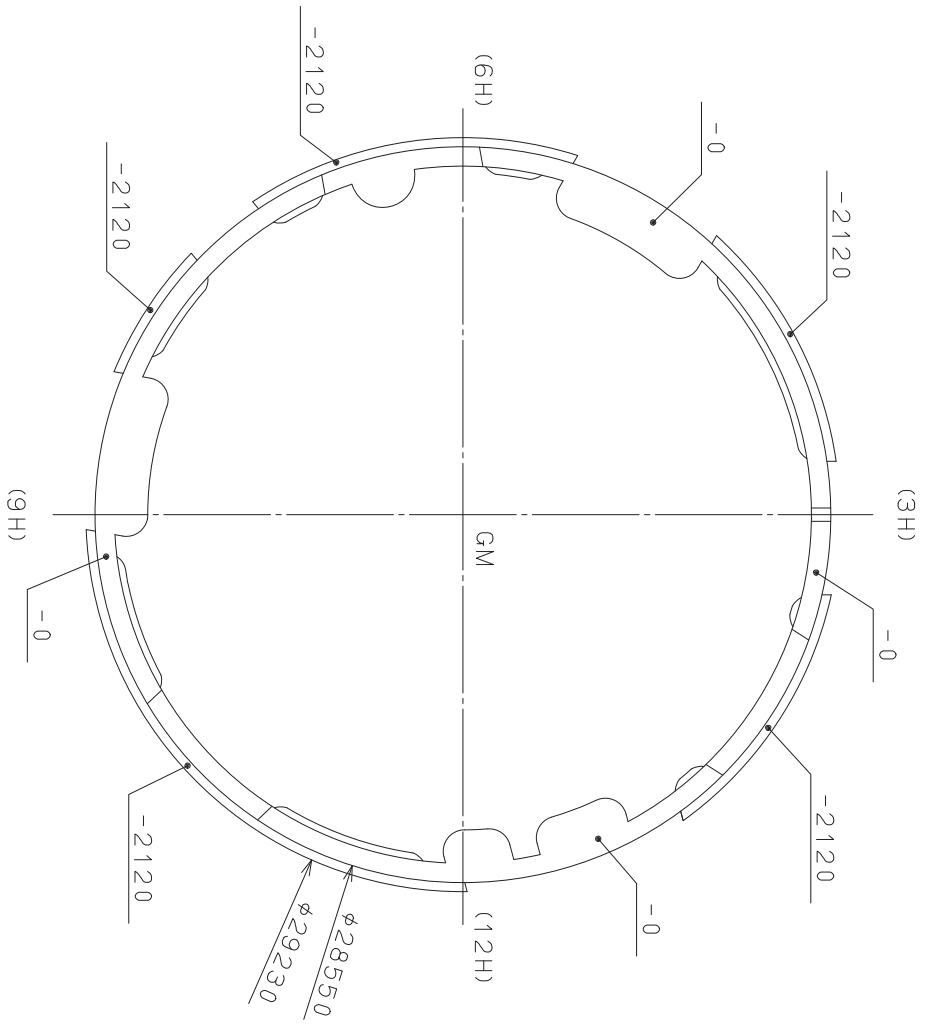
△		Quantity		Cal. No. :	8215-21A
△		Unit	1/1000 mm	Parts:	
△		Scale	5:1	Name:	Indications for Dial
△		Date		Drawing No. :	8215D001
△		Drawn		<b>MIYOTA</b>	
△		Checked	T. Hiruta		
△		Approved			
Material		General Tolerances			
Heat Treatment		Dimensions			
Hardness		Angles			
Plating					

This drawing is provisional and subject to our reconfirmation and/or revision without notice.

xxx T I P W (01) xxx (2100 1121) 00-09-18 065-212



7		Quantity		Cal. No. :
6		Unit	1/1000 mm	
5		Scale	15:1	Parts:
4		Date		065-212
3		Drawn		Name:
2		Checked	T. Hiruta	SETTING STEM
1		Approved		Drawing No. : 2120S000
Material				<b>MIYOTA</b>
Heat Treatment		General Tolerances		
Hardness		Dimensions		
Plating		Angles		



View CC-CC  
DD-DD, EE-EE

△	Quantity	1/1000 mm	Cal. No.:
△	Unit	5 : 1	Parts No.:
△	Scale	500-710	
△	Date		
△	Date		
△	Drawn		
Mark	Date	Appr.	Checked
Alterations	N. Suzuki		
Material	Casing Holder		
Heat Treatment	Drawing No.: 8200E002		
Hardness	General Tolerances		
Plating	Dimensions		
	Angles		
	CITIZEN WATCH CO., LTD. TOKYO, JAPAN		
	<b>MIYOTA</b>		