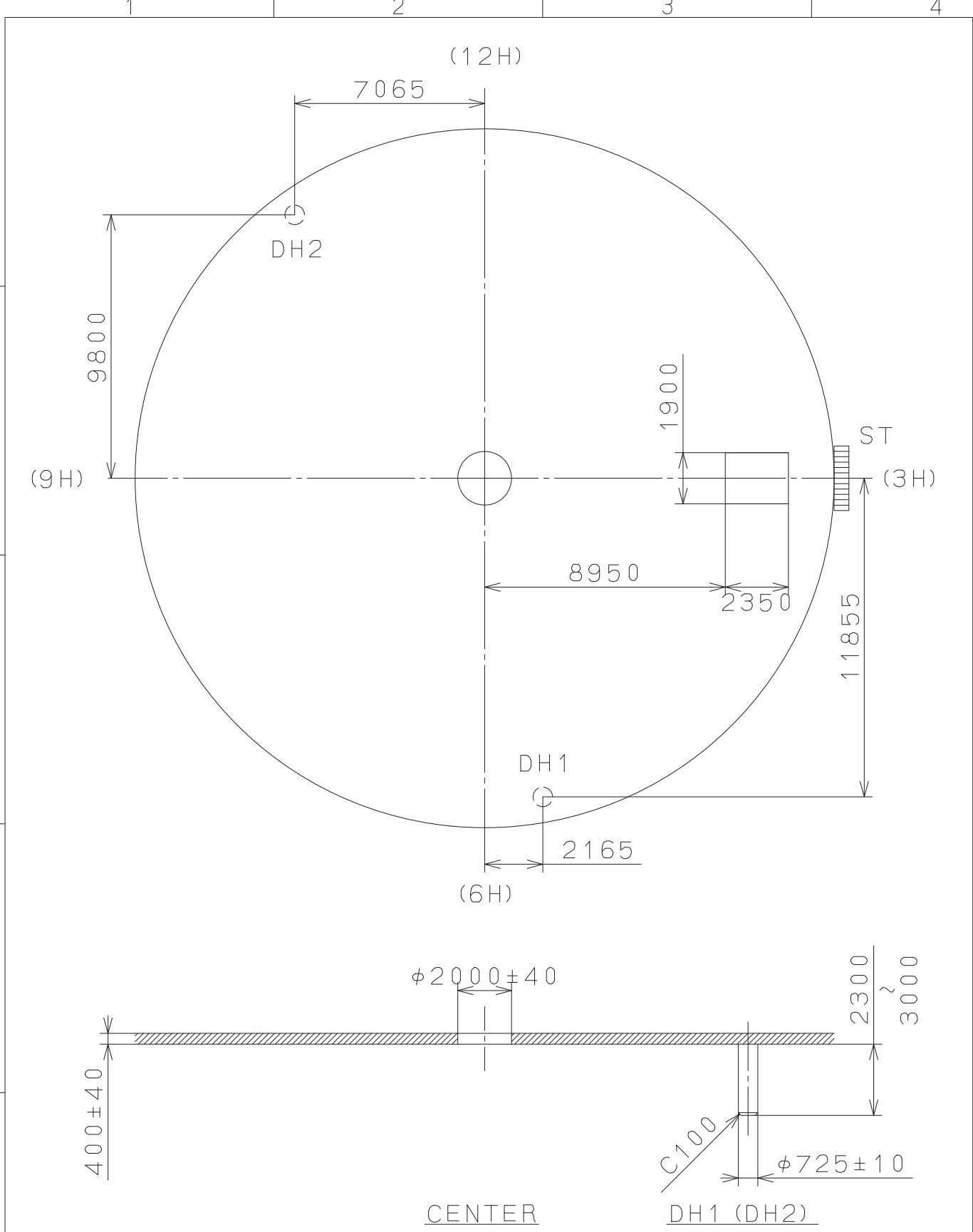


△	Quantity	Unit	1/1000 mm	Cal. NO.:	8215
△	Scale	6:1	Parts No.:		
△	Date	Drawn			
△	Mark Date	Description	Checked	N. Suzuki	Name:
△	Alterations	Approved			Frame for Case
△	Material	General Tolerances			
△	Hardness	Dimensions			
△	Plating	Angles			
		CITIZEN WATCH CO., LTD. TOKYO, JAPAN			



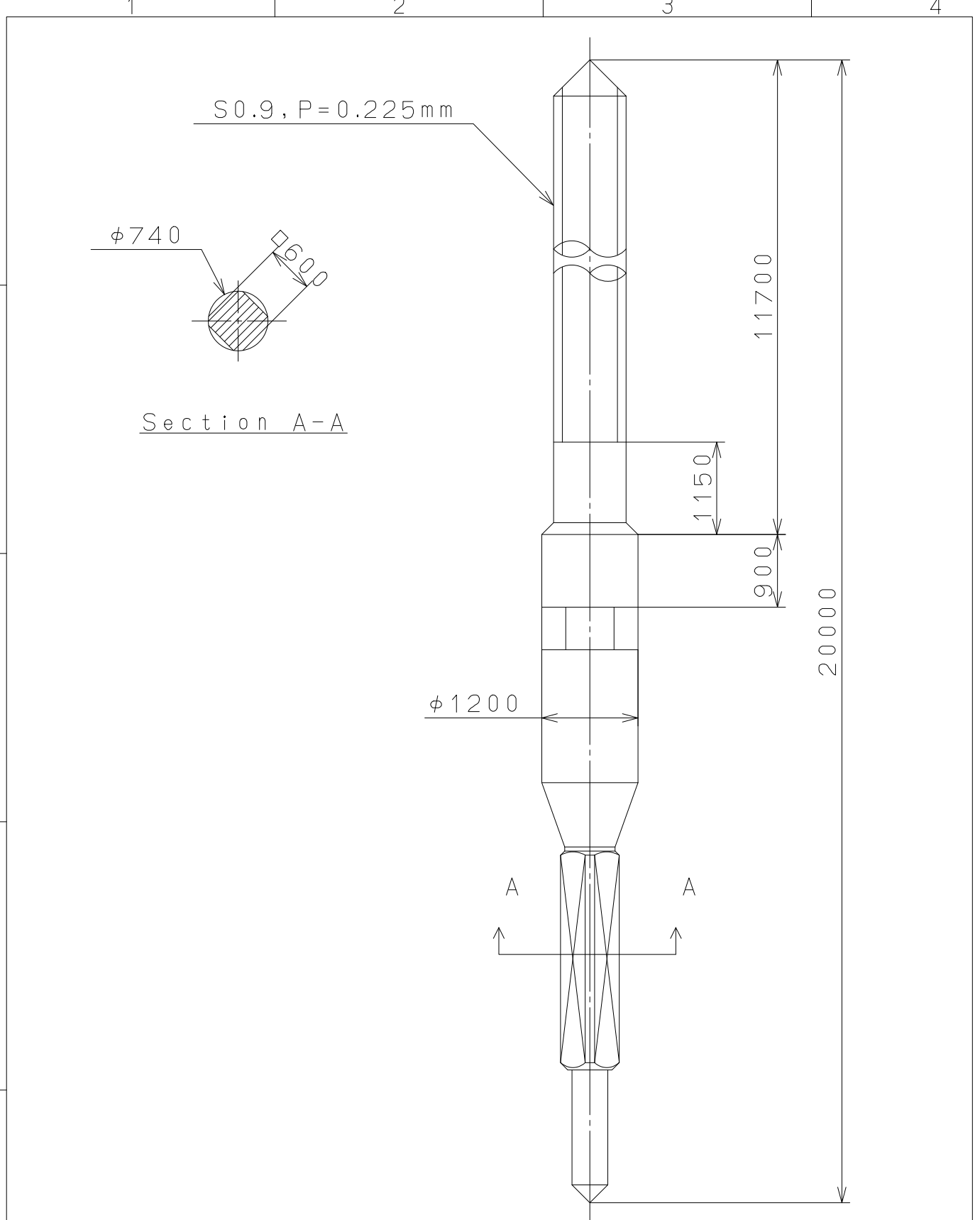
This drawing is provisional and subject to our reconfirmation and/or revision without notice.



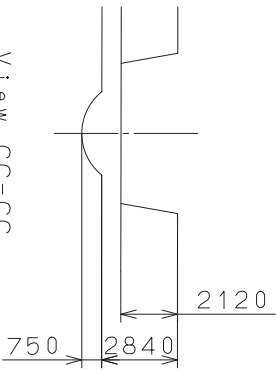
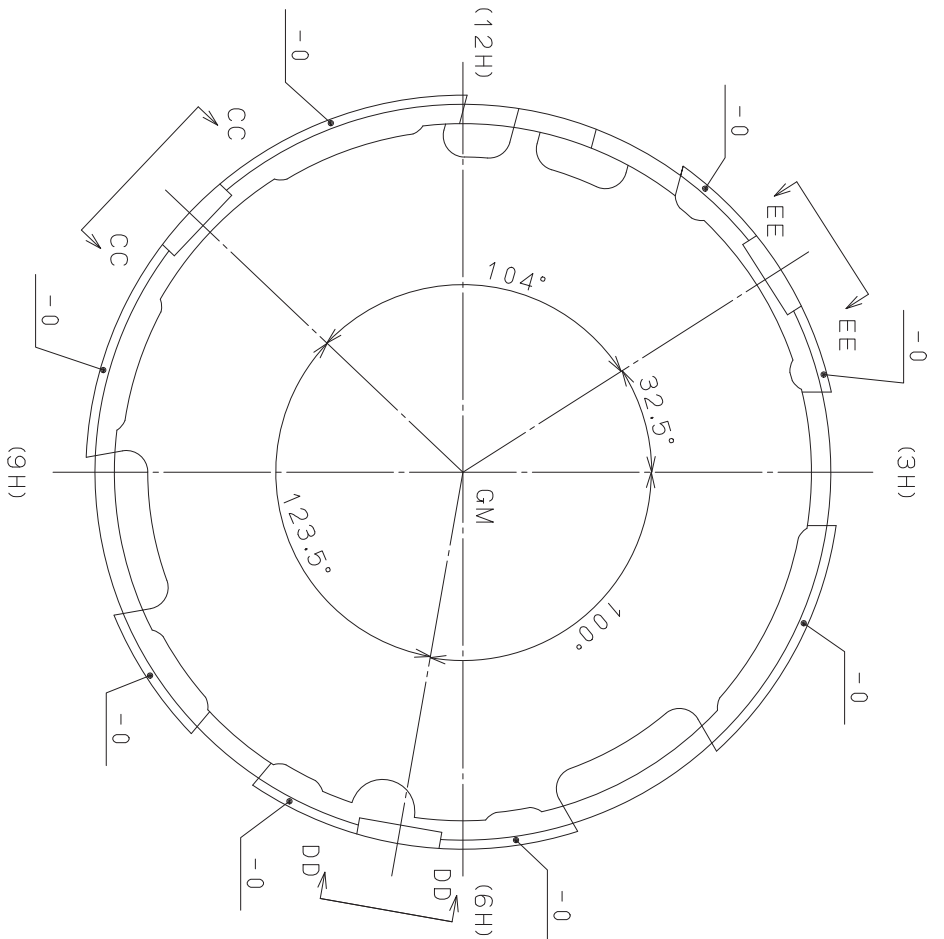
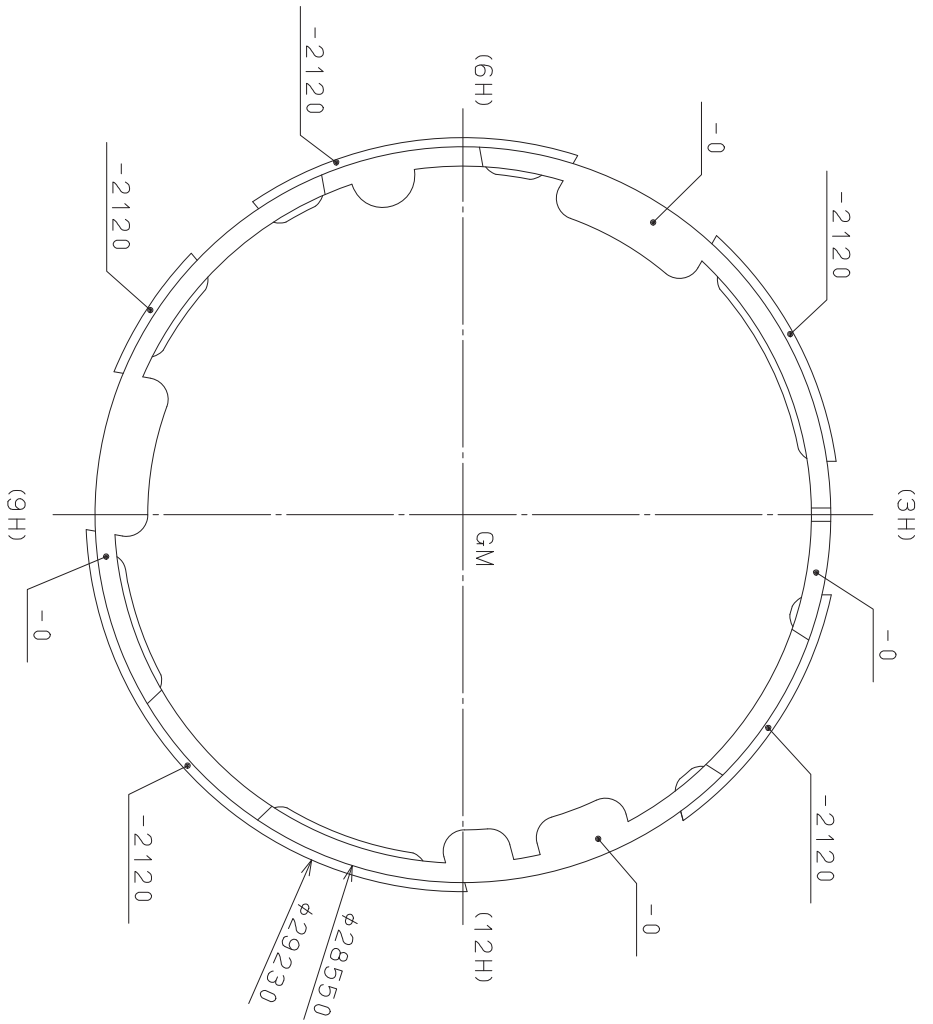
⑤			Quantity		Cal. NO.:	<b>8215-21A</b>
④			Unit	1 / 1000 mm		
③			Scale	5 : 1	Parts No.:	
②			Date			
①			Drawn			
Mark	Date	Description	Appro.	Checked	M. Kobayashi	Name:
Alterations			Approved			Indications for Dial
Material					Drawing No.: 821AD000	
Heat Treatment						
Hardness						
Plating						
					CITIZEN WATCH CO., LTD. TOKYO, JAPAN	

2008/11/14 (11:30:42)

This drawing is provisional and subject to our reconfirmation and/or revision without notice.



△5			Quantity		Cal.NO.:
△4			Unit	1/1000mm	
△3			Scale	15:1	Parts No.:
△2			Date		065-212
△1			Drawn		
Mark	Date	Description	Appr.	Checked	Name:
		Alterations	Approved	N. Suzuki	SETTING STEM
Material					Drawing No.: 2120S001
Heat Treatment			General Tolerances	<b>MIYOTA</b> CITIZEN WATCH CO., LTD. TOKYO, JAPAN	
Hardness			Dimensions		
Plating			Angles		



View CC-CC  
DD-DD, EE-EE

△	Quantity	1/1000 mm	Cal. No.:
△	Unit	5 : 1	Parts No.:
△	Scale	500-710	
△	Date		
△	Date		
△	Drawn		
Mark	Date	Appr.	Checked
Alterations	N. Suzuki		
Material	Casing Holder		
Heat Treatment	Drawing No.: 8200E002		
Hardness	General Tolerances		
Plating	Dimensions		
	Angles		
	CITIZEN WATCH CO., LTD. TOKYO, JAPAN		
	<b>MIYOTA</b>		