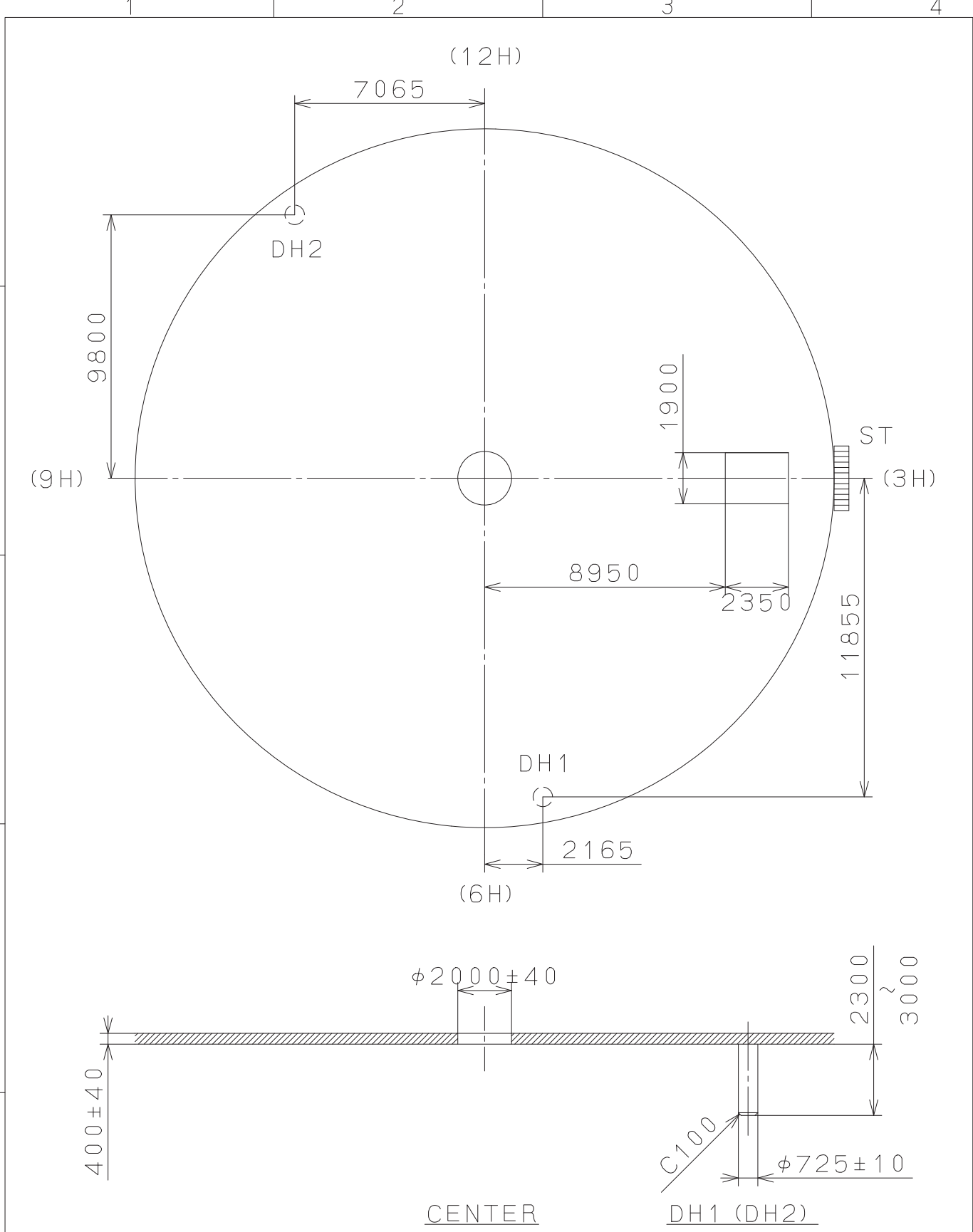


CONFIDENTIAL 2015/08/18 (15:04:55)

This drawing is provisional and subject to our reconfirmation and/or revision without notice.



| | | | | | |
|----------------|--------------------|-------------|----------|-------------|--------------------------------------|
| △5 | | | Quantity | | Cal. NO.: 8215-21A |
| △4 | | | Unit | 1 / 1000 mm | |
| △3 | | | Scale | 5 : 1 | Parts No.: |
| △2 | | | Date | | |
| △1 | | | Drawn | | |
| Mark | Date | Description | Appr. | Checked | M. Kobayashi |
| Alterations | | | Approved | Name: | |
| Material | | | | | Drawing No.: 821AD000 |
| Heat Treatment | General Tolerances | | | | MIYOTA |
| Hardness | Dimensions | | | | |
| Plating | Angles | | | | |
| | | | | | CITIZEN WATCH CO., LTD. TOKYO, JAPAN |