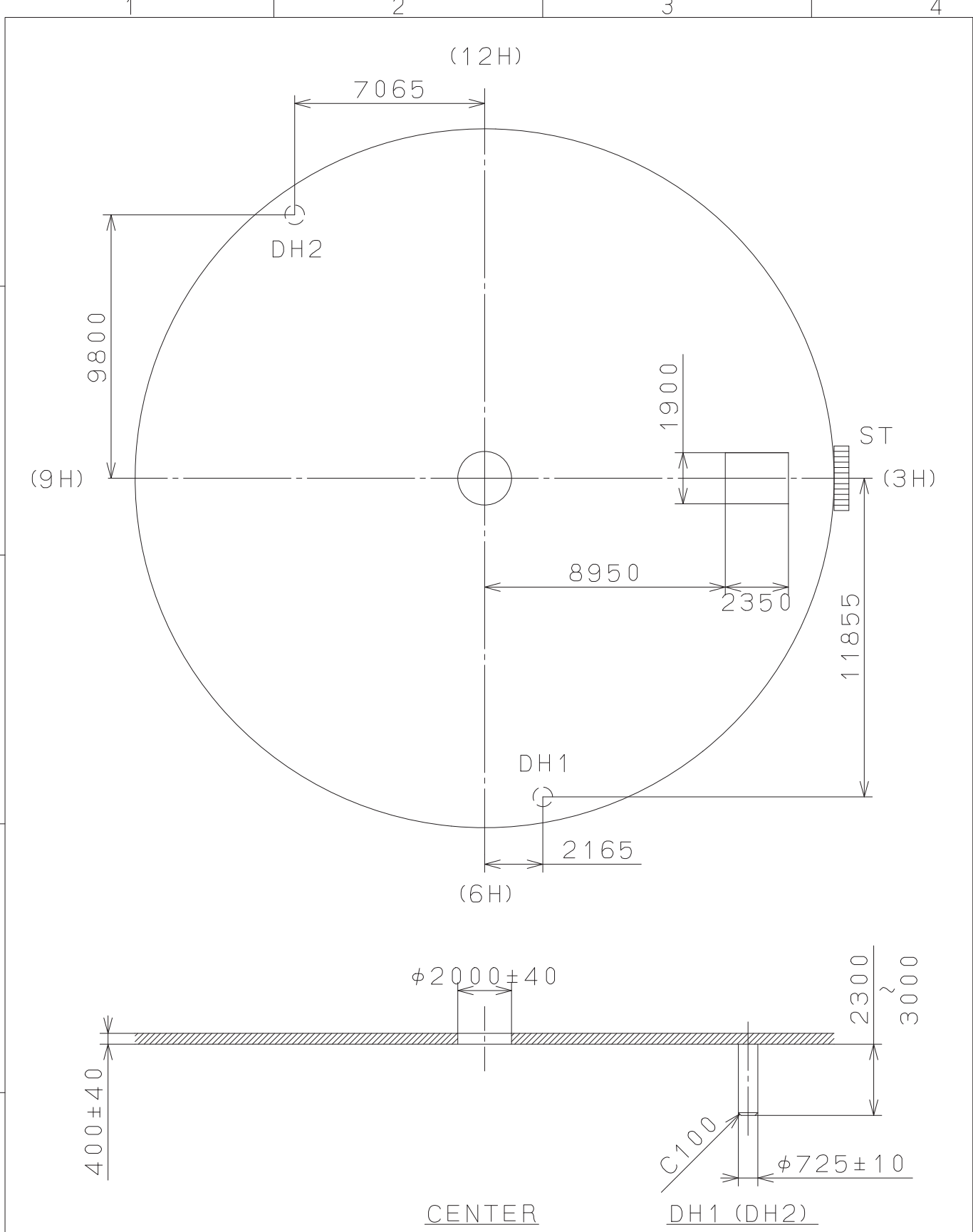


This drawing is provisional and subject to our reconfirmation and/or revision without notice.



△5			Quantity		Cal. NO. : 8215-1AV
△4			Unit	1 / 1000 mm	
△3			Scale	5 : 1	Parts No. :
△2			Date		
△1			Drawn		
Mark	Date	Description	Appr.	Checked	M. Kobayashi
Alterations			Approved	Name :	
Material					Drawing No. : 821AD000
Heat Treatment	General Tolerances				MIYOTA
Hardness	Dimensions				
Plating	Angles				
					CITIZEN WATCH CO., LTD. TOKYO, JAPAN