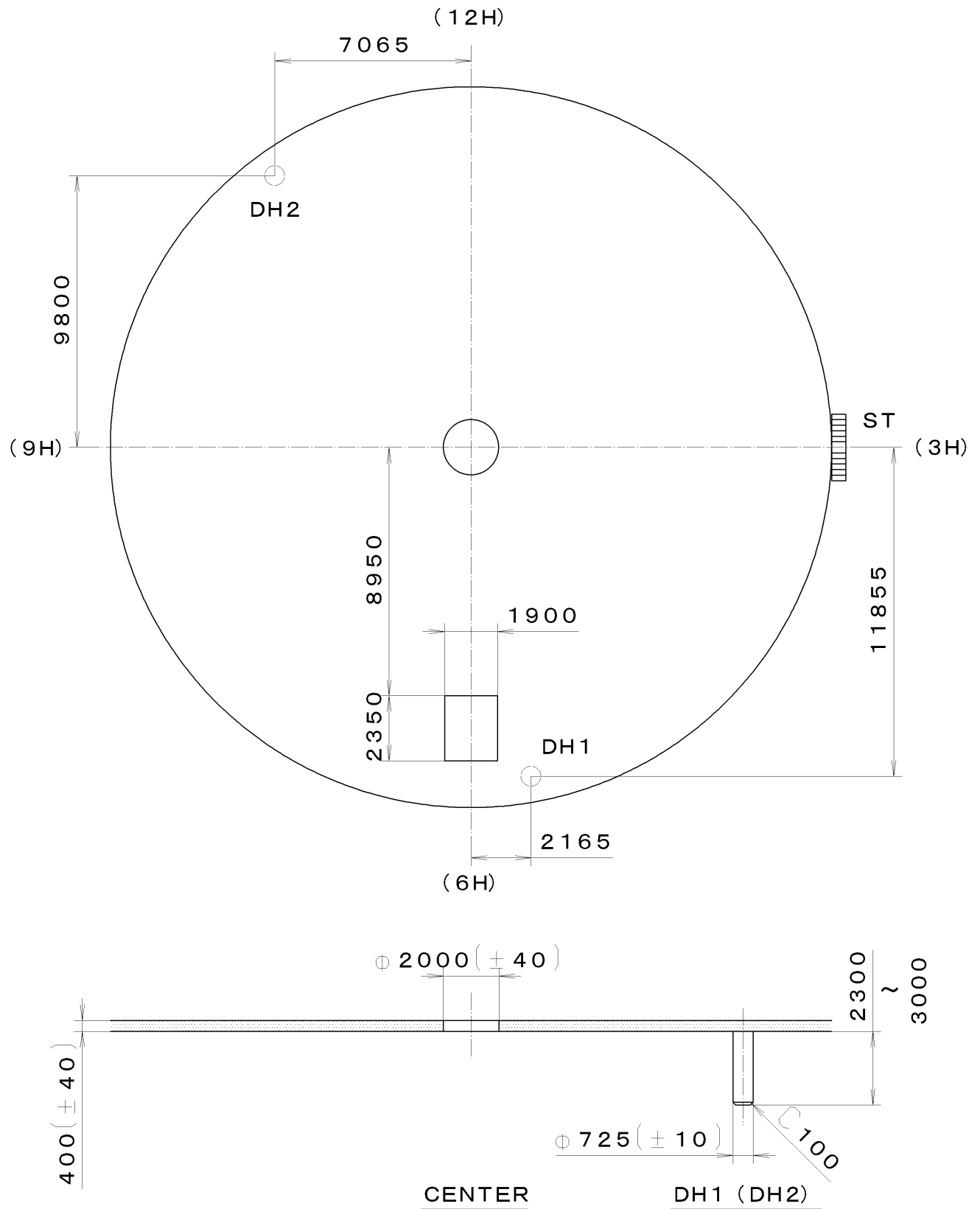



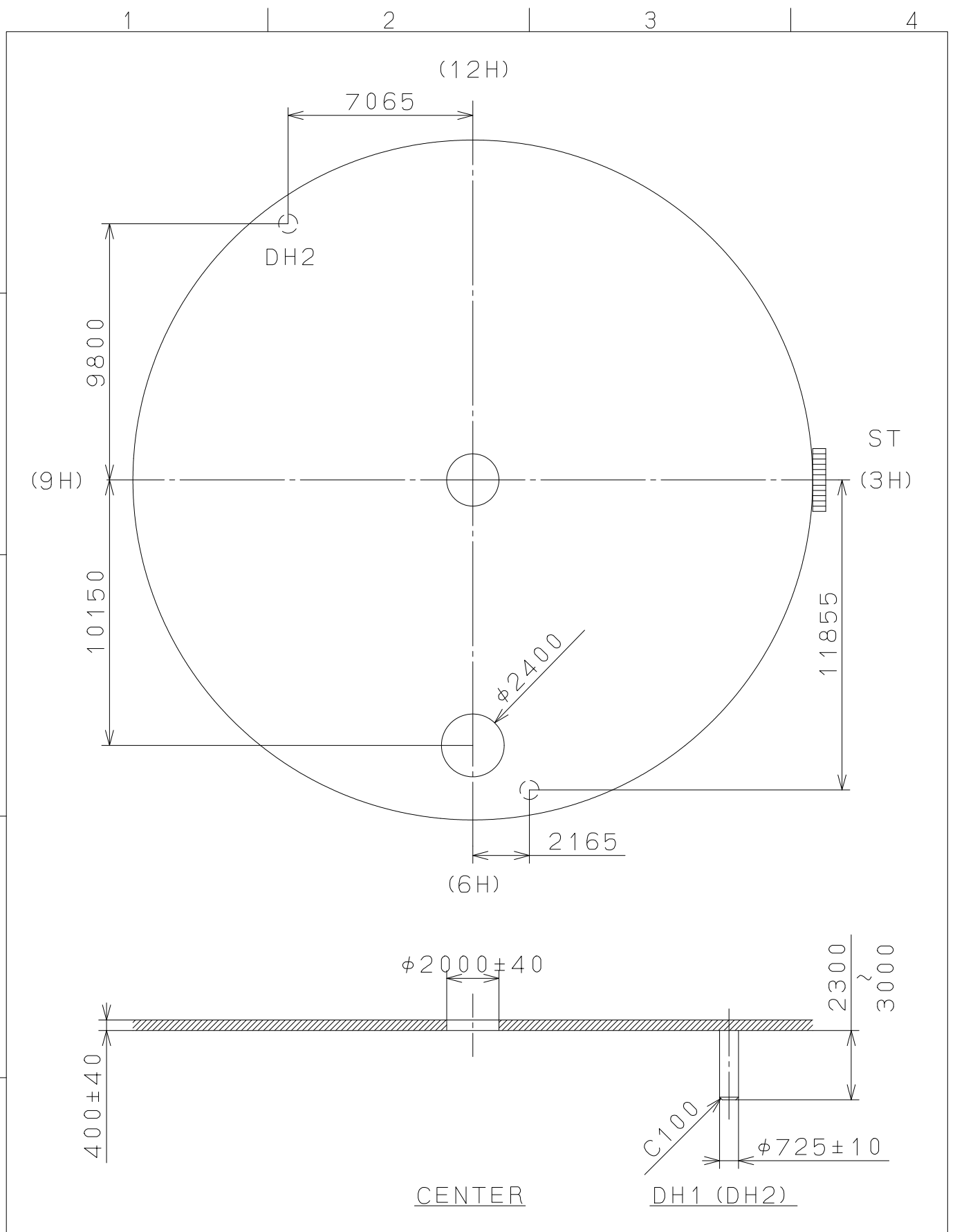
This drawing is provisional and subject to our reconfirmation and/or revision without notice.

*** T I P W 8215-1TH (01) *** (2100 1121) 04-03-16



△1			Quantity		Cal. No. : 8215-1TH
△2			Unit	1/1000 mm	Parts:
△3			Scale	5:1	
△4			Date		
△5			Drawn		Name:
△6			Checked	M. Fukuda	Indications for Dial
△7			Approved		Drawing No. : 8215D010
Material			General Tolerances		 CITIZEN WATCH CO., LTD.
Heat Treatment			Dimensions		
Hardness			Angles		
Plating					

This drawing is provisional and subject to our reconfirmation and/or revision without notice.



△			Quantity		Cal.NO.:
△			Unit	1 / 1000 mm	8215-1TH
△			Scale	5 : 1	Parts No.:
△			Date		
△			Drawn		
Mark	Date	Description	Appro.	Checked	Name:
		Alterations	Approved	M. Kobayashi	Indications for Dial
Material					Drawing No.: 8215D030
Heat Treatment			General Tolerances		
Hardness			Dimensions		
Plating			Angles		
				CITIZEN WATCH CO., LTD. TOKYO, JAPAN	