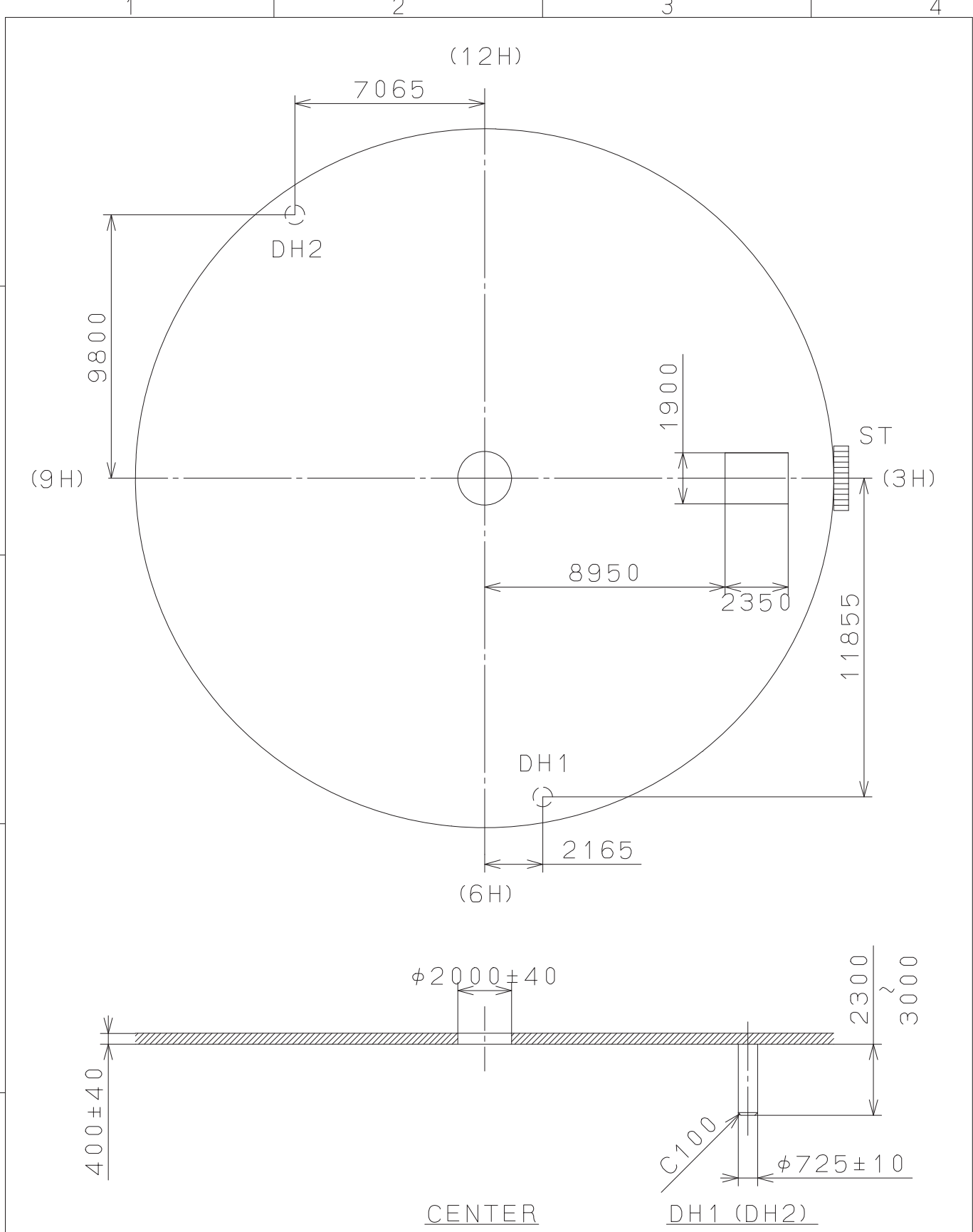


CONFIDENTIAL 2015/08/18 (15:04:55)

This drawing is provisional and subject to our reconfirmation and/or revision without notice.



△5			Quantity		Cal. NO.: 8215 (3H)
△4			Unit	1 / 1000 mm	
△3			Scale	5 : 1	Parts No.:
△2			Date		
△1			Drawn		
Mark	Date	Description	Appr.	Checked	M. Kobayashi
Alterations			Approved	Name:	
Material					Indications for Dial
Heat Treatment					Drawing No.: 821AD000
Hardness			General Tolerances		MIYOTA
Plating			Dimensions		
			Angles		
CITIZEN WATCH CO., LTD. TOKYO, JAPAN					