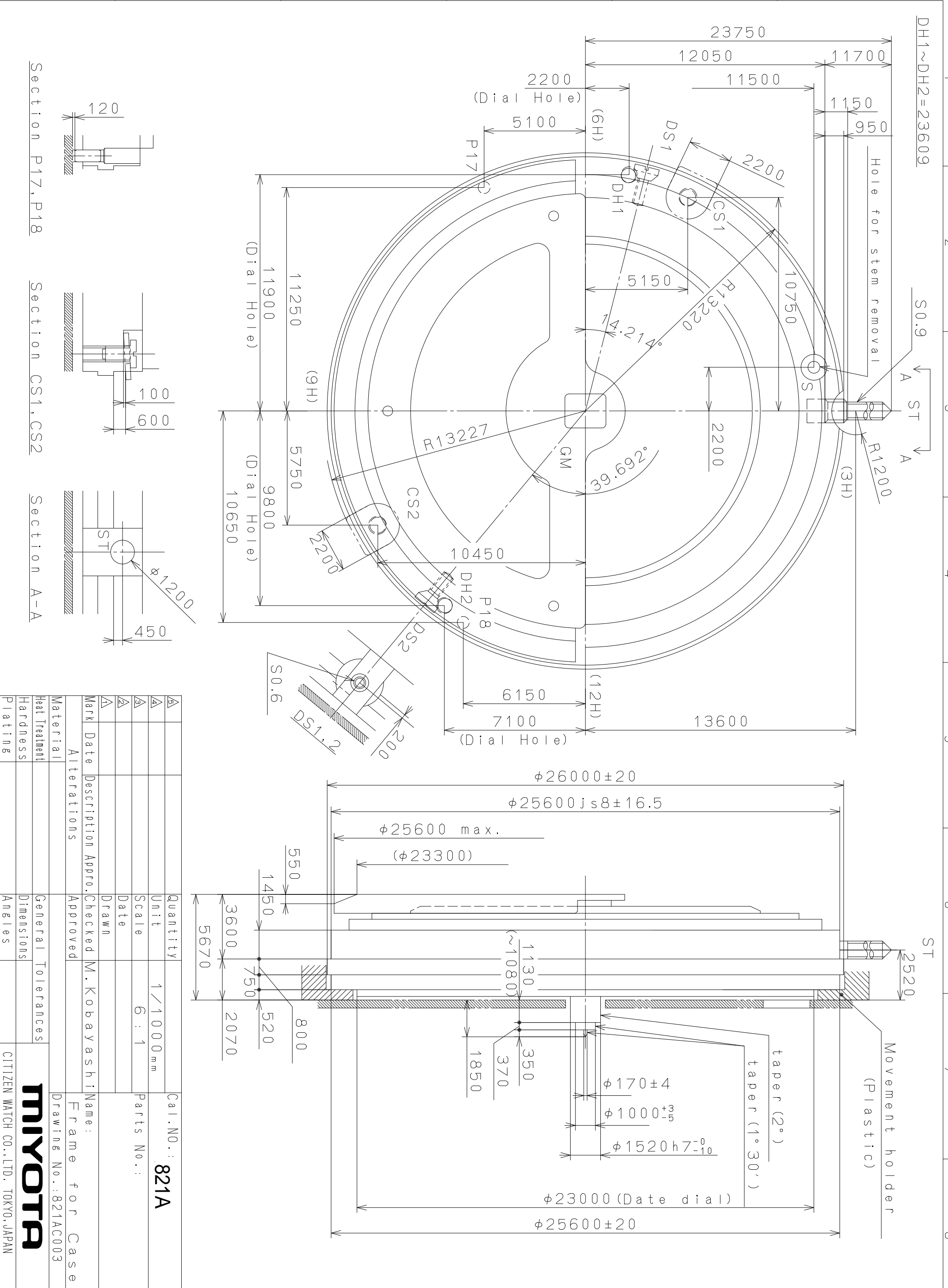
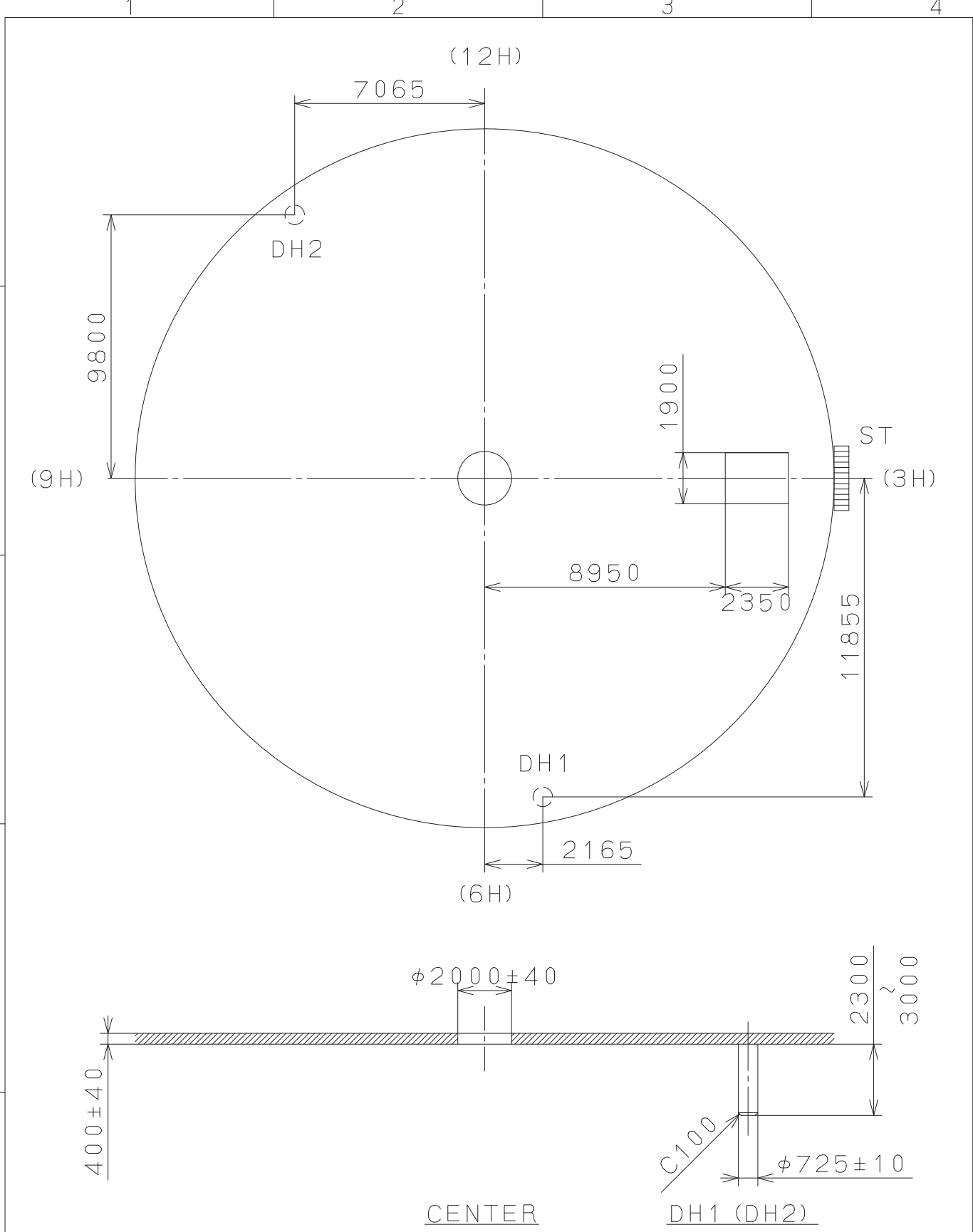


This drawing is provisional and subject to our reconfirmation and/or revision without notice.



Material	Alterations	Quantity	Unit	Cal. NO.:
Heat Treatment	Description	1	1/1000 mm	8211A
Hardness	Apporo.	Scale	6 : 1	Parts No.:
Plating	Checked	Date		
	Drawn			
	Approved			
	M. Kobayashi			Name:
				Frame for Case
				Drawing No.: 821AC003
				<b>MIYOTA</b>
				CITIZEN WATCH CO., LTD. TOKYO, JAPAN

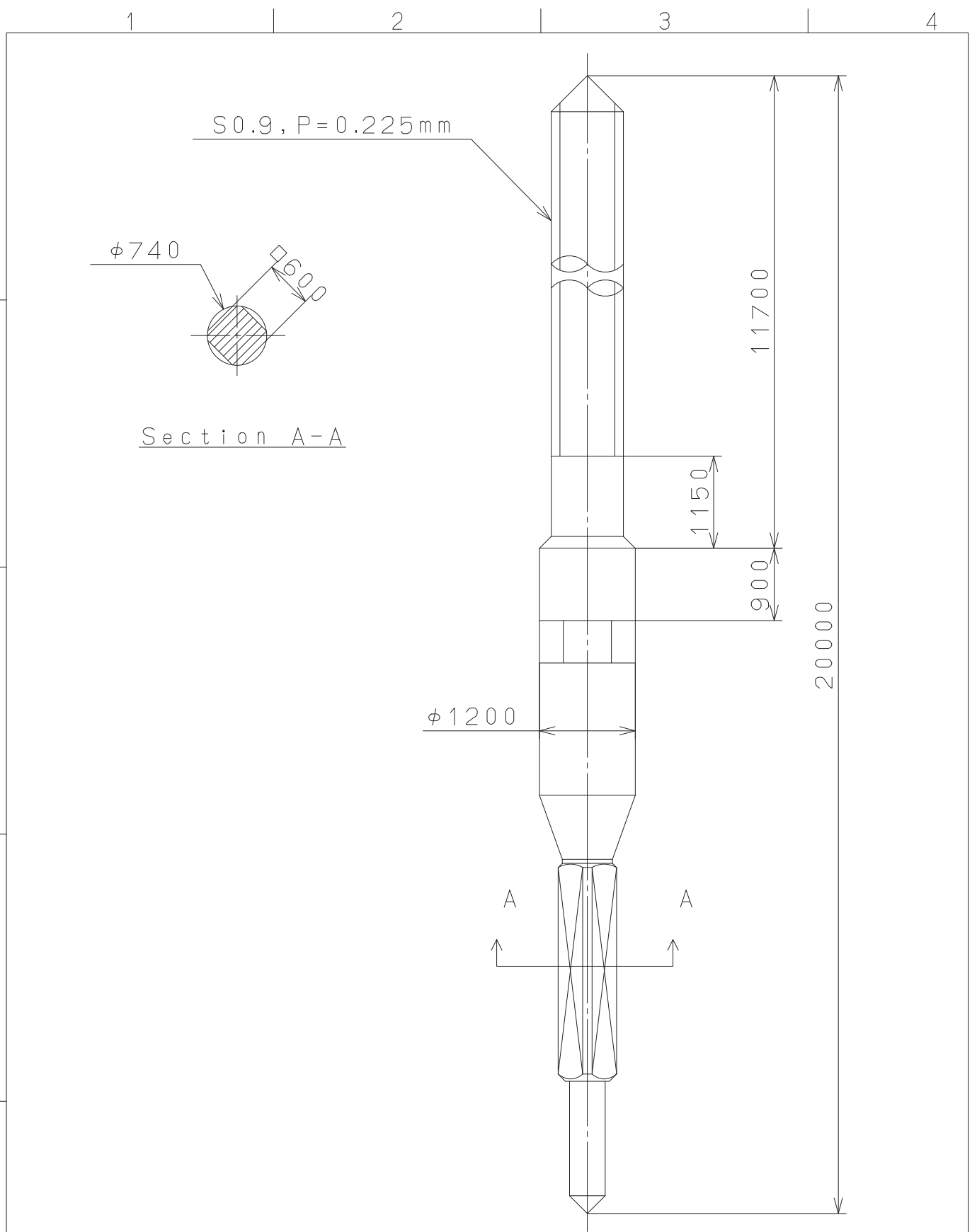
This drawing is provisional and subject to our reconfirmation and/or revision without notice.



△5			Quantity		Cal. NO.:	<b>821A-43A</b>
△4			Unit	1 / 1000 mm		
△3			Scale	5 : 1	Parts No.:	
△2			Date			
△1			Drawn			
Mark	Date	Description	Appr.	Checked	M. Kobayashi	Name:
Alterations			Approved			Indications for Dial
Material					Drawing No.: 821AD000	
Heat Treatment						
Hardness						
Plating						
					CITIZEN WATCH CO., LTD. TOKYO, JAPAN	

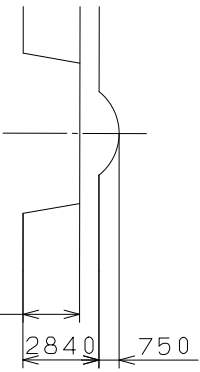
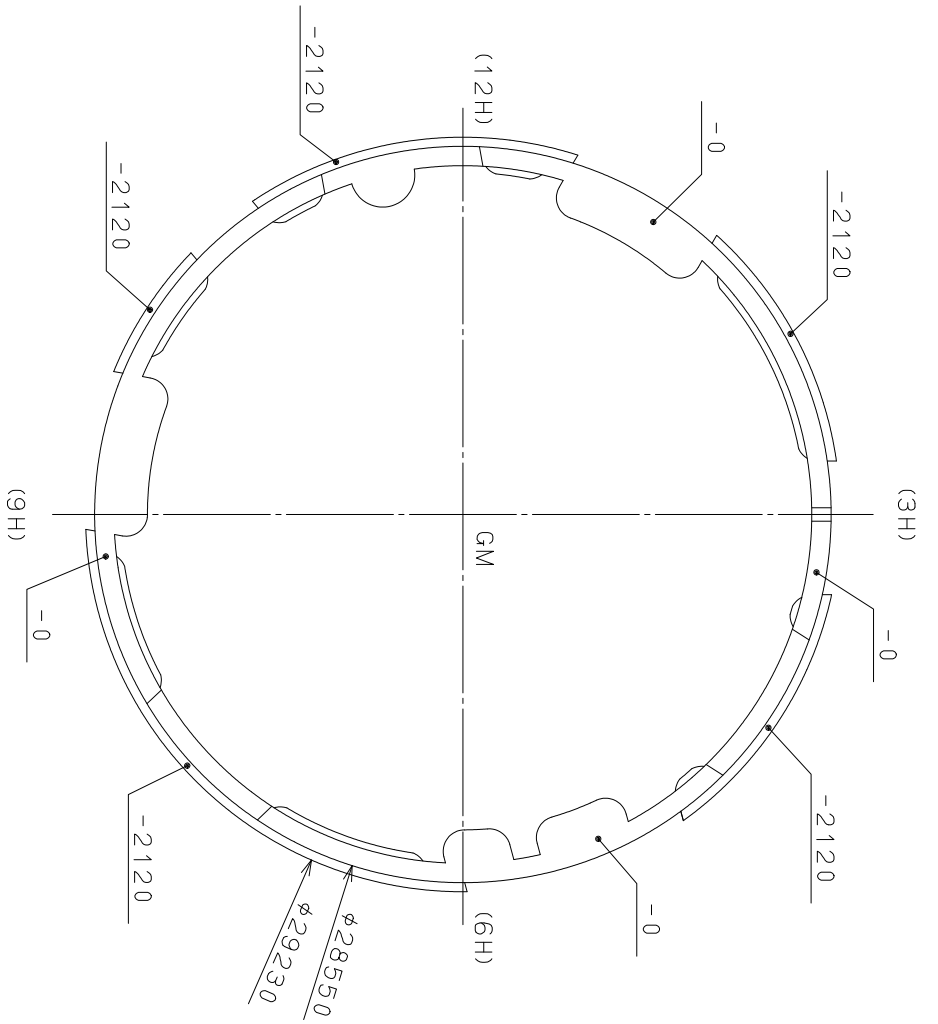
2008/11/14 (11:30:42)

This drawing is provisional and subject to our reconfirmation and/or revision without notice.

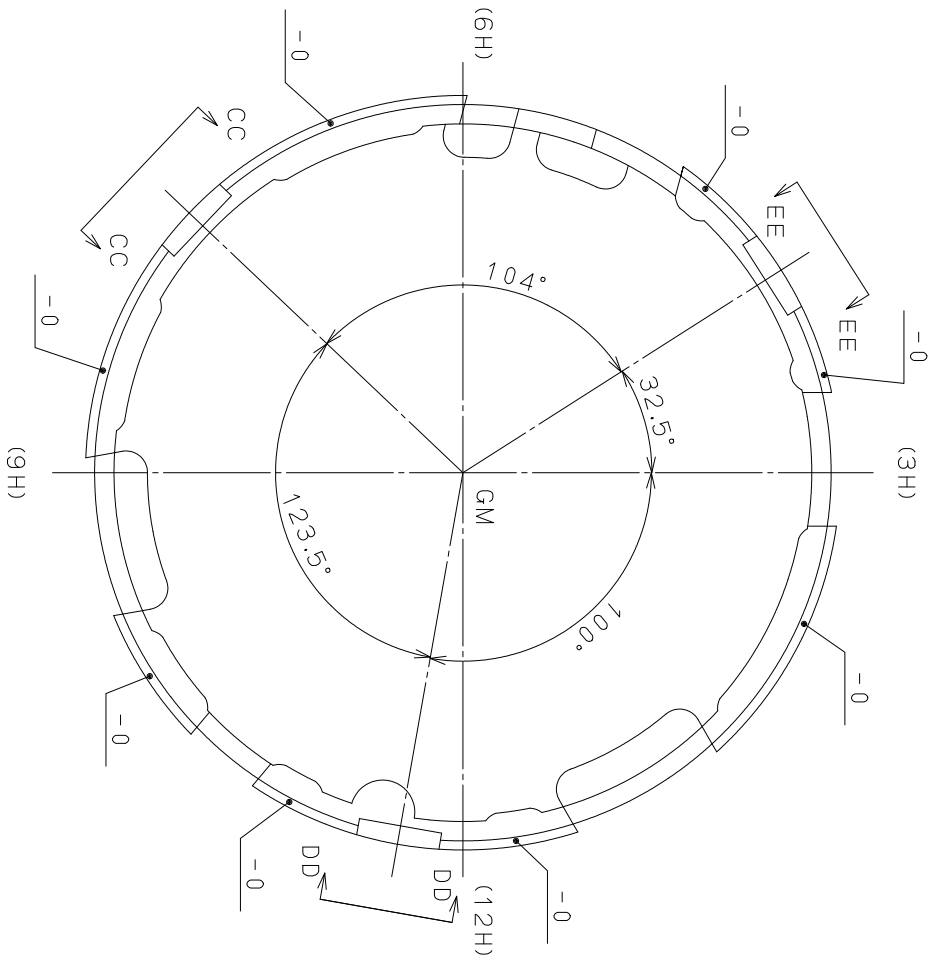


⑤			Quantity		Cal.NO.:
④			Unit	1/1000mm	
③			Scale	15:1	Parts No.:
②			Date		065-212
①			Drawn		
Mark	Date	Description	Appr.	Checked	Name:
		Alterations		Approved	SETTING STEM
Material					Drawing No.:2120S001
Heat Treatment				General Tolerances	<b>MIYOTA</b>
Hardness				Dimensions	
Plating				Angles	
					CITIZEN WATCH CO.,LTD. TOKYO,JAPAN

This drawing is provisional and subject to our reconfirmation and/or revision without notice.



View CC-CC  
DD-DD, EE-EE



△	Quantity	1/1000 mm	Call. NO.:
△	Unit	5 : 1	Parts No.:
△	Scale	500-710	Drawn
△	Date		Checked
△	Mark		Approved
△	Date		Checked
△	Description		Checked
△	Appro. Name	N. Suzuki	Checked
△	Alterations		Approved
△	Material		Caseing Holder
△	Heat Treatment		Drawing No.: 8200E003
△	Hardness		
△	Plating		
	General Tolerances		
	Dimensions		
	Angles		

**MIYOTA**

CITIZEN WATCH CO., LTD. TOKYO, JAPAN