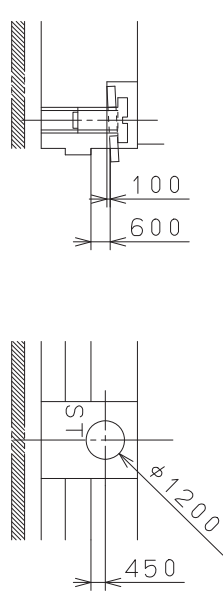
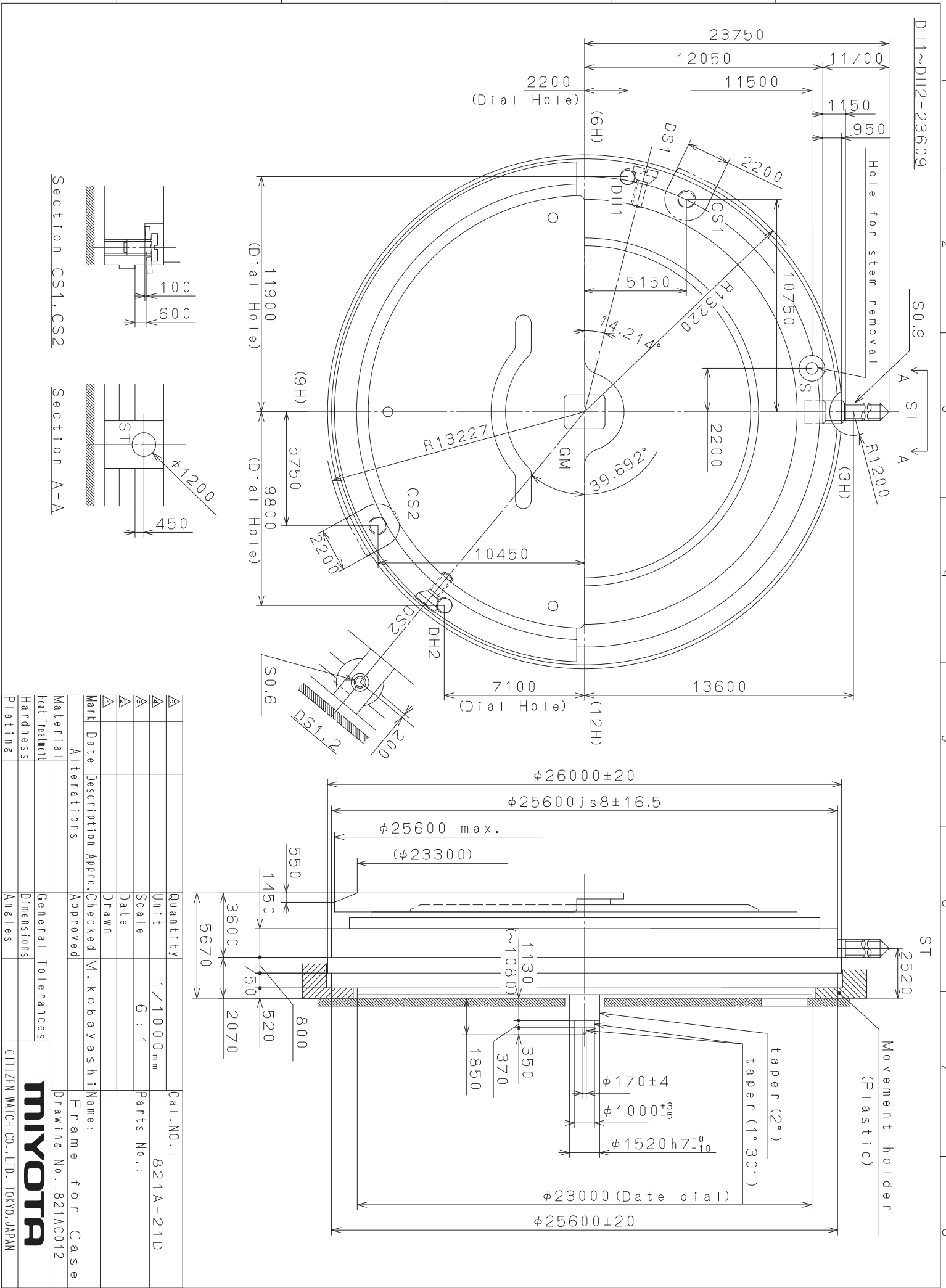


△	Quantity	Cal. NO.:
△	Unit	821A-21C
△	Scale	Parts No.:
△	Date	
△	Drawn	
△	Checked	
△	Approved	

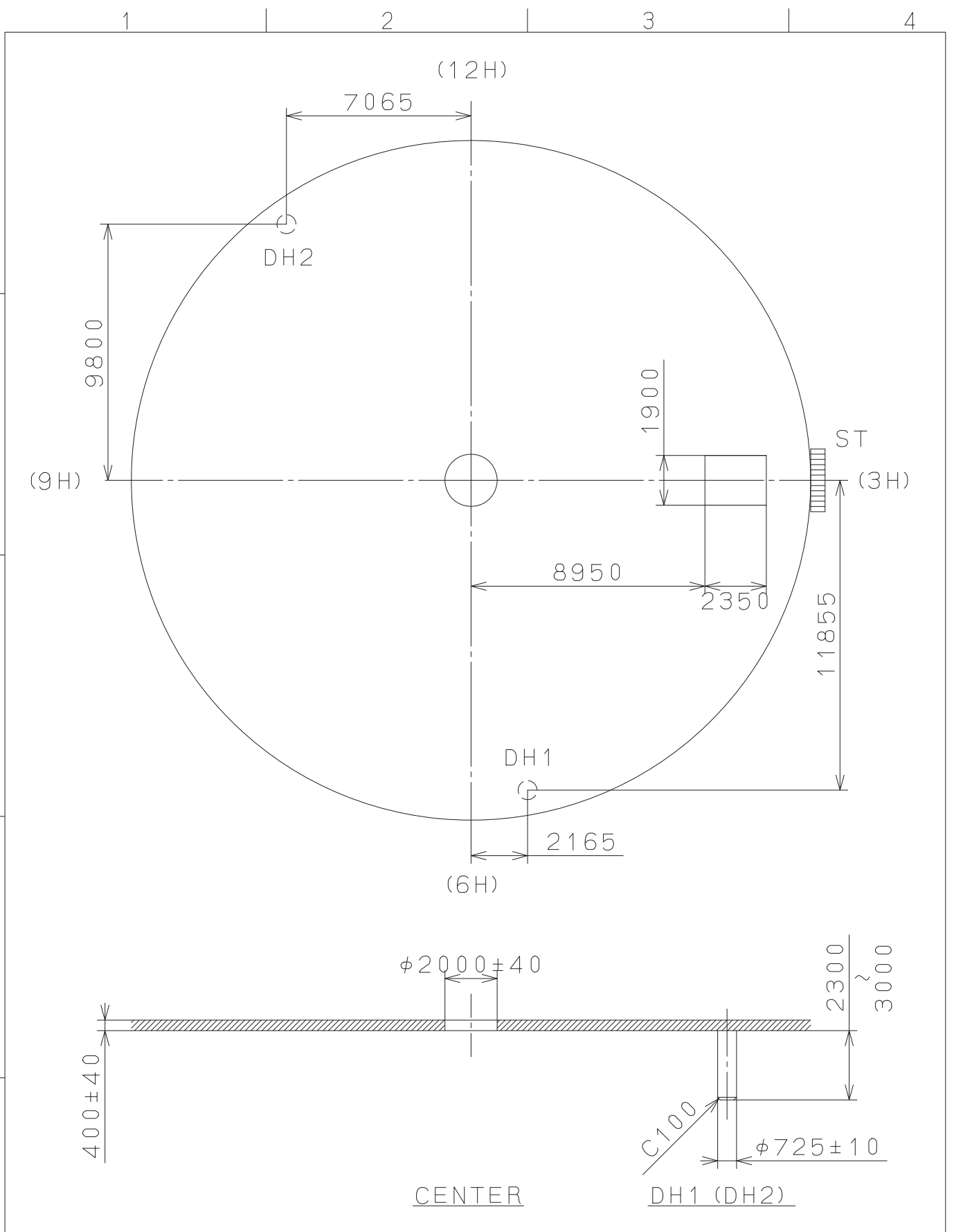
Material	Alterations	Mark Date	Description	Appr.	Checked	M. Kobayashi	Name:
Heat Treatment							Frame for Case
Hardness							Drawing No.: 821AC002
Plating							

General Tolerances	
Dimensions	
Angles	



Material	Alterations	Quantity	Unit	Cal. NO.:
Heat Treatment	Description	1	1/1000 mm	821A-21D
Hardness	Checked	Scale	6 : 1	Parts No.:
Plating	Drawn	Date		
	Approved	Mark Date Description Appr. Checked M. Kobayashi Name: Frame for Case		
		Drawing No.: 821AC012		
		General Tolerances		
		Dimensions		
		Angles		
<b>MIYOTA</b>				
CITIZEN WATCH CO., LTD. TOKYO, JAPAN				

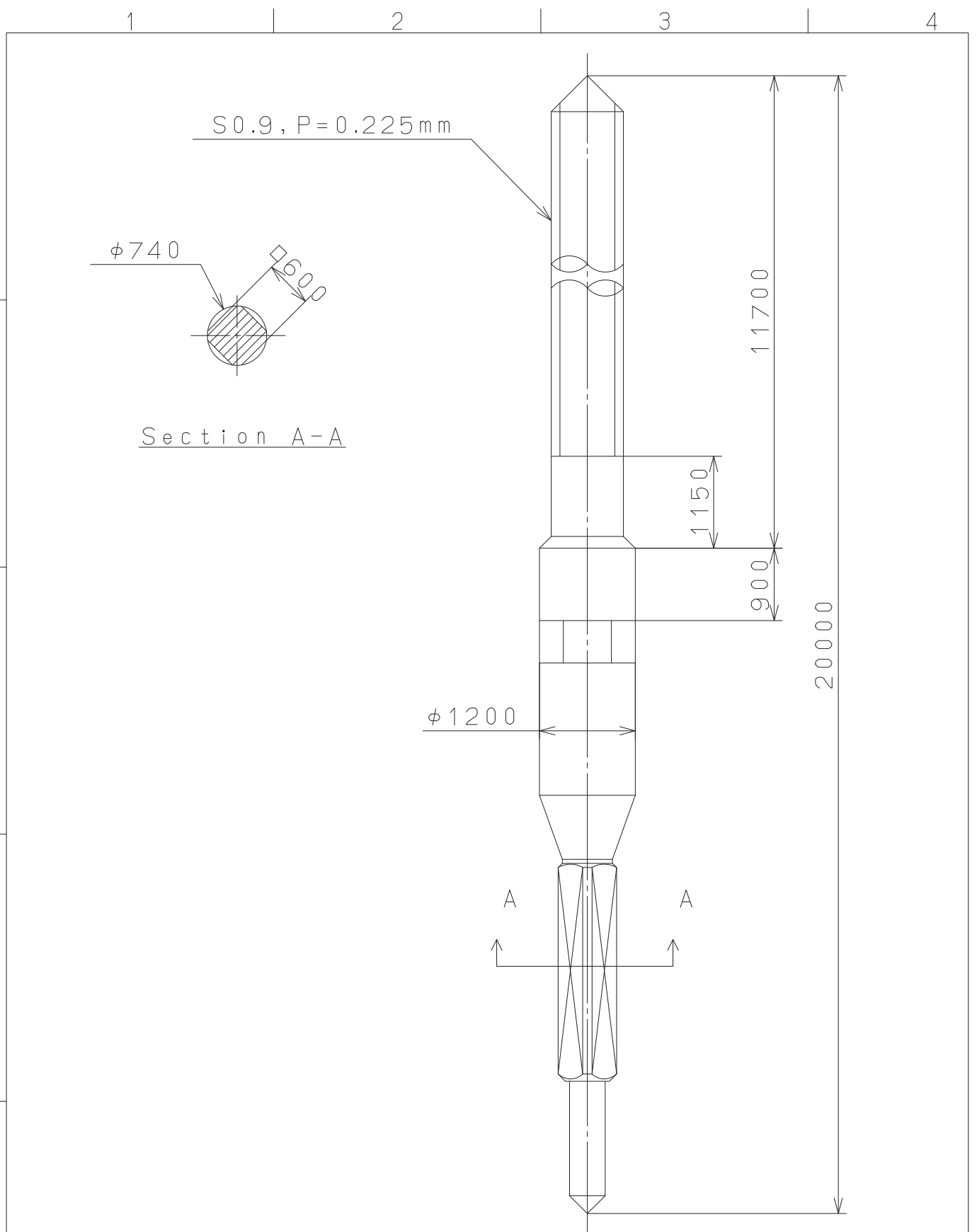
This drawing is provisional and subject to our reconfirmation and/or revision without notice.



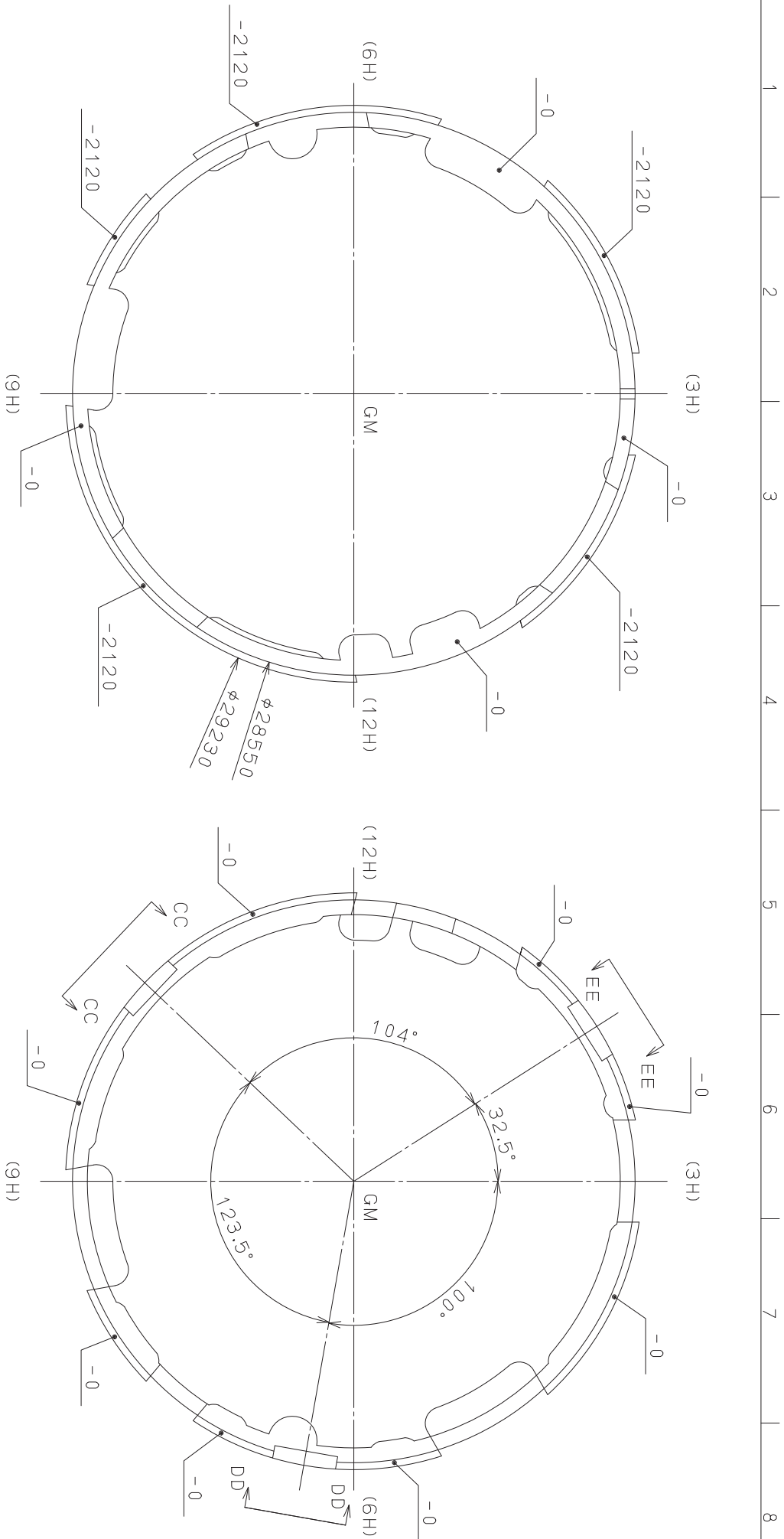
△5			Quantity		Cal.NO.:
△4			Unit	1 / 1000 mm	821A
△3			Scale	5 : 1	Parts No.:
△2			Date		
△1			Drawn		
Mark	Date	Description	Appr.	Checked	M. Kobayashi
Alterations			Approved	Name:	
Material			Indications for Dial		
Heat Treatment			Drawing No.: 821AD000		
Hardness			<b>MIYOTA</b> CITIZEN WATCH CO., LTD. TOKYO, JAPAN		
Plating					

2008/11/14 (11:30:42)

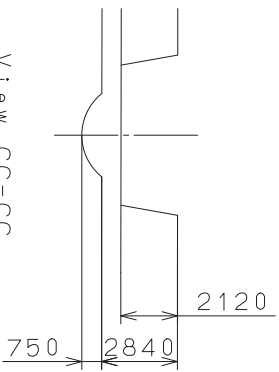
This drawing is provisional and subject to our reconfirmation and/or revision without notice.



⑤			Quantity		Cal.NO.:
④			Unit	1/1000mm	
③			Scale	15:1	Parts No.:
②			Date		065-212
①			Drawn		
Mark	Date	Description	Appr.	Checked	Name:
		Alterations		Approved	SETTING STEM
Material					Drawing No.:2120S001
Heat Treatment				General Tolerances	<b>MIYOTA</b>
Hardness				Dimensions	
Plating				Angles	
					CITIZEN WATCH CO.,LTD. TOKYO,JAPAN



View CC-CC  
DD-DD, EE-EE



△	Quantity	Cal. No.:
△	Unit	1/1000 mm
△	Scale	5 : 1
△	Date	Parts No.:
△	Drawn	500-710
Mark	Date	Name:
	Description	Casing Holder
	Appr. Checked	N. Suzuki
Alterations	Approved	Drawing No.: 8200E002
Material	General Tolerances	<b>MIYOTA</b>
Heat Treatment	Dimensions	
Hardness	Angles	
Plating		
CITIZEN WATCH CO., LTD. TOKYO, JAPAN		