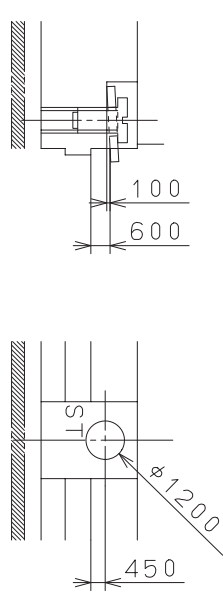
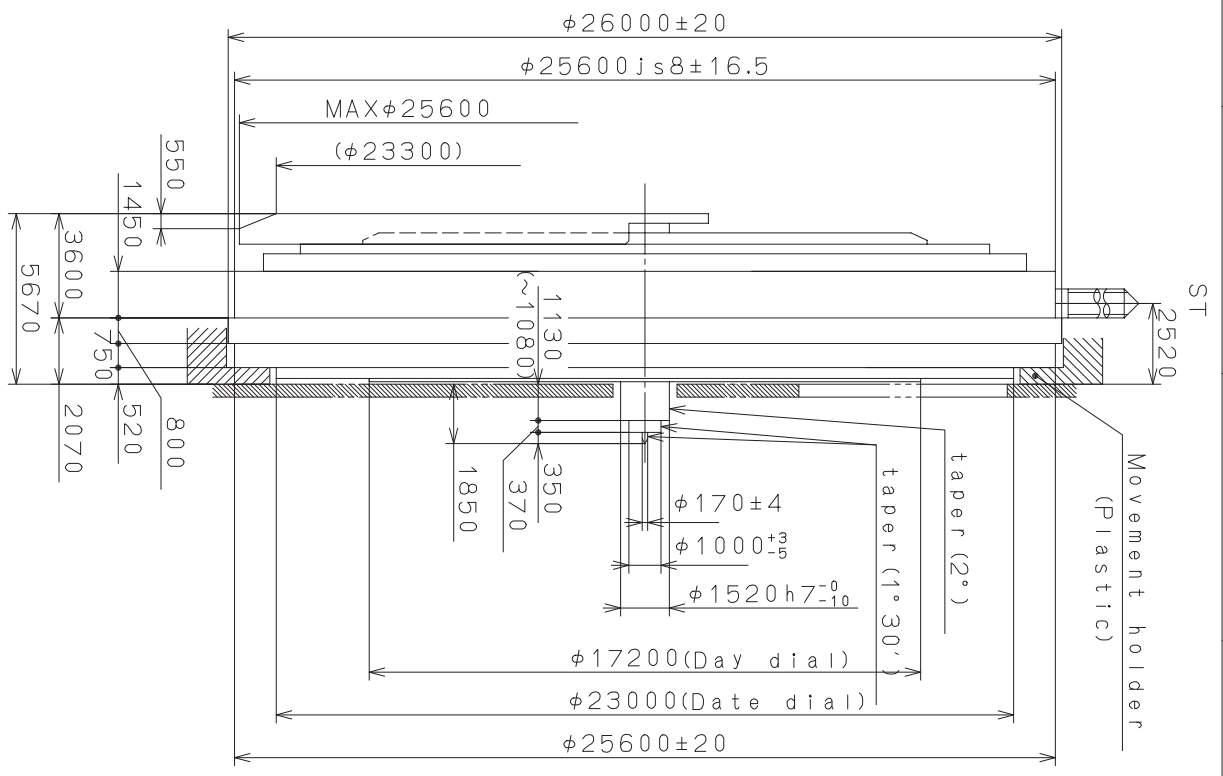
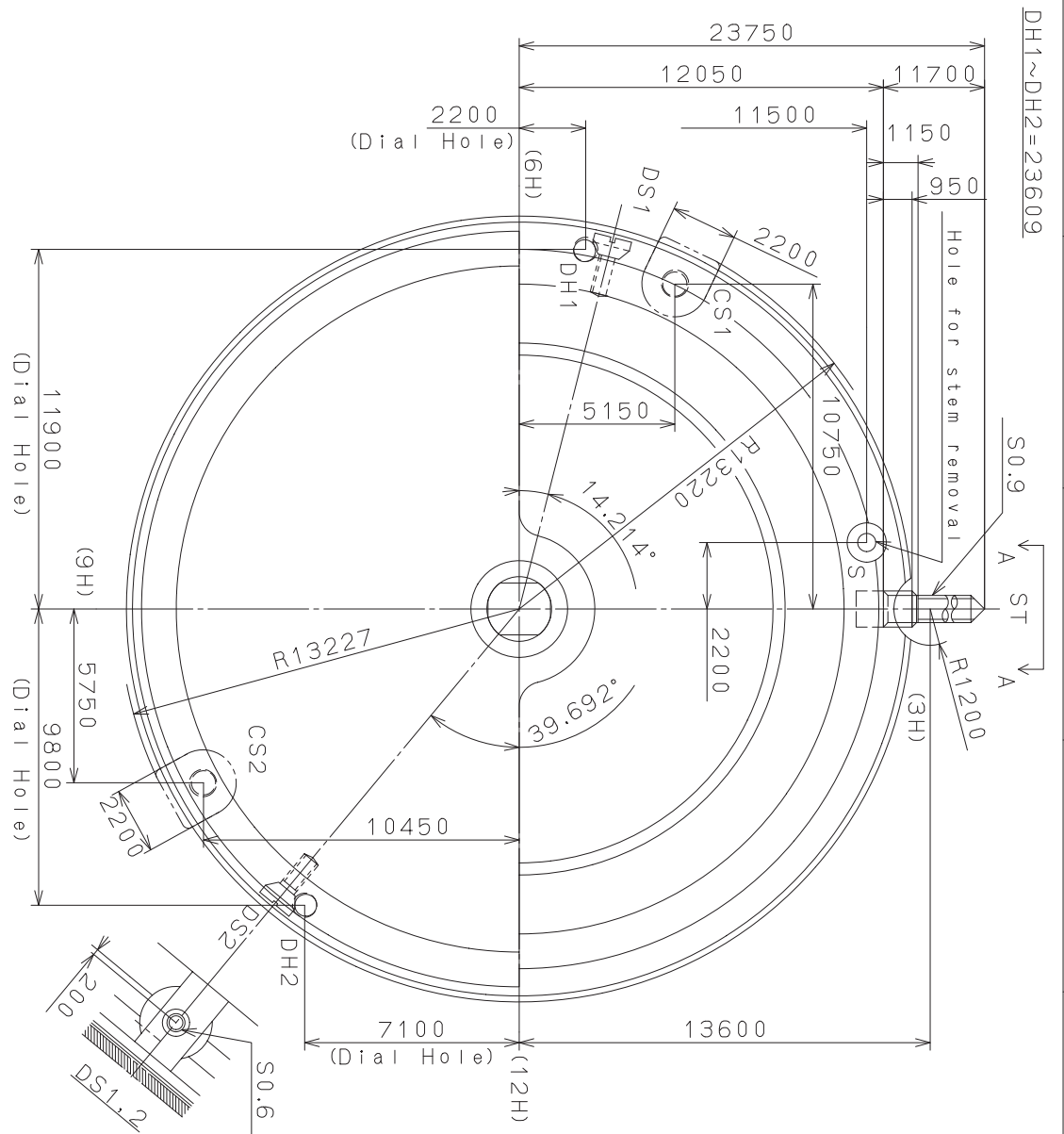


This drawing is provisional and subject to our reconfirmation and/or revision without notice.

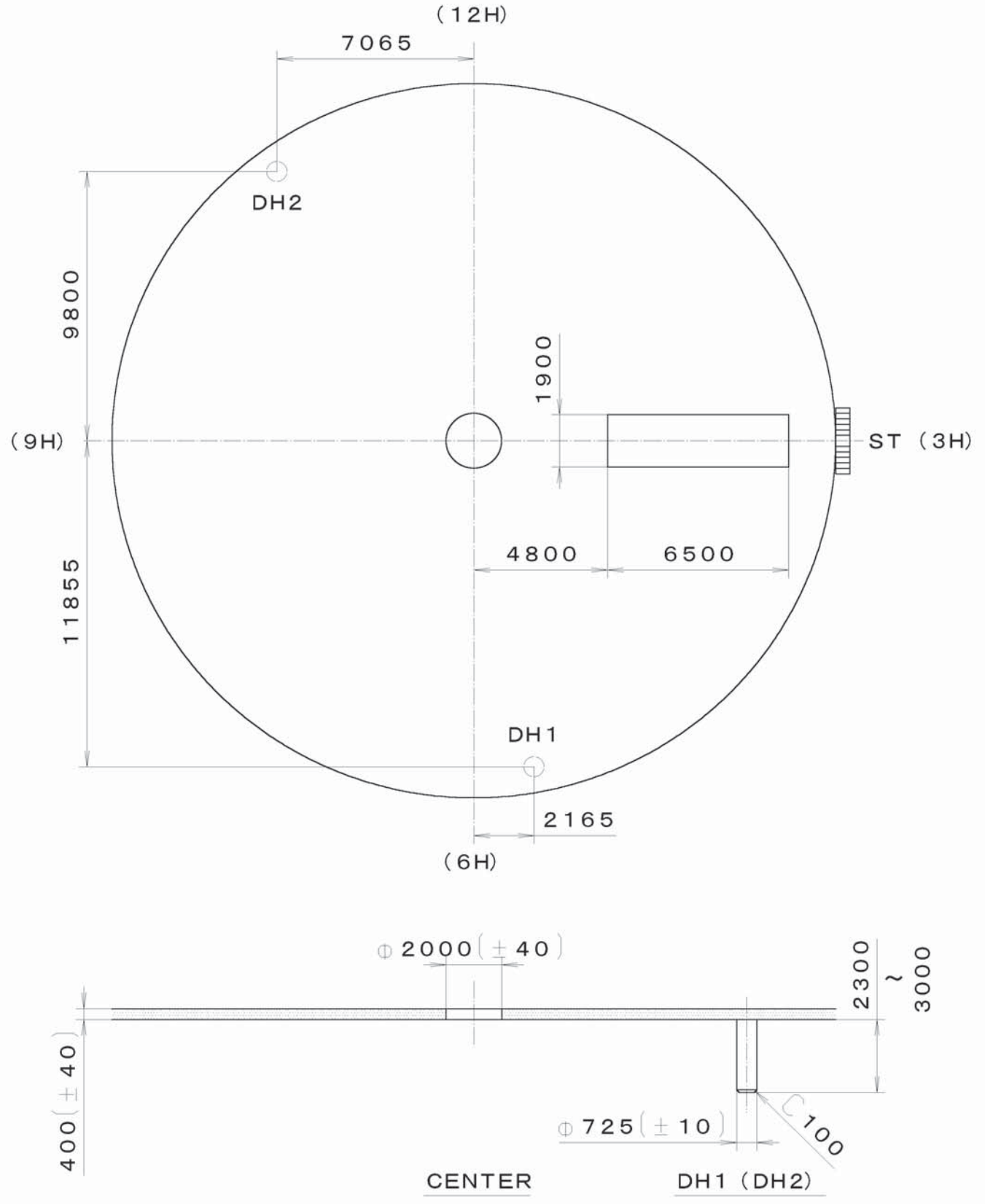


△	Quantity	Cal. NO.:
△	Unit	8205
△	Scale	Parts No.:
△	Date	
△	Drawn	
△	Checked	
△	Approved	
Material	Alterations	
Heat Treatment	Description	
Hardness	Appr. N. Suzuki	
Plating	Checked	
	Approved	
	Name:	
	Frame for Case	
	Drawing No.: 8205C012	
	General Tolerances	
	Dimensions	
	Angles	
	CITIZEN WATCH CO., LTD. TOKYO, JAPAN	

MIYOTA

This drawing is provisional and subject to our reconfirmation and/or revision without notice.

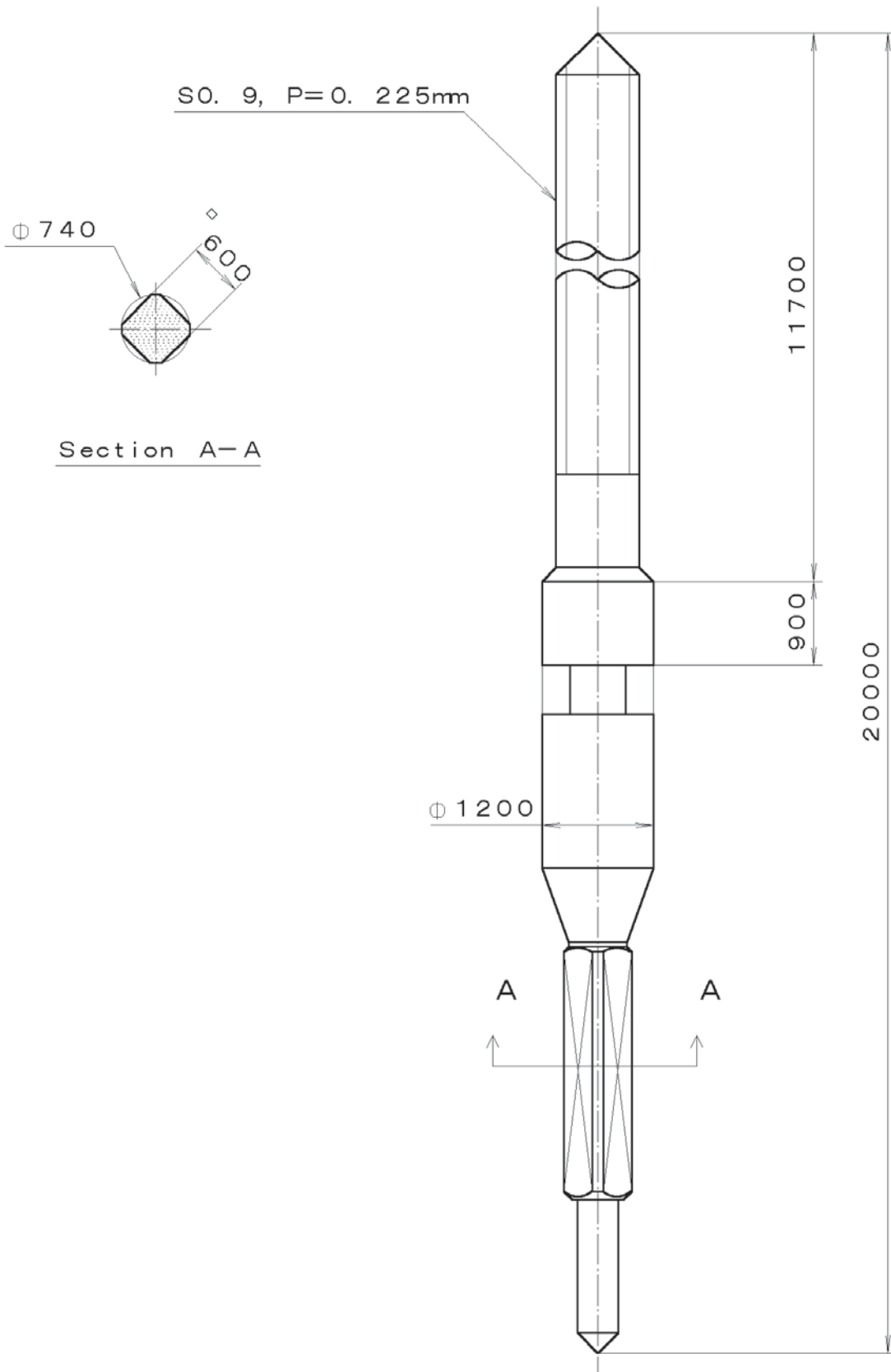
*** TIPW 8205-AEB (01) *** (2100 1121) 02-03-11



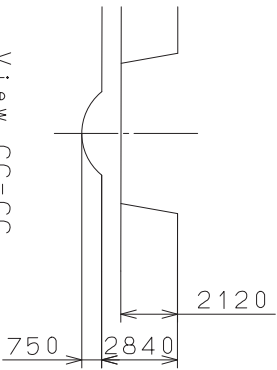
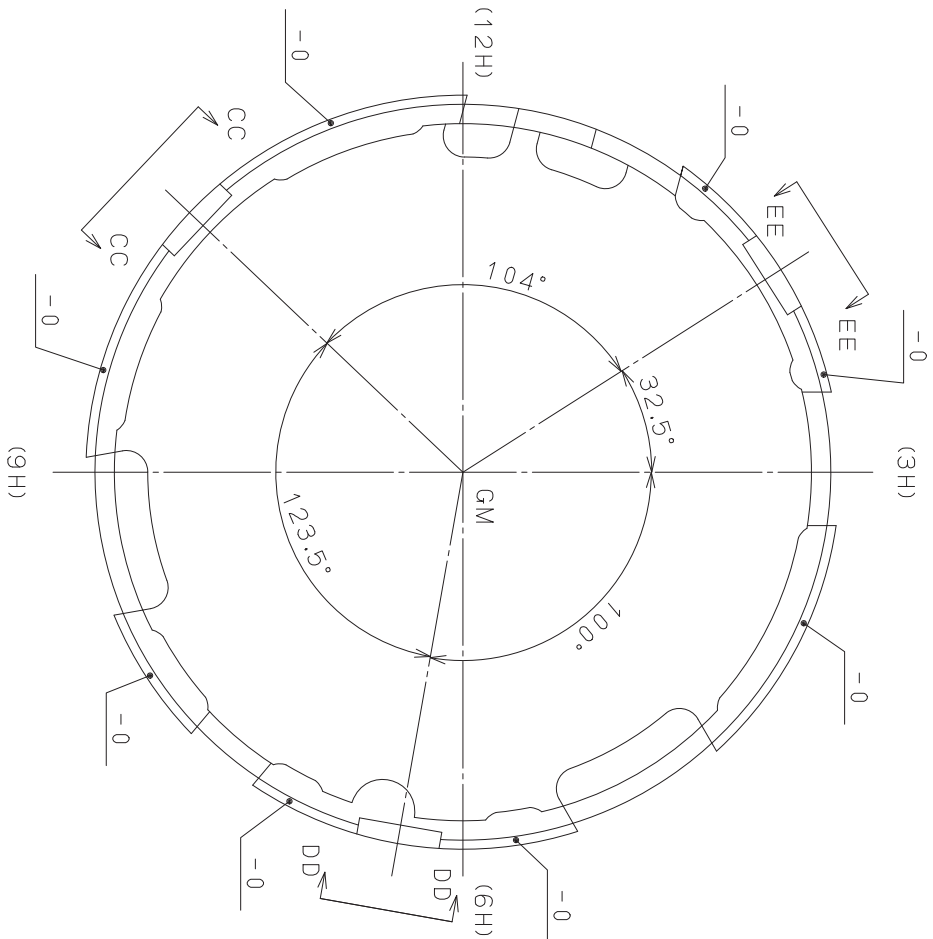
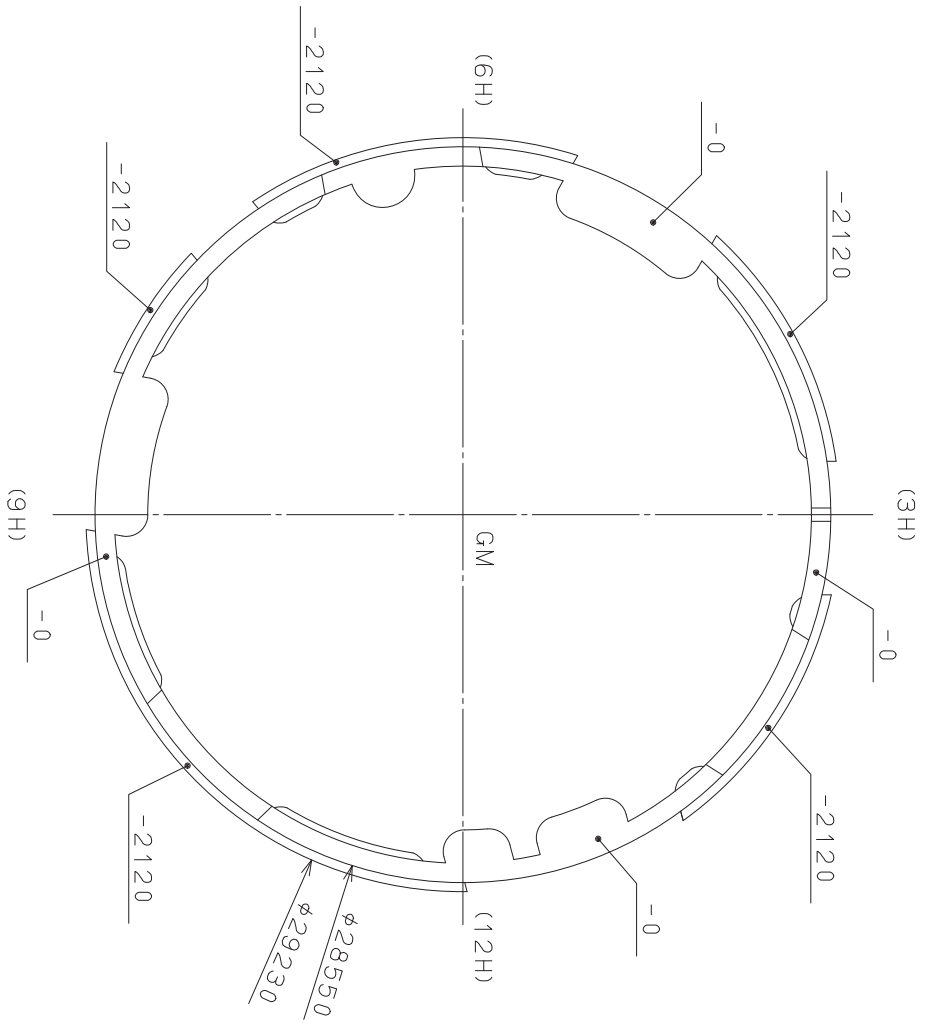
△		Quantity		Cal. No. : 8205-AEB
△		Unit	1/1000 mm	Parts:
△		Scale	5:1	
△		Date		Name : Indications for Dial
△		Drawn		
△		Checked	T. Hiruta	
△		Approved		Drawing No. : 8205D001
Material				MIYOTA
Heat Treatment		General Tolerances		
Hardness		Dimensions		
Plating		Angles		

This drawing is provisional and subject to our reconfirmation and/or revision without notice.

xxx T I P W (01) xxx (2100 1121) 00-09-18 065-212



7		Quantity		Cal. No. :
6		Unit	1/1000 mm	Parts:
5		Scale	15:1	
4		Date		065-212
3		Drawn		
2		Checked	T. Hiruta	Name :
1		Approved		SETTING STEM
Material				Drawing No. : 2120S000
Heat Treatment		General Tolerances		MIYOTA
Hardness		Dimensions		
Plating		Angles		



View CC-CC
DD-DD, EE-EE

△	Quantity	1/1000 mm	Cal. No.:
△	Unit	5 : 1	Parts No.:
△	Scale	500-710	Name:
△	Date		Casing Holder
△	Date		Drawing No.: 8200E002
△	Drawn		
Mark	Date	Description	Appr. Checked
Alterations	Approved	N. Suzuki	
Material	General Tolerances		
Heat Treatment	Dimensions		
Hardness	Angles		
Plating	CITIZEN WATCH CO., LTD. TOKYO, JAPAN		

MIYOTA