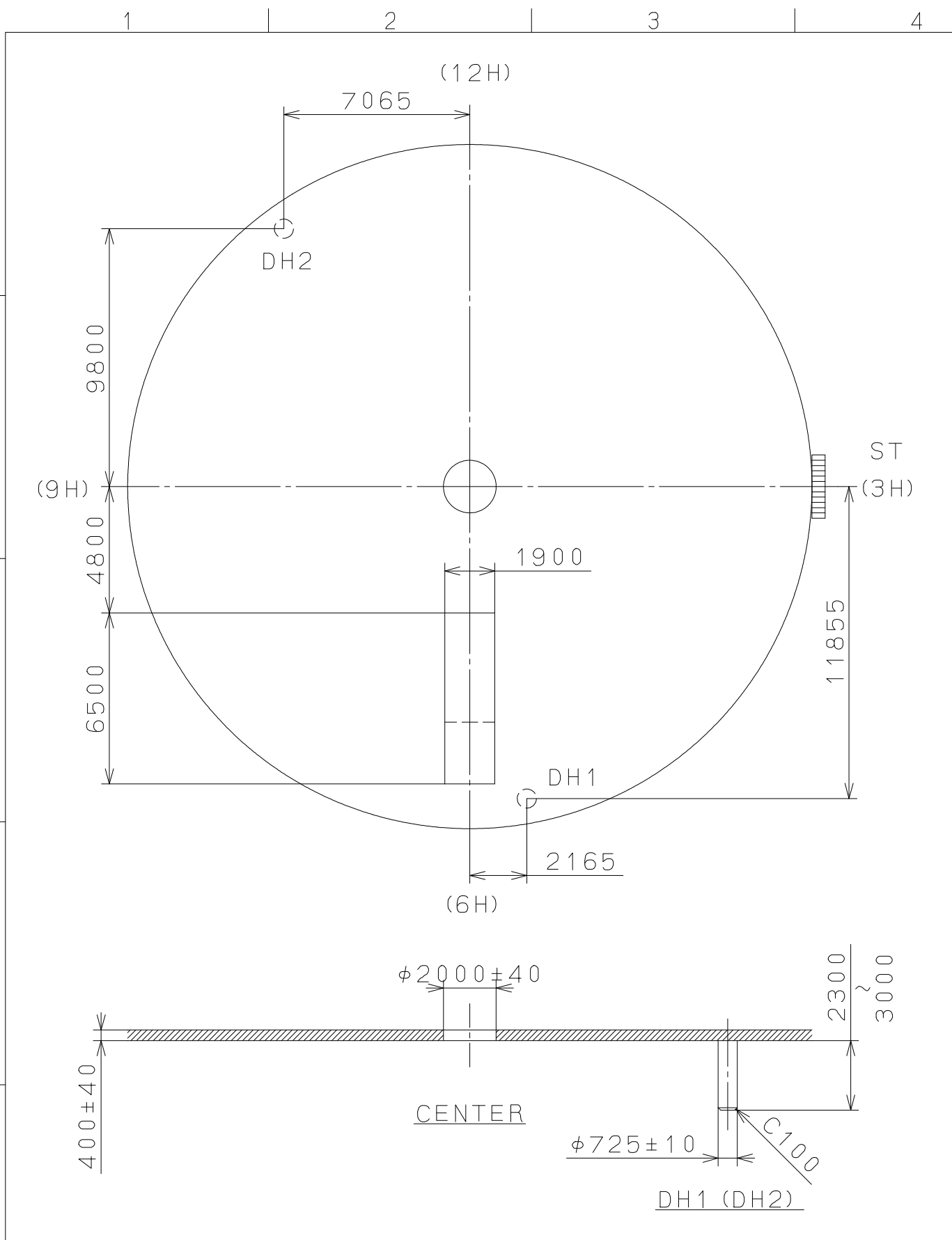


2006/01/06 (10:57:01)

This drawing is provisional and subject to our reconfirmation and/or revision without notice.



△5			Quantity		Cal. NO. <b>8205 (6H)</b>
△4			Unit	1 / 1000 mm	
△3			Scale	5 / 1	Parts No.:
△2			Date		
△1			Drawn		
Mark	Date	Description	Appr.	Checked	M. Fukuda
Alterations			Approved	Name:	
Material					Indications for Dial
Heat Treatment					Drawing No.: 8205D020
Hardness	General Tolerances				<b>MIYOTA</b>
Plating	Dimensions				
Angles				CITIZEN WATCH CO., LTD. TOKYO, JAPAN	