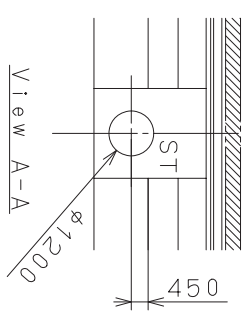
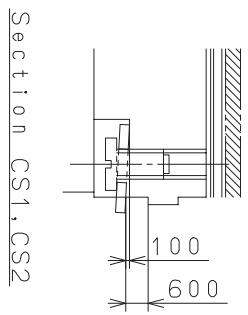
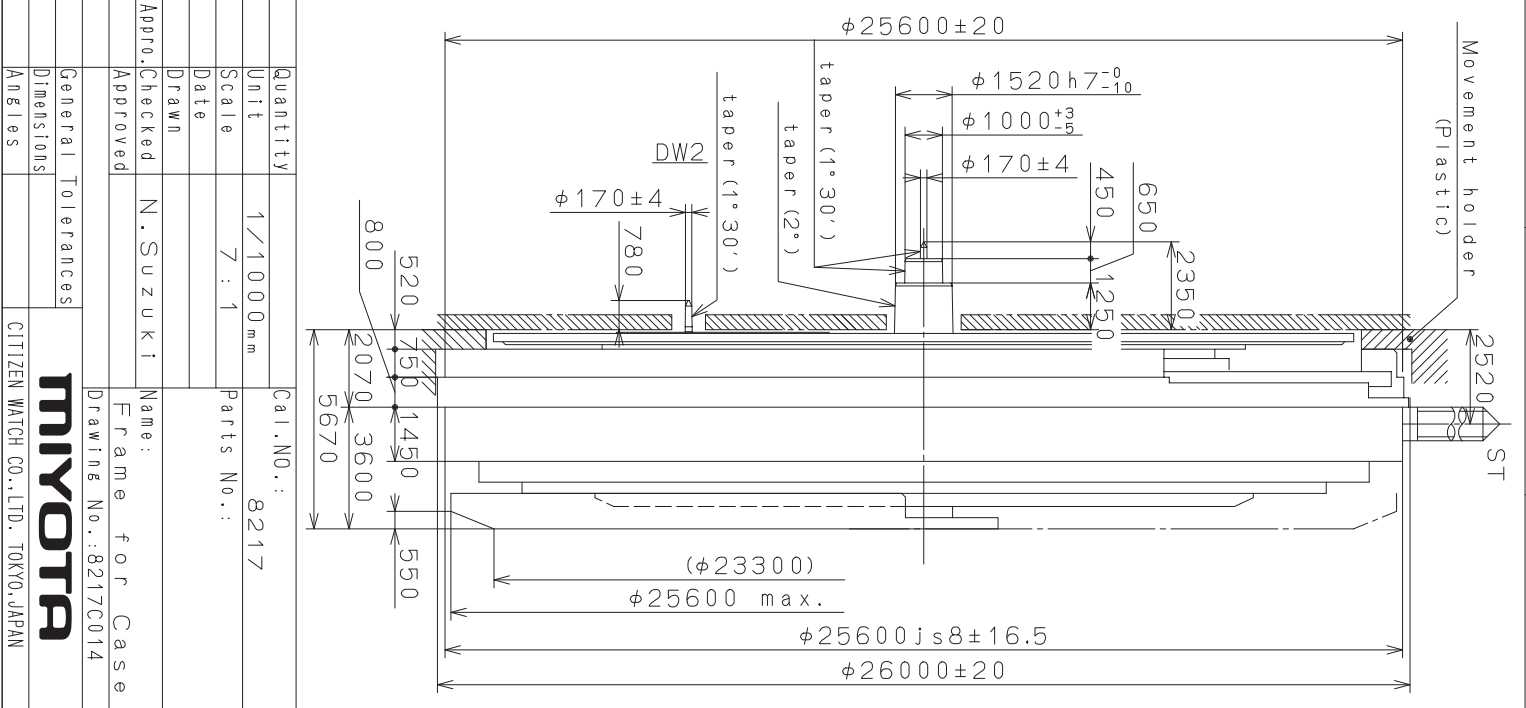
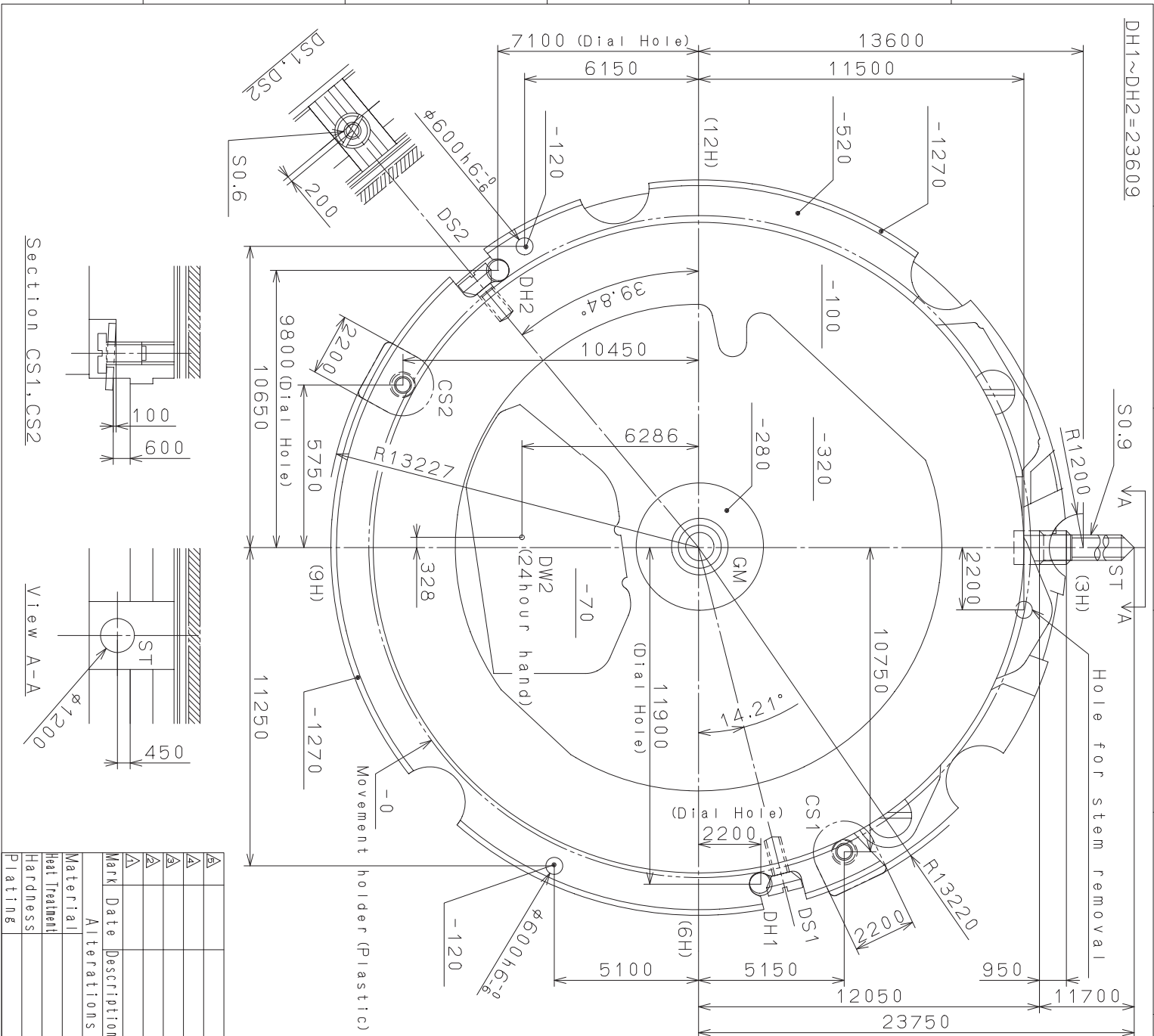


This drawing is provisional and subject to our reconfirmation and/or revision without notice.

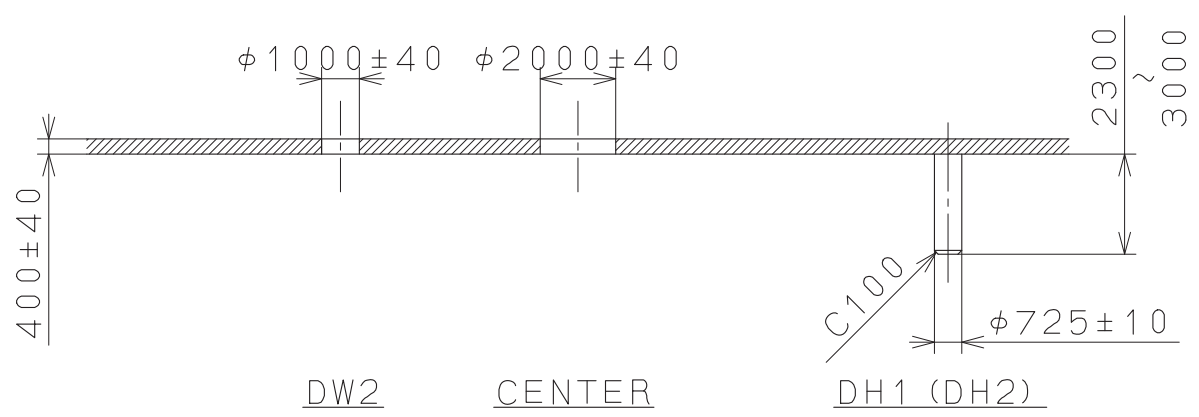
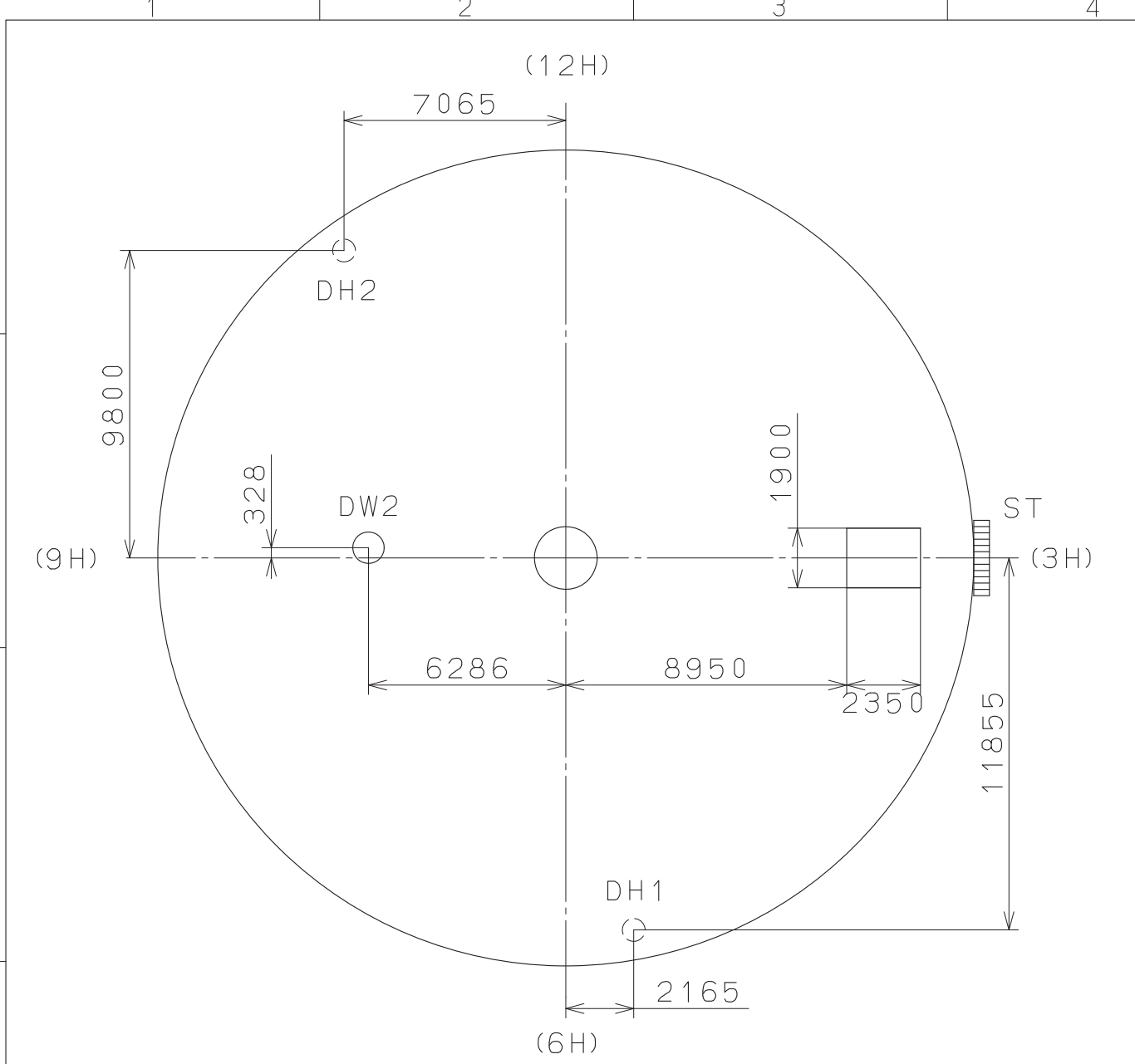


Material	Alterations	Mark	Date	Description	Appr.	Checked	N. Suzuki	Name:	Frame for Case
Material	Alterations	Mark	Date	Description	Appr.	Checked	N. Suzuki	Name:	Frame for Case
Heat Treatment	Alterations	Mark	Date	Description	Appr.	Checked	N. Suzuki	Name:	Frame for Case
Hardness	Alterations	Mark	Date	Description	Appr.	Checked	N. Suzuki	Name:	Frame for Case
Plating	Alterations	Mark	Date	Description	Appr.	Checked	N. Suzuki	Name:	Frame for Case
Quantity		Unit	1/1000 mm		Scale		7:1		Parts No.:
General Tolerances		Drawing No.: 8217C014							
Dimensions		Drawing No.: 8217C014							
Angles		Drawing No.: 8217C014							
Material		Drawing No.: 8217C014							
Heat Treatment		Drawing No.: 8217C014							
Hardness		Drawing No.: 8217C014							
Plating		Drawing No.: 8217C014							

Call. NO.: 8217  
 Parts No.:  
 Name: Frame for Case  
 Drawing No.: 8217C014  
**MIYOTA**  
 CITIZEN WATCH CO., LTD. TOKYO, JAPAN

2008/05/13 (14:05:02)

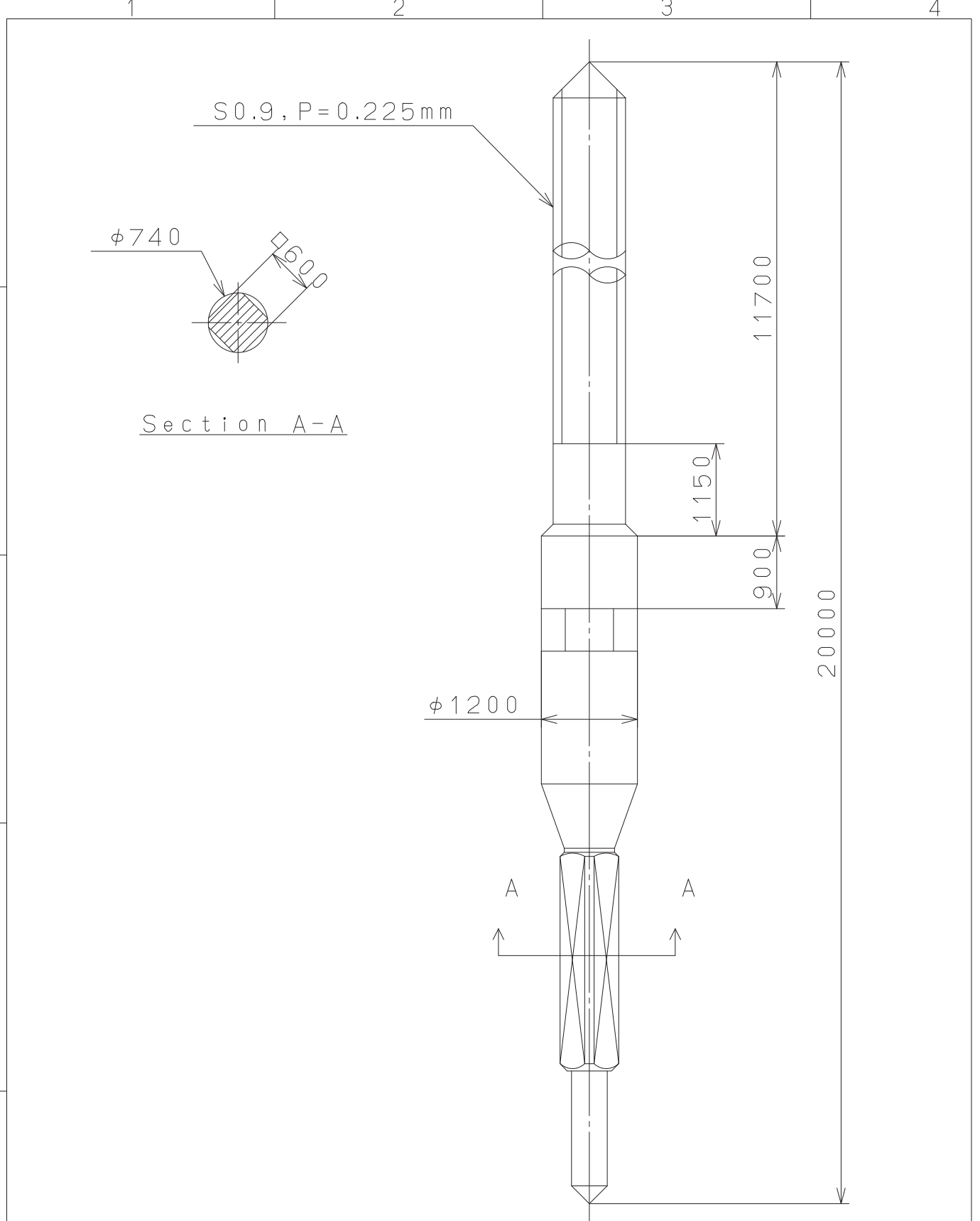
This drawing is provisional and subject to our reconfirmation and/or revision without notice.



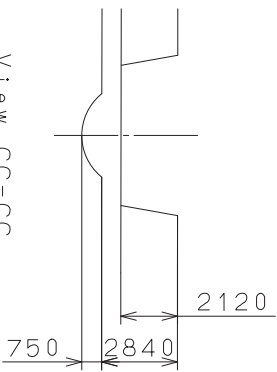
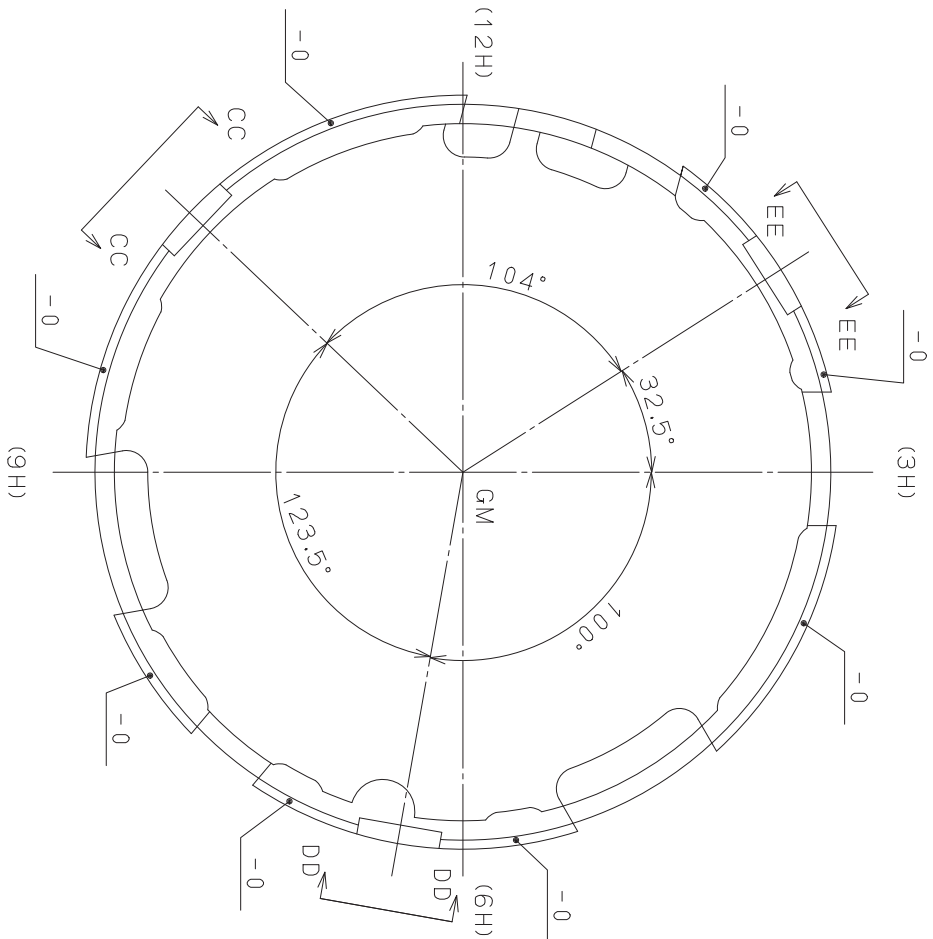
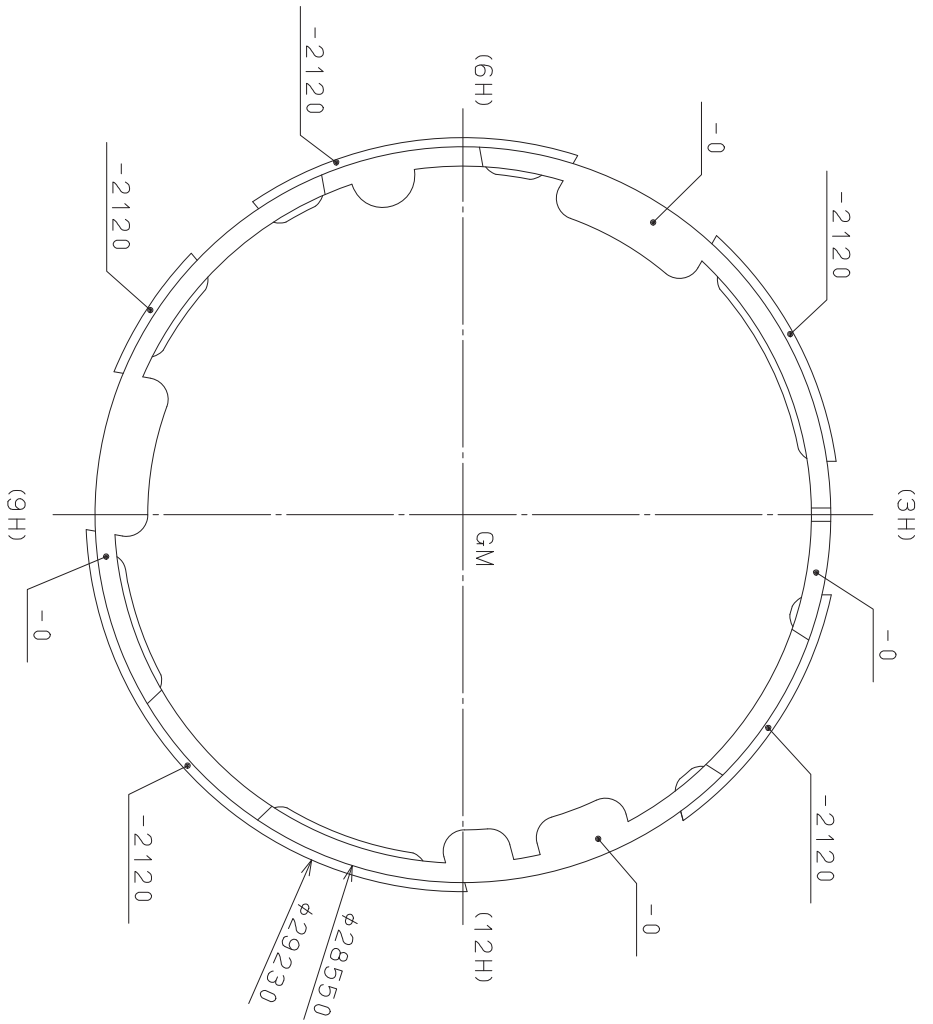
△			Quantity		Cal. NO.:
△			Unit	1 / 1000 mm	8217-21A
△			Scale	5 : 1	Parts No.:
△			Date		
△			Drawn		
Mark	Date	Description	Appr.	Checked	Name:
		Alterations	Approved	N. Suzuki	Indications for Dial
Material					Drawing No.: 8217D000
Heat Treatment			General Tolerances		
Hardness			Dimensions		
Plating			Angles		
				CITIZEN WATCH CO., LTD. TOKYO, JAPAN	

2008/11/14 (11:30:42)

This drawing is provisional and subject to our reconfirmation and/or revision without notice.



⑤			Quantity		Cal.NO.:
④			Unit	1/1000mm	
③			Scale	15:1	Parts No.:
②			Date		065-212
①			Drawn		Name:
Mark	Date	Description	Appr.	Checked	N. Suzuki
Alterations			Approved	SETTING STEM	
Material				Drawing No.: 2120S001	
Heat Treatment				General Tolerances	
Hardness				Dimensions	
Plating				Angles	
				<b>MIYOTA</b>	
				CITIZEN WATCH CO., LTD. TOKYO, JAPAN	



View CC-CC  
DD-DD, EE-EE

△	Quantity	1/1000 mm	Cal. No.:
△	Unit	5 : 1	Parts No.:
△	Scale	500-710	
△	Date		
△	Date		
△	Drawn		
Mark	Date	Appr.	Checked
Alterations	N. Suzuki		
Material	Casing Holder		
Heat Treatment	Drawing No.: 8200E002		
Hardness	General Tolerances		
Plating	Dimensions		
	Angles		
	CITIZEN WATCH CO., LTD. TOKYO, JAPAN		
	<b>MIYOTA</b>		