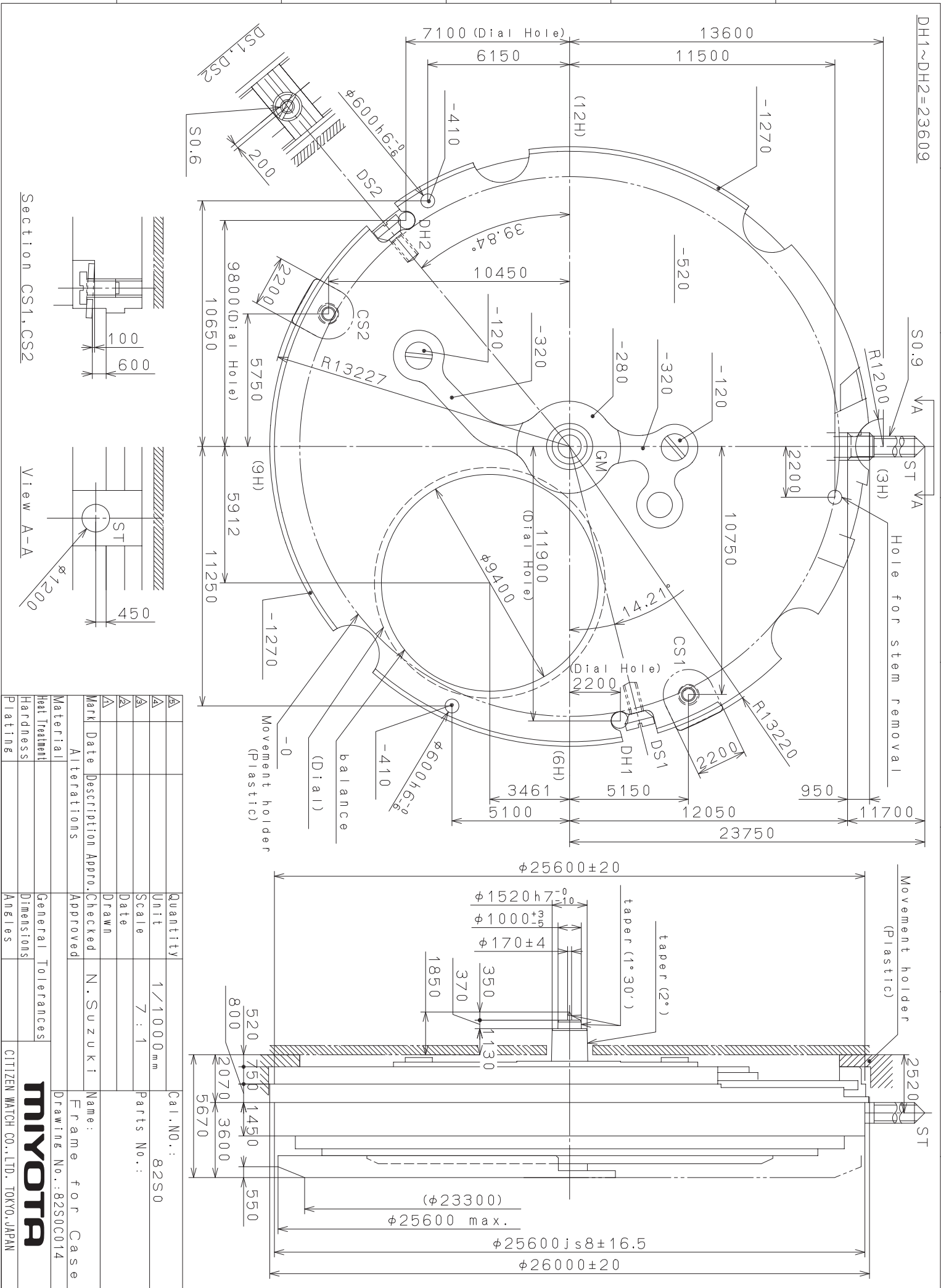


This drawing is provisional and subject to our reconfirmation and/or revision without notice.

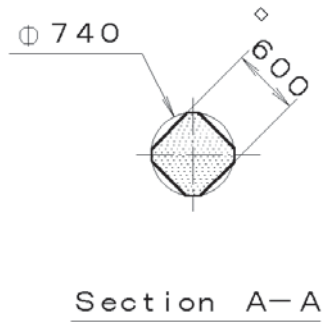


Material	Alterations	Quantity	Unit	Cal. NO.:
Heat Treatment		1/1000	mm	82S0
Hardness		Scale	7:1	Parts No.:
Plating		Date		
		Drawn		
		Checked	N. Suzuki	Name:
		Approved		Frame for Case
				Drawing No.: 82S0C014
				General Tolerances
				Dimensions
				Angles
				CITIZEN WATCH CO., LTD. TOKYO, JAPAN

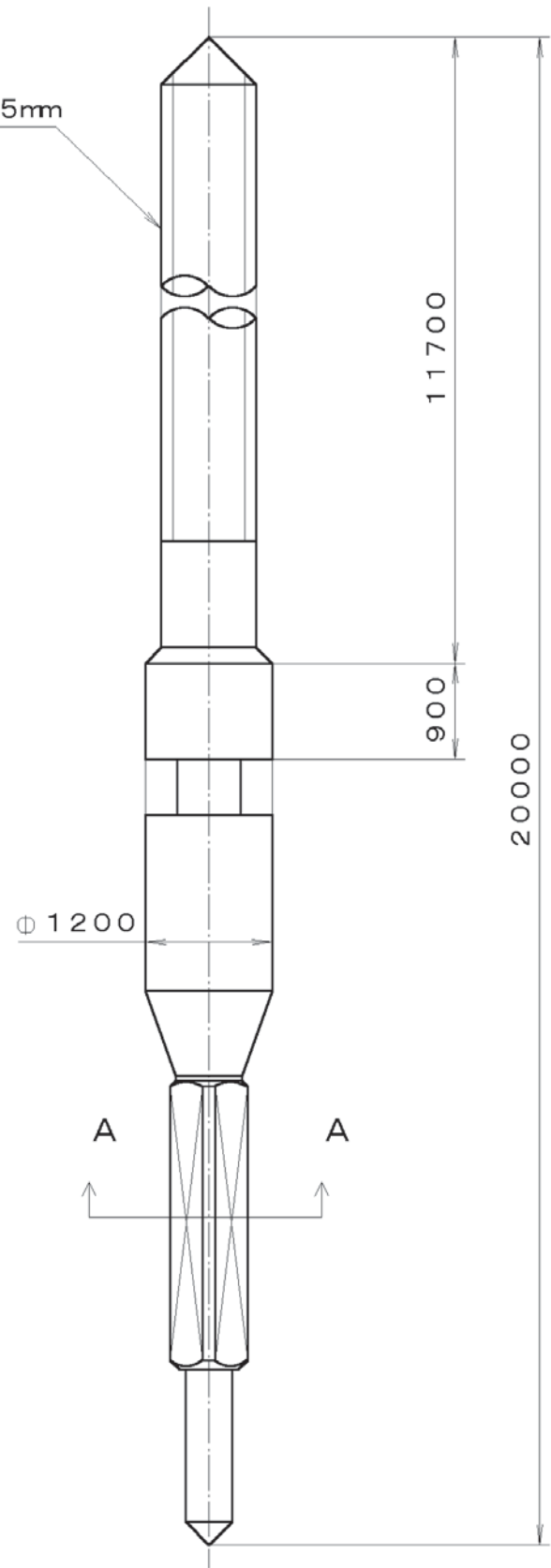
MIYOTA

This drawing is provisional and subject to our reconfirmation and/or revision without notice.

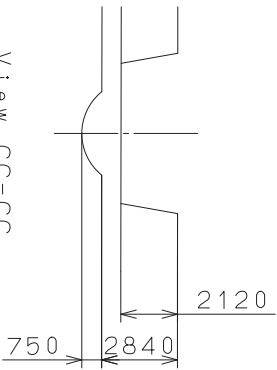
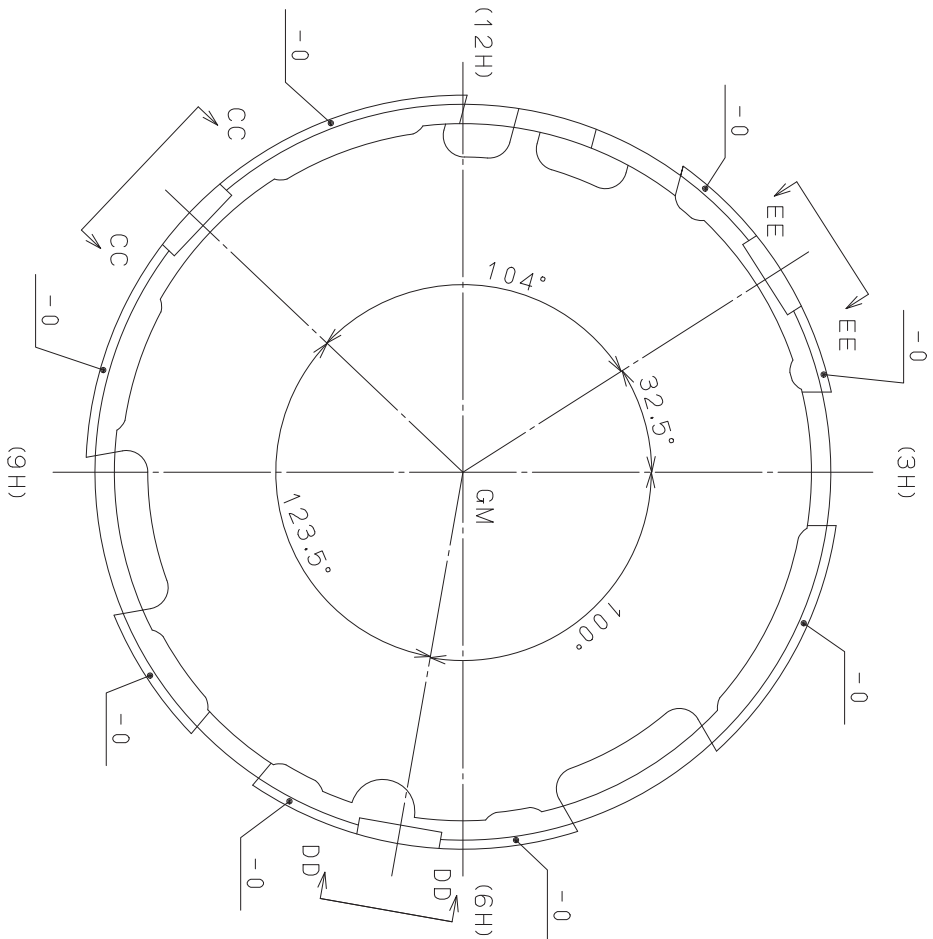
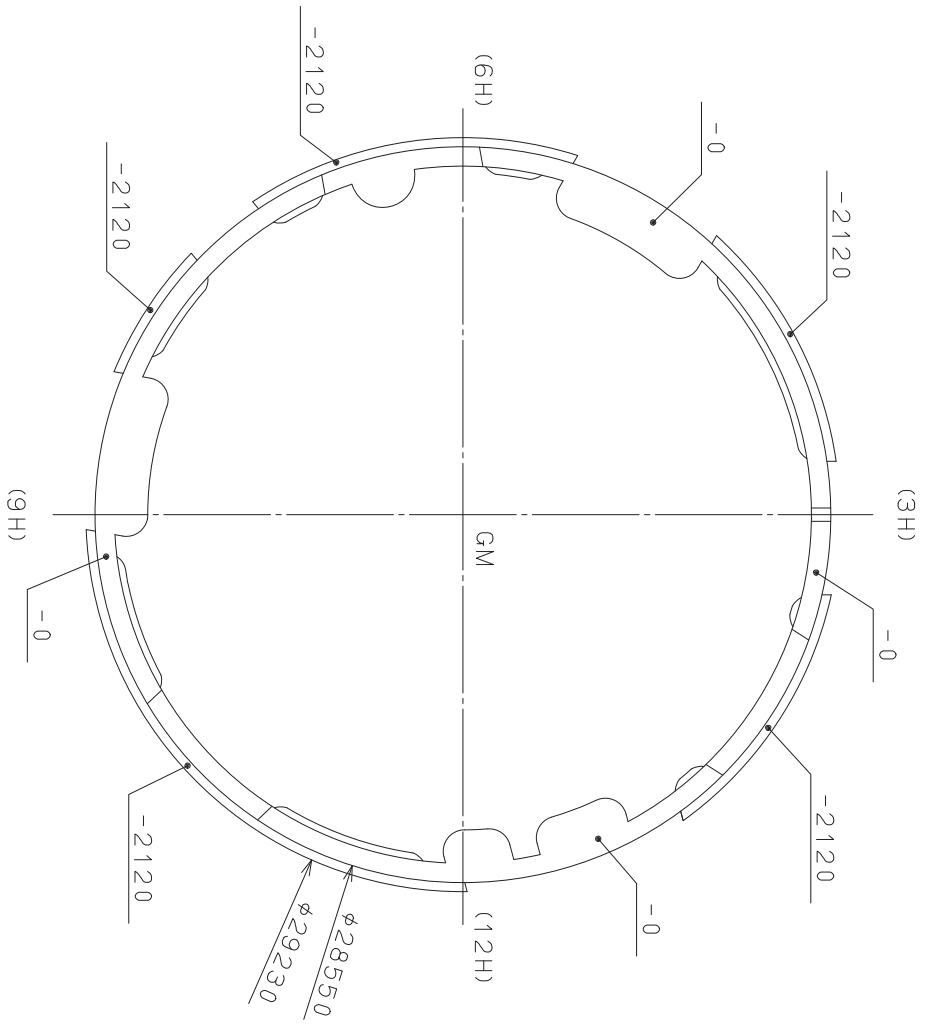
xxx T I P W (01) xxx (2100 1121) 00-09-18 065-212



S0. 9, P=0. 225mm



7		Quantity		Cal. No. :
6		Unit	1/1000 mm	Parts:
5		Scale	15:1	
4		Date		Name:
3		Drawn		
2		Checked	T. Hiruta	Drawing No. : 2120S000
1		Approved		
Material				CITIZEN WATCH CO., LTD. TOKYO, JAPAN
Heat Treatment		General Tolerances		
Hardness		Dimensions		
Plating		Angles		



View CC-CC
DD-DD, EE-EE

△	Quantity	1/1000 mm	Cal. No.:
△	Unit	5 : 1	Parts No.:
△	Scale	500-710	
△	Date		
△	Date		
△	Drawn		
Mark	Date	Description	Appr. Checked
Alterations	Approved	N. Suzuki	
Material	Name: Casing Holder		
Heat Treatment	Drawing No.: 8200E002		
Hardness	General Tolerances		
Plating	Dimensions		
	Angles		
	CITIZEN WATCH CO., LTD. TOKYO, JAPAN		

MIYOTA