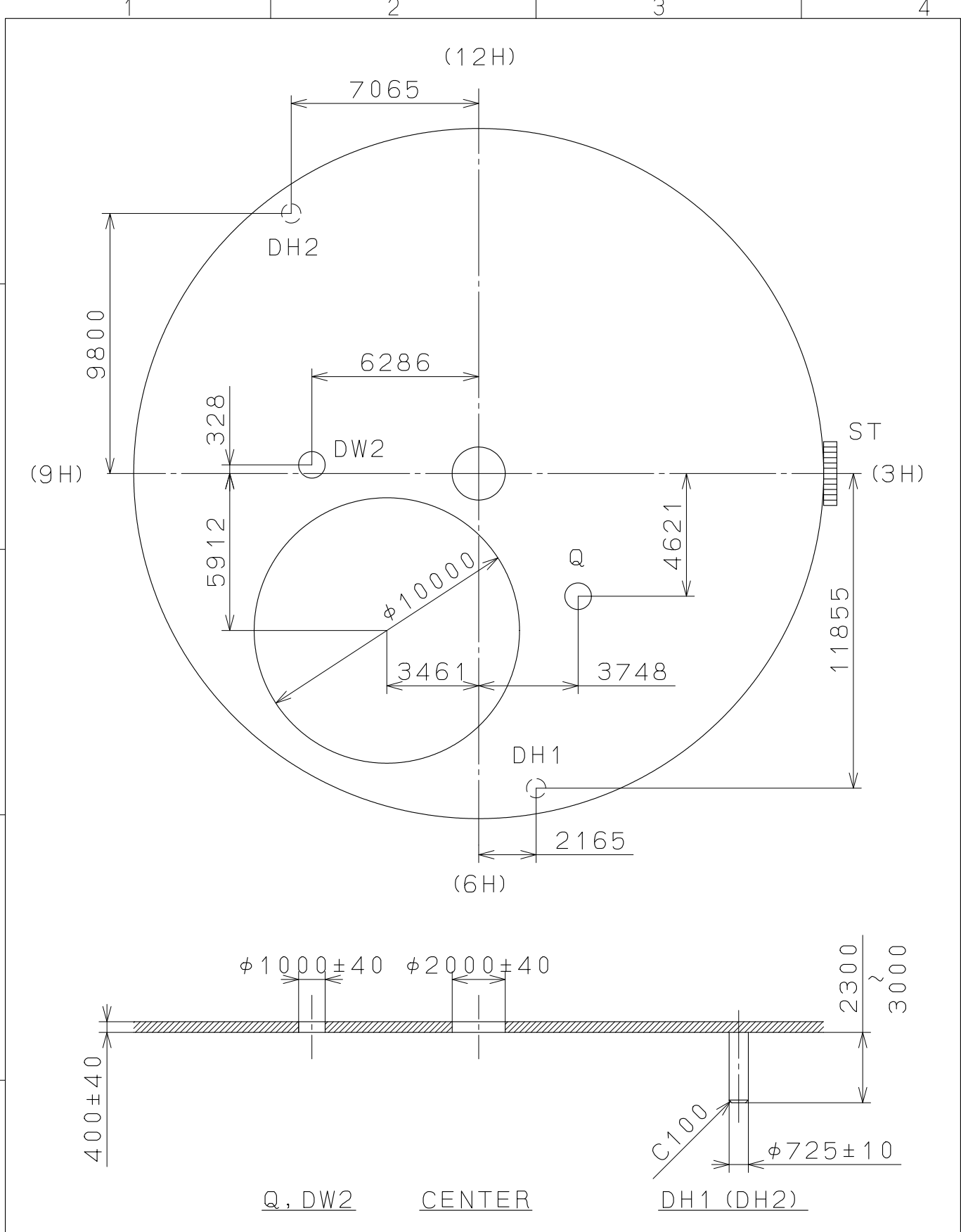


2007/10/30 (08:41:42)

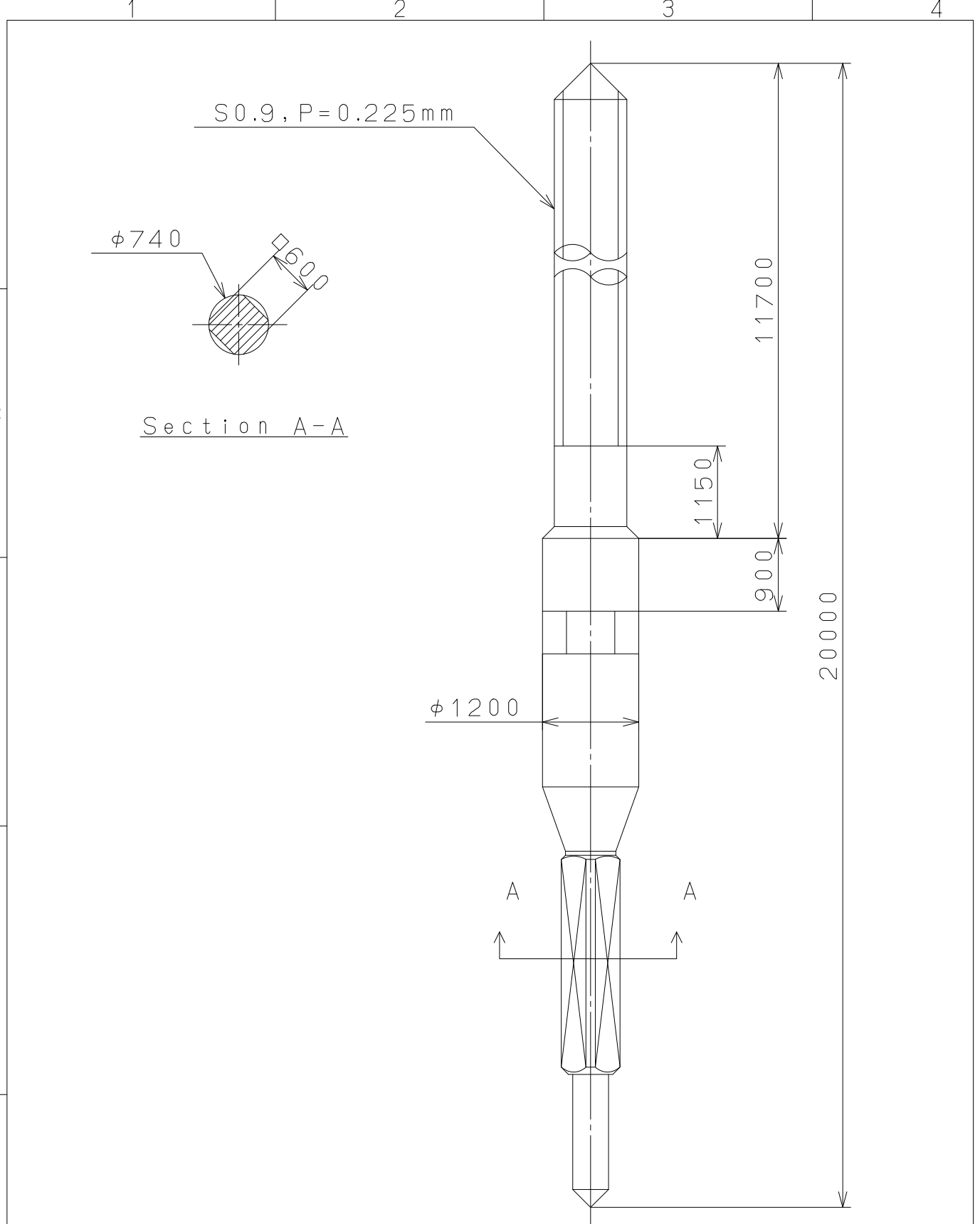
This drawing is provisional and subject to our reconfirmation and/or revision without notice.



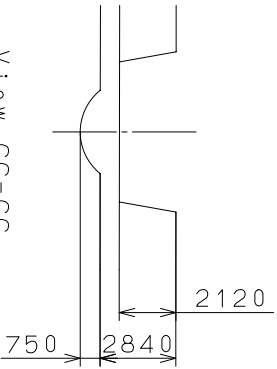
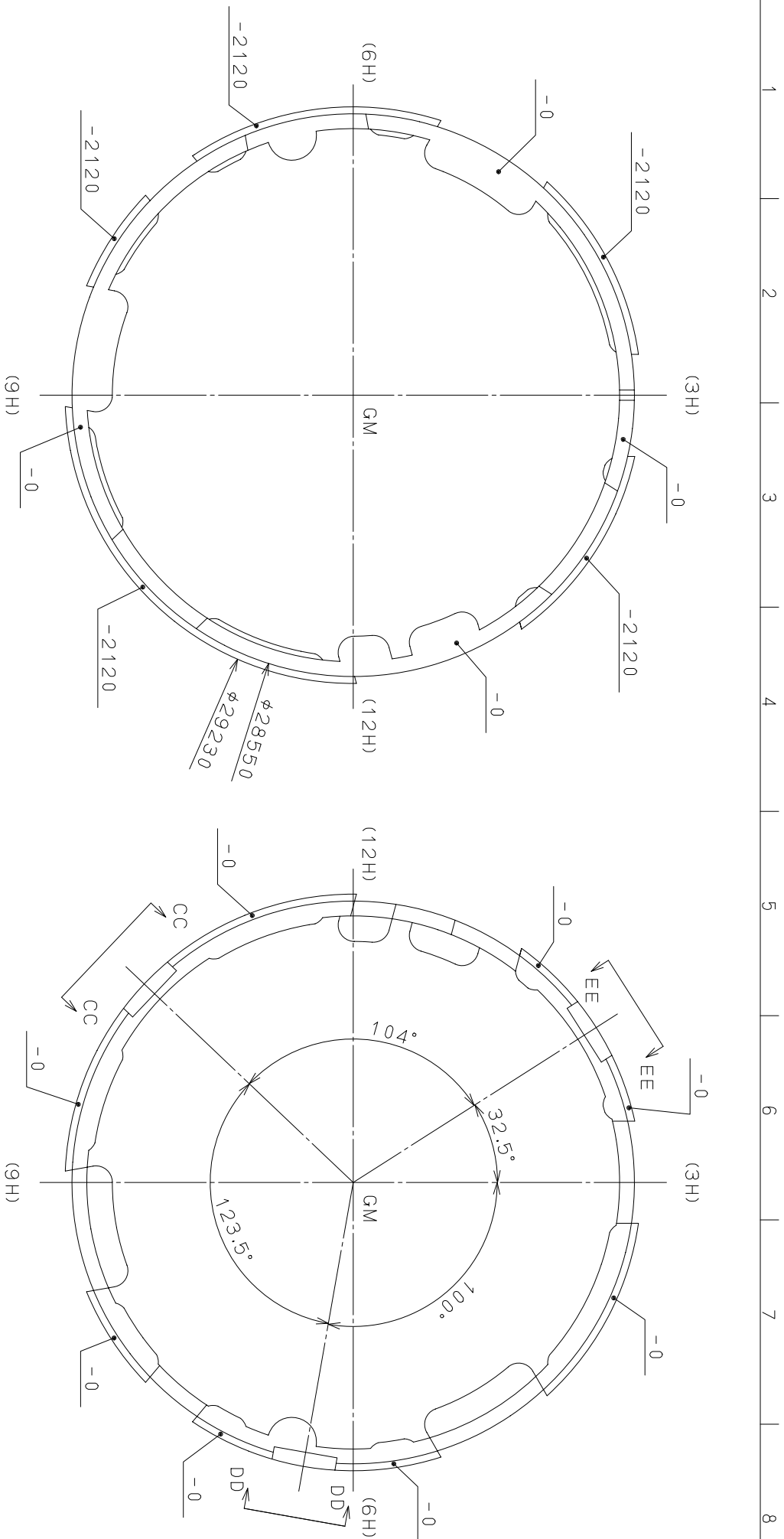
△			Quantity		Cal.NO.:
△			Unit	1/1000mm	82S7-21A
△			Scale	5:1	Parts No.:
△			Date		
△			Drawn		
Mark	Date	Description	Appr.	Checked	Name:
		Alterations		Approved	Indications for Dial
Material					Drawing No.: 82S7D000
Heat Treatment				General Tolerances	MIYOTA
Hardness				Dimensions	
Plating				Angles	
					CITIZEN WATCH CO., LTD. TOKYO, JAPAN

2008/11/14 (11:30:42)

This drawing is provisional and subject to our reconfirmation and/or revision without notice.



⑤			Quantity		Cal.NO.:
④			Unit	1 / 1000 mm	
③			Scale	15 : 1	Parts No.:
②			Date		065-212
①			Drawn		
Mark	Date	Description	Appr.	Checked	Name:
		Alterations		Approved	SETTING STEM
Material					Drawing No.: 2120S001
Heat Treatment			General Tolerances	MIYOTA CITIZEN WATCH CO., LTD. TOKYO, JAPAN	
Hardness			Dimensions		
Plating			Angles		



View CC-CC
DD-DD, EE-EE

△	Quantity	Cal. NO.:
△	Unit	1/1000 mm
△	Scale	5 : 1
△	Date	Parts No.:
△	Drawn	500-710
Mark	Date	Name:
	Description	Casing Holder
Alterations	Approved	Checked
		Approved
Material	N. Suzuki	
Heat Treatment	Drawing No.: 8200E002	
Hardness	Drawing No.: 8200E002	
Plating	Drawing No.: 8200E002	
	General Tolerances	
	Dimensions	
	Angles	
	CITIZEN WATCH CO., LTD. TOKYO, JAPAN	
	MIYOTA	